

## SUBCHAPTER C—AIR PROGRAMS (CONTINUED)

### PART 61—NATIONAL EMISSION STANDARDS FOR HAZARDOUS AIR POLLUTANTS

#### Subpart A—General Provisions

- Sec.
- 61.01 Lists of pollutants and applicability of part 61.
  - 61.02 Definitions.
  - 61.03 Units and abbreviations.
  - 61.04 Address.
  - 61.05 Prohibited activities.
  - 61.06 Determination of construction or modification.
  - 61.07 Application for approval of construction or modification.
  - 61.08 Approval of construction or modification.
  - 61.09 Notification of startup.
  - 61.10 Source reporting and waiver request.
  - 61.11 Waiver of compliance.
  - 61.12 Compliance with standards and maintenance requirements.
  - 61.13 Emission tests and waiver of emission tests.
  - 61.14 Monitoring requirements.
  - 61.15 Modification.
  - 61.16 Availability of information.
  - 61.17 State authority.
  - 61.18 Incorporations by reference.
  - 61.19 Circumvention.

#### Subpart B—National Emission Standards for Radon Emissions From Underground Uranium Mines

- 61.20 Designation of facilities.
- 61.21 Definitions.
- 61.22 Standard.
- 61.23 Determining compliance.
- 61.24 Annual reporting requirements.
- 61.25 Recordkeeping requirements.
- 61.26 Exemption from the reporting and testing requirements of 40 CFR 61.10

#### Subpart C—National Emission Standard for Beryllium

- 61.30 Applicability.
- 61.31 Definitions.
- 61.32 Emission standard.
- 61.33 Stack sampling.
- 61.34 Air sampling.

#### Subpart D—National Emission Standard for Beryllium Rocket Motor Firing

- 61.40 Applicability.
- 61.41 Definitions.
- 61.42 Emission standard.
- 61.43 Emission testing—rocket firing or propellant disposal.

- 61.44 Stack sampling.

#### Subpart E—National Emission Standard for Mercury

- 61.50 Applicability.
- 61.51 Definitions.
- 61.52 Emission standard.
- 61.53 Stack sampling.
- 61.54 Sludge sampling.
- 61.55 Monitoring of emissions and operations.
- 61.56 Delegation of authority.

#### Subpart F—National Emission Standard for Vinyl Chloride

- 61.60 Applicability.
- 61.61 Definitions.
- 61.62 Emission standard for ethylene dichloride plants.
- 61.63 Emission standard for vinyl chloride plants.
- 61.64 Emission standard for polyvinyl chloride plants.
- 61.65 Emission standard for ethylene dichloride, vinyl chloride and polyvinyl chloride plants.
- 61.66 Equivalent equipment and procedures.
- 61.67 Emission tests.
- 61.68 Emission monitoring.
- 61.69 Initial report.
- 61.70 Reporting.
- 61.71 Recordkeeping.

#### Subpart G [Reserved]

#### Subpart H—National Emission Standards for Emissions of Radionuclides Other Than Radon From Department of Energy Facilities

- 61.90 Designation of facilities.
- 61.91 Definitions.
- 61.92 Standard.
- 61.93 Emissions monitoring and test procedures.
- 61.94 Compliance and reporting.
- 61.95 Recordkeeping requirements.
- 61.96 Applications to construct or modify.
- 61.97 Exemption from the reporting and testing requirements of 40 CFR 61.10.

#### Subpart I—National Emission Standards for Radionuclide Emissions From Federal Facilities Other Than Nuclear Regulatory Commission Licensees and Not Covered by Subpart H

- 61.100 Applicability.
- 61.101 Definitions.
- 61.102 Standard.
- 61.103 Determining compliance.

**Pt. 61**

**40 CFR Ch. I (7–1–00 Edition)**

- 61.104 Reporting requirements.
- 61.105 Recordkeeping requirements.
- 61.106 Applications to construct or modify.
- 61.107 Emission determination.
- 61.108 Exemption from the reporting and testing requirements of 40 CFR 61.10.

**Subpart J—National Emission Standard for Equipment Leaks (Fugitive Emission Sources) of Benzene**

- 61.110 Applicability and designation of sources.
- 61.111 Definitions.
- 61.112 Standards.

**Subpart K—National Emission Standards for Radionuclide Emissions From Elemental Phosphorus Plants**

- 61.120 Applicability.
- 61.121 Definitions.
- 61.122 Emission standard.
- 61.123 Emission testing.
- 61.124 Recordkeeping requirements.
- 61.125 Test methods and procedures.
- 61.126 Monitoring of operations.
- 61.127 Exemption from the reporting and testing requirements of 40 CFR 61.10.

**Subpart L—National Emission Standard for Benzene Emissions from Coke By-Product Recovery Plants**

- 61.130 Applicability, designation of sources, and delegation of authority.
- 61.131 Definitions.
- 61.132 Standard: Process vessels, storage tanks, and tar-intercepting sumps.
- 61.133 Standard: Light-oil sumps.
- 61.134 Standard: Naphthalene processing, final coolers, and final-cooler cooling towers.
- 61.135 Standard: Equipment leaks.
- 61.136 Compliance provisions and alternative means of emission limitation.
- 61.137 Test methods and procedures.
- 61.138 Recordkeeping and reporting requirements.
- 61.139 Provisions for alternative means for process vessels, storage tanks, and tar-intercepting sumps.

**Subpart M—National Emission Standard for Asbestos**

- 61.140 Applicability.
- 61.141 Definitions.
- 61.142 Standard for asbestos mills.
- 61.143 Standard for roadways.
- 61.144 Standard for manufacturing.
- 61.145 Standard for demolition and renovation.
- 61.146 Standard for spraying.
- 61.147 Standard for fabricating.
- 61.148 Standard for insulating materials.

- 61.149 Standard for waste disposal for asbestos mills.
- 61.150 Standard for waste disposal for manufacturing, fabricating, demolition, renovation, and spraying operations.
- 61.151 Standard for inactive waste disposal sites for asbestos mills and manufacturing and fabricating operations.
- 61.152 Air-cleaning.
- 61.153 Reporting.
- 61.154 Standard for active waste disposal sites.
- 61.155 Standard for operations that convert asbestos-containing waste material into nonasbestos (asbestos-free) material.
- 61.156 Cross-reference to other asbestos regulations.
- 61.157 Delegation of authority.

**APPENDIX A TO SUBPART M—INTERPRETIVE RULE GOVERNING ROOF REMOVAL OPERATIONS**

**Subpart N—National Emission Standard for Inorganic Arsenic Emissions From Glass Manufacturing Plants**

- 61.160 Applicability and designation of source.
- 61.161 Definitions.
- 61.162 Emission limits.
- 61.163 Emission monitoring.
- 61.164 Test methods and procedures.
- 61.165 Reporting and recordkeeping requirements.

**Subpart O—National Emission Standard for Inorganic Arsenic Emissions From Primary Copper Smelters**

- 61.170 Applicability and designation of source.
- 61.171 Definitions.
- 61.172 Standard for new and existing sources.
- 61.173 Compliance provisions.
- 61.174 Test methods and procedures.
- 61.175 Monitoring requirements.
- 61.176 Recordkeeping requirements.
- 61.177 Reporting requirements.

**Subpart P—National Emission Standard for Inorganic Arsenic Emissions From Arsenic Trioxide and Metallic Arsenic Production Facilities**

- 61.180 Applicability and designation of sources.
- 61.181 Definitions.
- 61.182 Standard for new and existing sources.
- 61.183 Emission monitoring.
- 61.184 Ambient air monitoring for inorganic arsenic.
- 61.185 Recordkeeping requirements.
- 61.186 Reporting requirements.

## Environmental Protection Agency

Pt. 61

### Subpart Q—National Emission Standards for Radon Emissions From Department of Energy Facilities

- 61.190 Designation of facilities.
- 61.191 Definitions.
- 61.192 Standard.
- 61.193 Exemption from the reporting and testing requirements of 40 CFR 61.10.

### Subpart R—National Emission Standards for Radon Emissions From Phosphogypsum Stacks

- 61.200 Designation of facilities.
- 61.201 Definitions.
- 61.202 Standard.
- 61.203 Radon monitoring and compliance procedures.
- 61.204 Distribution and use of phosphogypsum for outdoor agricultural purposes.
- 61.205 Distribution and use of phosphogypsum for indoor research and development.
- 61.206 Distribution and use of phosphogypsum for other purposes.
- 61.207 Radium-226 sampling and measurement procedures.
- 61.208 Certification requirements.
- 61.209 Required records.
- 61.210 Exemption from the reporting and testing requirements of 40 CFR 61.10.

#### Subpart S [Reserved]

### Subpart T—National Emission Standards for Radon Emissions From the Disposal of Uranium Mill Tailings

- 61.220 Designation of facilities.
- 61.221 Definitions.
- 61.222 Standard.
- 61.223 Compliance procedures.
- 61.224 Recordkeeping requirements.
- 61.225 Exemption from the reporting and testing requirements of 40 CFR 61.10.
- 61.226 Reconsideration of rescission and reinstatement of this subpart.

#### Subpart U [Reserved]

### Subpart V—National Emission Standard for Equipment Leaks (Fugitive Emission Sources)

- 61.240 Applicability and designation of sources.
- 61.241 Definitions.
- 61.242-1 Standards: General.
- 61.242-2 Standards: Pumps.
- 61.242-3 Standards: Compressors.
- 61.242-4 Standards: Pressure relief devices in gas/vapor service.
- 61.242-5 Standards: Sampling connection systems.

- 61.242-6 Standards: Open-ended valves or lines.
- 61.242-7 Standards: Valves.
- 61.242-8 Standards: Pressure relief devices in liquid service and flanges and other connectors.
- 61.242-9 Standards: Product accumulator vessels.
- 61.242-10 Standards: Delay of repair.
- 61.242-11 Standards: Closed-vent systems and control devices.
- 61.243-1 Alternative standards for valves in VHAP Service—allowable percentage of valves leaking.
- 61.243-2 Alternative standards for valves in VHAP service—skip period leak detection and repair.
- 61.244 Alternative means of emission limitation.
- 61.245 Test methods and procedures.
- 61.246 Recordkeeping requirements.
- 61.247 Reporting requirements.

### Subpart W—National Emission Standards for Radon Emissions From Operating Mill Tailings

- 61.250 Designation of facilities.
- 61.251 Definitions.
- 61.252 Standard.
- 61.253 Determining compliance.
- 61.254 Annual reporting requirements.
- 61.255 Recordkeeping requirements.
- 61.256 Exemption from the reporting and testing requirements of 40 CFR 61.10.

#### Subpart X [Reserved]

### Subpart Y—National Emission Standard for Benzene Emissions From Benzene Storage Vessels

- 61.270 Applicability and designation of sources.
- 61.271 Emission standard.
- 61.272 Compliance provisions.
- 61.273 Alternative means of emission limitation.
- 61.274 Initial report.
- 61.275 Periodic report.
- 61.276 Recordkeeping.
- 61.277 Delegation of authority.

#### Subparts Z-AA [Reserved]

### Subpart BB—National Emission Standard for Benzene Emissions From Benzene Transfer Operations

- 61.300 Applicability.
- 61.301 Definitions.
- 61.302 Standards.
- 61.303 Monitoring requirements.
- 61.304 Test methods and procedures.
- 61.305 Reporting and recordkeeping.
- 61.306 Delegation of authority.

§ 61.01

40 CFR Ch. I (7-1-00 Edition)

Subparts CC-EE [Reserved]

Subpart FF—National Emission Standard for Benzene Waste Operations

- 61.340 Applicability.
- 61.341 Definitions.
- 61.342 Standards: General.
- 61.343 Standards: Tanks.
- 61.344 Standards: Surface impoundments.
- 61.345 Standards: Containers.
- 61.346 Standards: Individual drain systems.
- 61.347 Standards: Oil-water separators.
- 61.348 Standards: Treatment processes.
- 61.349 Standards: Closed-vent systems and control devices.
- 61.350 Standards: Delay of repair.
- 61.351 Alternative standards for tanks.
- 61.352 Alternative standards for oil-water separators.
- 61.353 Alternative means of emission limitation.
- 61.354 Monitoring of operations.
- 61.355 Test methods, procedures, and compliance provisions.
- 61.356 Recordkeeping requirements.
- 61.357 Reporting requirements.
- 61.358 Delegation of authority.
- 61.359 [Reserved]

- APPENDIX A TO PART 61—NATIONAL EMISSION STANDARDS FOR HAZARDOUS AIR POLLUTANTS, COMPLIANCE STATUS INFORMATION
- APPENDIX B TO PART 61—TEST METHODS
- APPENDIX C TO PART 61—QUALITY ASSURANCE PROCEDURES
- APPENDIX D TO PART 61—METHODS FOR ESTIMATING RADIONUCLIDE EMISSIONS
- APPENDIX E TO PART 61—COMPLIANCE PROCEDURES METHODS FOR DETERMINING COMPLIANCE WITH SUBPART I

AUTHORITY: 42 U.S.C. 7401, 7412, 7413, 7414, 7416, 7601 and 7602.

SOURCE: 38 FR 8826, Apr. 6, 1973, unless otherwise noted.

Subpart A—General Provisions

§ 61.01 Lists of pollutants and applicability of part 61.

(a) The following list presents the substances that, pursuant to section 112 of the Act, have been designated as hazardous air pollutants. The FEDERAL REGISTER citations and dates refer to the publication in which the listing decision was originally published.

- Asbestos (36 FR 5931; Mar. 31, 1971)
- Benzene (42 FR 29332; June 8, 1977)
- Beryllium (36 FR 5931; Mar. 31, 1971)
- Coke Oven Emissions (49 FR 36560; Sept. 18, 1984)
- Inorganic Arsenic (45 FR 37886; June 5, 1980)
- Mercury (36 FR 5931; Mar. 31, 1971)

- Radionuclides (44 FR 76738; Dec. 27, 1979)
- Vinyl Chloride (40 FR 59532; Dec. 24, 1975)

(b) The following list presents other substances for which a FEDERAL REGISTER notice has been published that included consideration of the serious health effects, including cancer, from ambient air exposure to the substance.

- Acrylonitrile (50 FR 24319; June 10, 1985)
- 1,3-Butadiene (50 FR 41466; Oct. 10, 1985)
- Cadmium (50 FR 42000; Oct. 16, 1985)
- Carbon Tetrachloride (50 FR 32621; Aug. 13, 1985)
- Chlorinated Benzenes (50 FR 32628; Aug. 13, 1985)
- Chlorofluorocarbon—113 (50 FR 24313; June 10, 1985)
- Chloroform (50 FR 39626; Sept. 27, 1985)
- Chloroprene (50 FR 39632; Sept. 27, 1985)
- Chromium (50 FR 24317; June 10, 1985)
- Copper (52 FR 5496; Feb. 23, 1987)
- Epichlorohydrin (50 FR 24575; June 11, 1985)
- Ethylene Dichloride (50 FR 41994; Oct. 16, 1985)
- Ethylene Oxide (50 FR 40286; Oct. 2, 1985)
- Hexachlorocyclopentadiene (50 FR 40154; Oct. 1, 1985)
- Manganese (50 FR 32627; Aug. 13, 1985)
- Methyl Chloroform (50 FR 24314; June 10, 1985)
- Methylene Chloride (50 FR 42037; Oct. 17, 1985)
- Nickel (51 FR 34135; Sept. 25, 1986)
- Perchloroethylene (50 FR 52800; Dec. 26, 1985)
- Phenol (51 FR 22854; June 23, 1986)
- Polycyclic Organic Matter (49 FR 31680; Aug. 8, 1984)
- Toluene (49 FR 22195; May 25, 1984)
- Trichloroethylene (50 FR 52422; Dec. 23, 1985)
- Vinylidene Chloride (50 FR 32632; Aug. 13, 1985)
- Zinc and Zinc Oxide (52 FR 32597, Aug. 28, 1987)

(c) This part applies to the owner or operator of any stationary source for which a standard is prescribed under this part.

(d) In addition to complying with the provisions of this part, the owner or operator of a stationary source subject to a standard in this part may be required to obtain an operating permit issued to stationary sources by an authorized State air pollution control agency or by the Administrator of the U.S. Environmental Protection Agency (EPA) pursuant to title V of the Clean Air Act (Act) as amended November 15,

## Environmental Protection Agency

## § 61.02

1990 (42 U.S.C. 7661). For more information about obtaining an operating permit see part 70 of this chapter.

[50 FR 46290, Nov. 7, 1985, as amended at 51 FR 7715 and 7719, Mar. 5, 1986; 51 FR 11022, Apr. 1, 1986; 52 FR 37617, Oct. 8, 1987; 59 FR 12429, Mar. 16, 1994]

### § 61.02 Definitions.

The terms used in this part are defined in the Act or in this section as follows:

*Act* means the Clean Air Act (42 U.S.C. 7401 *et seq.*).

*Administrator* means the Administrator of the Environmental Protection Agency or his authorized representative.

*Alternative method* means any method of sampling and analyzing for an air pollutant which is not a reference method but which has been demonstrated to the Administrator's satisfaction to produce results adequate for the Administrator's determination of compliance.

*Approved permit program* means a State permit program approved by the Administrator as meeting the requirements of part 70 of this chapter or a Federal permit program established in this chapter pursuant to title V of the Act (42 U.S.C. 7661).

*Capital expenditure* means an expenditure for a physical or operational change to a stationary source which exceeds the product of the applicable "annual asset guideline repair allowance percentage" specified in the latest edition of Internal Revenue Service (IRS) Publication 534 and the stationary source's basis, as defined by section 1012 of the Internal Revenue Code. However, the total expenditure for a physical or operational change to a stationary source must not be reduced by any "excluded additions" as defined for stationary sources constructed after December 31, 1981, in IRS Publication 534, as would be done for tax purposes. In addition, "annual asset guideline repair allowance" may be used even though it is excluded for tax purposes in IRS Publication 534.

*Commenced* means, with respect to the definition of "new source" in section 111(a)(2) of the Act, that an owner or operator has undertaken a continuous program of construction or modi-

fication or that an owner or operator has entered into a contractual obligation to undertake and complete, within a reasonable time, a continuous program of construction or modification.

*Compliance schedule* means the date or dates by which a source or category of sources is required to comply with the standards of this part and with any steps toward such compliance which are set forth in a waiver of compliance under § 61.11.

*Construction* means fabrication, erection, or installation of an affected facility.

*Effective date* is the date of promulgation in the FEDERAL REGISTER of an applicable standard or other regulation under this part.

*Existing source* means any stationary source which is not a new source.

*Issuance* of a part 70 permit will occur, if the State is the permitting authority, in accordance with the requirements of part 70 of this chapter and the applicable, approved State permit program. When the EPA is the permitting authority, issuance of a title V permit occurs immediately after the EPA takes final action on the final permit.

*Monitoring system* means any system, required under the monitoring sections in applicable subparts, used to sample and condition (if applicable), to analyze, and to provide a record of emissions or process parameters.

*New source* means any stationary source, the construction or modification of which is commenced after the publication in the FEDERAL REGISTER of proposed national emission standards for hazardous air pollutants which will be applicable to such source.

*Owner or operator* means any person who owns, leases, operates, controls, or supervises a stationary source.

*Part 70 permit* means any permit issued, renewed, or revised pursuant to part 70 of this chapter.

*Permit program* means a comprehensive State operating permit system established pursuant to title V of the Act (42 U.S.C. 7661) and regulations codified in part 70 of this chapter and applicable State regulations, or a comprehensive Federal operating permit system established pursuant to title V of the Act

### §61.03

### 40 CFR Ch. I (7-1-00 Edition)

and regulations codified in this chapter.

*Permitting authority* means:

(1) The State air pollution control agency, local agency, other State agency, or other agency authorized by the Administrator to carry out a permit program under part 70 of this chapter; or

(2) The Administrator, in the case of EPA-implemented permit programs under title V of the Act (42 U.S.C. 7661).

*Reference method* means any method of sampling and analyzing for an air pollutant, as described in Appendix B to this part.

*Run* means the net period of time during which an emission sample is collected. Unless otherwise specified, a run may be either intermittent or continuous within the limits of good engineering practice.

*Standard* means a national emission standard including a design, equipment, work practice or operational standard for a hazardous air pollutant proposed or promulgated under this part.

*Startup* means the setting in operation of a stationary source for any purpose.

*State* means all non-Federal authorities, including local agencies, interstate associations, and State-wide programs, that have delegated authority to implement:

(1) The provisions of this part; and/or

(2) The permit program established under part 70 of this chapter. The term State shall have its conventional meaning where clear from the context.

*Stationary source* means any building, structure, facility, or installation which emits or may emit any air pollutant which has been designated as hazardous by the Administrator.

*Title V permit* means any permit issued, renewed, or revised pursuant to Federal or State regulations established to implement title V of the Act (42 U.S.C. 7661). A title V permit issued by a State permitting authority is called a part 70 permit in this part.

[44 FR 55174, Sept. 25, 1979, as amended at 50 FR 46290, Nov. 7, 1985; 59 FR 12429, Mar. 16, 1994]

### §61.03 Units and abbreviations.

Used in this part are abbreviations and symbols of units of measure. These are defined as follows:

(a) System International (SI) units of measure:

A=ampere  
g=gram  
Hz=hertz  
J=joule  
K=degree Kelvin  
kg=kilogram  
m=meter  
m<sup>2</sup>=square meter  
m<sup>3</sup>=cubic meter  
mg=milligram=10<sup>-3</sup>gram  
mm=millimeter=10<sup>-3</sup>meter  
Mg=megagram=10<sup>-6</sup>gram  
mol=mole  
N=newton  
ng=nanogram=10<sup>-9</sup>gram  
nm=nanometer=10<sup>-9</sup>meter  
Pa=pascal  
s=second  
V=volt  
W=watt  
Ω=ohm  
μg=microgram=10<sup>-6</sup>gram

(b) Other units of measure:

°C=degree Celsius (centigrade)  
cfm=cubic feet per minute  
cc=cubic centimeter  
Ci=curie  
d=day  
°F=degree Fahrenheit  
ft<sup>2</sup>=square feet  
ft<sup>3</sup>=cubic feet  
gal=gallon  
in=inch  
in Hg=inches of mercury  
in H<sub>2</sub>O=inches of water  
l=liter  
lb=pound  
lpm=liter per minute  
min=minute  
ml=milliliter=10<sup>-3</sup>liter  
mrem=millirem=10<sup>-3</sup>rem  
oz=ounces  
pCi=picocurie=10<sup>-12</sup>curie  
psig=pounds per square inch gage  
°R=degree Rankine  
μl=microliter=10<sup>-6</sup>liter  
v/v=volume per volume  
yd<sup>2</sup>=square yards  
yr=year

(c) Chemical nomenclature:

Be=beryllium  
Hg=mercury  
H<sub>2</sub>O=water

(d) Miscellaneous:

act=actual

## Environmental Protection Agency

## § 61.04

avg=average  
I.D.=inside diameter  
M=molar  
N=normal  
O.D.=outside diameter  
%=percent  
std=standard

[42 FR 51574, Sept. 29, 1977, as amended at 54 FR 51704, Dec. 15, 1989]

### § 61.04 Address.

(a) All requests, reports, applications, submittals, and other communications to the Administrator pursuant to this part shall be submitted in duplicate to the appropriate Regional Office of the U.S. Environmental Protection Agency to the attention of the Director of the Division indicated in the following list of EPA Regional Offices.

Region I (Connecticut, Maine, Massachusetts, New Hampshire, Rhode Island, Vermont), Director, Air Management Division, U.S. Environmental Protection Agency, John F. Kennedy Federal Building, Boston, MA 02203.

Region II (New Jersey, New York, Puerto Rico, Virgin Islands), Director, Air and Waste Management Division, U.S. Environmental Protection Agency, Federal Office Building, 26 Federal Plaza (Foley Square), New York, NY 10278.

Region III (Delaware, District of Columbia, Maryland, Pennsylvania, Virginia, West Virginia), Director, Air and Waste Management Division, U.S. Environmental Protection Agency, Curtis Building, Sixth and Walnut Streets, Philadelphia, PA 19106.

Region IV (Alabama, Florida, Georgia, Kentucky, Mississippi, North Carolina, South Carolina, Tennessee), Director, Air and Waste Management Division, U.S. Environmental Protection Agency, 345 Courtland Street, NE., Atlanta, GA 30365.

Region V (Illinois, Indiana, Michigan, Minnesota, Ohio, Wisconsin), Director, Air and Radiation Division, U.S. Environmental Protection Agency, 77 West Jackson Boulevard, Chicago, IL 60604-3590.

Region VI (Arkansas, Louisiana, New Mexico, Oklahoma, Texas); Director, Air, Pesticides, and Toxics Division; U.S. Environmental Protection Agency, 1445 Ross Avenue, Dallas, TX 75202.

Region VII (Iowa, Kansas, Missouri, Nebraska), Director, Air and Toxics Division, U.S. Environmental Protection Agency, 726 Minnesota Avenue, Kansas City, KS 66101.

Region VIII (Colorado, Montana, North Dakota, South Dakota, Utah, Wyoming), Director, Air and Waste Management Division, U.S. Environmental Protection Agency, 1860 Lincoln Street, Denver, CO 80295.

Region IX (American Samoa, Arizona, California, Guam, Hawaii, Nevada), Director, Air and Waste Management Division, U.S. Environmental Protection Agency, 215 Fremont Street, San Francisco, CA 94105.

Region X (Alaska, Idaho, Oregon, Washington), Director, Office of Air Quality, U.S. Environmental Protection Agency, 1200 Sixth Avenue (OAQ-107), Seattle, WA 98101.

(b) Section 112(d) of the Act directs the Administrator to delegate to each State, when appropriate, the authority to implement and enforce national emission standards for hazardous air pollutants for stationary sources located in such State. If the authority to implement and enforce a standard under this part has been delegated to a State, all information required to be submitted to EPA under paragraph (a) of this section shall also be submitted to the appropriate State agency (provided, that each specific delegation may exempt sources from a certain Federal or State reporting requirement). The Administrator may permit all or some of the information to be submitted to the appropriate State agency only, instead of to EPA and the State agency. If acceptable to both the Administrator and the owner or operator of a source, notifications and reports may be submitted on electronic media. The appropriate mailing address for those States whose delegation request has been approved is as follows:

(A) [Reserved]

(B) State of Alabama, Air Pollution Control Division, Air Pollution Control Commission, 645 S. McDonough Street, Montgomery, AL 36104.

(C) State of Alaska, Department of Environmental Conservation (ADEC), 410 Willoughby Avenue, Suite 105, Juneau, AK 99801-1795.

NOTE: For a table listing ADEC's delegation status, see paragraph (c)(10) of this section.

(D) Arizona.

Arizona Department of Health Services, 1740 West Adams Street, Phoenix, AZ 85007.

Maricopa County Department of Health Services, Bureau of Air Pollution Control, 1825 East Roosevelt Street, Phoenix, AZ 85006.

Pima County Health Department, Air Quality Control District, 151 West Congress, Tucson, AZ 85701.

(E) State of Arkansas: Chief, Division of Air Pollution Control, Arkansas Department

**§61.04****40 CFR Ch. I (7-1-00 Edition)**

of Pollution Control and Ecology, 8001 National Drive, P.O. Box 9583, Little Rock, AR 72209.

(F) California.

Amador County Air Pollution Control District, P.O. Box 430, 810 Court Street, Jackson, CA 95642.

Bay Area Air Pollution Control District, 939 Ellis Street, San Francisco, CA 94109.

Butte County Air Pollution Control District, P.O. Box 1229, 316 Nelson Avenue, Oroville, CA 95965.

Calaveras County Air Pollution Control District, Government Center, El Dorado Road, San Andreas, CA 95249.

Colusa County Air Pollution Control District, 751 Fremont Street, Colusa, CA 95952.

El Dorado Air Pollution Control District, 330 Fair Lane, Placerville, CA 95667.

Fresno County Air Pollution Control District, 1221 Fulton Mall, Fresno, CA 93721.

Glenn County Air Pollution Control District, P.O. Box 351, 720 North Colusa Street, Willows, CA 95988.

Great Basin Unified Air Pollution Control District, 157 Short Street, suite 6, Bishop, CA 93514.

Imperial County Air Pollution Control District, County Services Building, 939 West Main Street, El Centro, CA 92243.

Kern County Air Pollution Control District, 1601 H Street, suite 250, Bakersfield, CA 93301.

Kings County Air Pollution Control District, 330 Campus Drive, Hanford, CA 93230.

Lake County Air Pollution Control District, 255 North Forbes Street, Lakeport, CA 95453.

Lassen County Air Pollution Control District, 175 Russell Avenue, Susanville, CA 96130.

Madera County Air Pollution Control District, 135 West Yosemite Avenue, Madera, CA 93637.

Mariposa County Air Pollution Control District, Box 5, Mariposa, CA 95338.

Mendocino County Air Pollution Control District, County Courthouse, Ukiah, CA 94582.

Merced County Air Pollution Control District, P.O. Box 471, 240 East 15th Street, Merced, CA 95340.

Modoc County Air Pollution Control District, 202 West 4th Street, Alturas, CA 96101.

Monterey Bay Unified Air Pollution Control, 1164 Monroe Street, Suite 10, Salinas, CA 93906.

Nevada County Air Pollution Control District, H.E.W. Complex, Nevada City, CA 95959.

North Coast Unified Air Quality Management District, 5630 South Broadway, Eureka CA 95501.

Northern Sonoma County Air Pollution Control District, 134 "A" Avenue, Auburn, CA 95448.

Placer County Air Pollution Control District, 11491 "B" Avenue, Auburn, CA 95603.

Plumas County Air Pollution Control District, P.O. Box 480, Quincy, CA 95971.

Sacramento County Air Pollution Control District, 3701 Branch Center Road, Sacramento, CA 95827.

San Bernardino County Air Pollution Control District, 15579-8th, Victorville, CA 92392.

San Diego County Air Pollution Control District, 9150 Chesapeake Drive, San Diego, CA 92123.

San Joaquin County Air Pollution Control District, 1601 East Hazelton Street (P.O. Box 2009), Stockton, CA 95201.

San Luis Obispo County Air Pollution Control District, P.O. Box 637, San Luis Obispo, CA 93406.

Santa Barbara County Air Pollution Control District, 315 Camino del Rimedio, Santa Barbara, CA 93110.

Shasta County Air Pollution Control District, 2650 Hospital Lane, Redding, CA 96001.

Sierra County Air Pollution Control District, P.O. Box 286, Downieville, CA 95936.

Siskiyou County Air Pollution Control District, 525 South Foothill Drive, Yreka, CA 96097.

South Coast Air Quality Management District, 9150 Flair Drive, El Monte, CA 91731.

Stanislaus County Air Pollution Control District, 1030 Scenic Drive, Modesto, CA 95350.

Sutter County Air Pollution Control District, Sutter County Office Building, 142 Garden Highway, Yuba City, CA 95991.

Tehama County Air Pollution Control District, P.O. Box 38, 1760 Walnut Street, Red Bluff, CA 96080.

Tulare County Air Pollution Control District, County Civic Center, Visalia, CA 93277.

Tuolumne County Air Pollution Control District, 9 North Washington Street, Sonora, CA 95370.

Ventura County Air Pollution Control District, 800 South Victoria Avenue, Ventura, CA 93009.

Yolo-Solano Air Pollution Control District, P.O. Box 1006, 323 First Street, i5, Woodland, CA 95695.

(G) State of Colorado, Department of Health, Air Pollution Control Division, 4210 East 11th Avenue, Denver, CO 80220.

NOTE: For a table listing Region VIII's NESHAPs delegation status, see paragraph (c) of this section.

(H) State of Connecticut, Bureau of Air Management, Department of Environmental Protection, State Office Building, 165 Capitol Avenue, Hartford, CT 06106.

(I) State of Delaware: Delaware Department of Natural Resources and Environmental Control, Tatnall Building, P.O. Box 1401, Dover, DE 19901.

(J) [Reserved]



## Environmental Protection Agency

§61.04

(K) Bureau of Air Quality Management, Department of Environmental Regulation, Twin Towers Office Building, 2600 Blair Stone Road, Tallahassee, FL 32301.

(L) State of Georgia, Environmental Protection Division, Department of Natural Resources, 270 Washington Street, SW., Atlanta, GA 30334.

(M) Hawaii Department of Health, 1250 Punchbowl Street, Honolulu, HI 96813.

Hawaii Department of Health (mailing address), Post Office Box 3378, Honolulu, HI 96801.

(N) [Reserved]

(O) State of Illinois, Bureau of Air, Division of Air Pollution Control, Illinois Environmental Protection Agency, 2200 Churchill Road, Springfield, IL 62794-9276.

(P) State of Indiana, Indiana Department of Environmental Management, 100 North Senate Avenue, P.O. Box 6015, Indianapolis, Indiana 46206-6015.

(Q) State of Iowa: Iowa Department of Natural Resources, Environmental Protection Division, Henry A. Wallace Building, 900 East Grand, Des Moines, IA 50319.

(R) State of Kansas: Kansas Department of Health and Environment, Bureau of Air Quality and Radiation Control, Forbes Field, Topeka, KS 66620.

(S) Division of Air Pollution Control, Department for Natural Resources and Environmental Protection, U.S. 127, Frankfort, KY 40601.

(T) State of Louisiana: Program Administrator, Air Quality Division, Louisiana Department of Environmental Quality, P.O. Box 44096, Baton Rouge, LA 70804.

(U) State of Maine, Bureau of Air Quality Control, Department of Environmental Protection, State House, Station No. 17, Augusta, ME 04333.

(V) State of Maryland, Bureau of Air Quality and Noise Control, Maryland State Department of Health and Mental Hygiene, 201 West Preston Street, Baltimore, MD 21201.

(W) Commonwealth of Massachusetts, Division of Air Quality Control, Department of Environmental Protection, One Winter Street, 7th floor, Boston, MA 02108.

(X) State of Michigan, Air Quality Division, Michigan Department of Environmental Quality, P.O. Box 30260, Lansing, Michigan 48909.

(Y) Minnesota Pollution Control Agency, Division of Air Quality, 520 Lafayette Road, St. Paul, MN 55155.

(Z) Bureau of Pollution Control, Department of Natural Resources, P.O. Box 10385, Jackson, MS 39209.

(AA) State of Missouri: Missouri Department of Natural Resources, Division of Environmental Quality, P.O. Box 176, Jefferson City, MO 65102.

(BB) State of Montana, Department of Health and Environmental Services, Air

Quality Bureau, Cogswell Building, Helena, MT 59601.

NOTE: For a table listing Region VIII's NESHAPs delegation status, see paragraph (c) of this section.

(CC) State of Nebraska, Nebraska Department of Environmental Control, P.O. Box 94877, State House Station, Lincoln, NE 68509.

Lincoln-Lancaster County Health Department, Division of Environmental Health, 2200 St. Marys Avenue, Lincoln, NE 68502.

(DD) Nevada.

Clark County, County District Health Department, Air Pollution Control Division, 625 Shadow Lane, Las Vegas, NV 89106.

Nevada Department of Conservation and Natural Resources, Division of Environmental Protection, 201 South Fall Street, Carson City, NV 89710.

Washoe County District Health Department, Division of Environmental Protection, 10 Kirman Avenue, Reno, NV 89502.

(EE) State of New Hampshire, Air Resources Division, Department of Environmental Services, 64 North Main Street, Caller Box 2033, Concord, NH 03302-2033.

(FF) State of New Jersey: New Jersey Department of Environmental Protection, John Fitch Plaza, P.O. Box 2807, Trenton, NJ 08625.

(GG) State of New Mexico: Director, New Mexico Environmental Improvement Division, Health and Environment Department, 1190 St. Francis Drive, Santa Fe, NM 87503.

(i) The City of Albuquerque and Bernalillo County: Director, The Albuquerque Environmental Health Department, The City of Albuquerque, P.O. Box 1293, Albuquerque, NM 87103.

(HH) New York: New York State Department of Environmental Conservation, 50 Wolf Road, Albany, NY 12233, attention: Division of Air Resources.

(II) North Carolina Environmental Management Commission, Department of Natural and Economic Resources, Division of Environmental Management, P.O. Box 27687, Raleigh, NC 27611. Attention: Air Quality Section.

(JJ) State of North Dakota, State Department of Health and Consolidated Laboratories, Division of Environmental Engineering, State Capitol, Bismarck, ND 58505.

NOTE: For a table listing Region VIII's NESHAPs delegation status, see paragraph (c) of this section.

(KK) State of Ohio—

(i) Medina, Summit and Portage Counties: Director, Akron Regional Air Quality Management District, 177 South Broadway, Akron, OH 44308.

(ii) Stark County: Air Pollution Control Division, 420 Market Avenue North, Canton, Ohio 44702-3335.

**§ 61.04****40 CFR Ch. I (7-1-00 Edition)**

(iii) Butler, Clermont, Hamilton, and Warren Counties: Air Program Manager, Hamilton County Department of Environmental Services, 1632 Central Parkway, Cincinnati, Ohio 45210.

(iv) Cuyahoga County: Commissioner, Department of Public Health & Welfare, Division of Air Pollution Control, 1925 Saint Clair, Cleveland, Ohio 44114.

(v) Belmont, Carroll, Columbiana, Harrison, Jefferson, and Monroe Counties: Director, North Ohio Valley Air Authority (NOVAA), 814 Adams Street, Steubenville, OH 43952.

(vi) Clark, Darke, Greene, Miami, Montgomery, and Preble Counties: Director, Regional Air Pollution Control Agency (RAPCA), 451 West Third Street, Dayton, Ohio 45402.

(vii) Lucas County and the City of Rossford (in Wood County): Director, Toledo Environmental Services Agency, 26 Main Street, Toledo, OH 43605.

(viii) Adams, Brown, Lawrence, and Scioto Counties: Engineer-Director, Air Division, Portsmouth City Health Department, 740 Second Street, Portsmouth, OH 45662.

(ix) Allen, Ashland, Auglaize, Crawford, Defiance, Erie, Fulton, Hancock, Hardin, Henry, Huron, Marion, Mercer, Ottawa, Paulding, Putnam, Richland, Sandusky, Seneca, Van Wert, Williams, Wood (except City of Rossford), and Wyandot Counties: Ohio Environmental Protection Agency, Northwest District Office, Air Pollution Control, 347 Dunbridge Rd., Bowling Green, Ohio 43402.

(x) Ashtabula, Holmes, Lorain, and Wayne Counties: Ohio Environmental Protection Agency, Northeast District Office, Air Pollution Unit, 2110 East Aurora Road, Twinsburg, OH 44087.

(xi) Athens, Coshocton, Gallia, Guernsey, Hocking, Jackson, Meigs, Morgan, Muskingum, Noble, Perry, Pike, Ross, Tuscarawas, Vinton, and Washington Counties: Ohio Environmental Protection Agency, Southeast District Office, Air Pollution Unit, 2195 Front Street, Logan, OH 43138.

(xii) Champaign, Clinton, Highland, Logan, and Shelby Counties: Ohio Environmental Protection Agency, Southwest District Office, Air Pollution Unit, 401 East Fifth Street, Dayton, Ohio 45402-2911.

(xiii) Delaware, Fairfield, Fayette, Franklin, Knox, Licking, Madison, Morrow, Pickaway, and Union Counties: Ohio Environmental Protection Agency, Central District Office, Air Pollution Control, 3232 Alum Creek Drive, Columbus, Ohio, 43207-3417.

(xiv) Geauga and Lake Counties: Lake County General Health District, Air Pollution Control, 105 Main Street, Painesville, OH 44077.

(xv) Mahoning and Trumbull Counties: Mahoning-Trumbull Air Pollution Control

Agency, 9 West Front Street, Youngstown, OH 44503.

(LL) State of Oklahoma, Oklahoma State Department of Health, Air Quality Service, P.O. Box 53551, Oklahoma City, OK 73152.

(i) Oklahoma City and County: Director, Oklahoma City-County Health Department, 921 Northeast 23rd Street, Oklahoma City, OK 73105.

(ii) Tulsa County: Tulsa City-County Health Department, 4616 East Fifteenth Street, Tulsa, OK 74112.

(MM) State of Oregon, Department of Environmental Quality, Yeon Building, 522 SW Fifth, Portland, OR 97204.

(i)-(vii) [Reserved]

(viii) Lane Regional Air Pollution Authority, 225 North Fifth, suite 501, Springfield, OR 97477.

(NN) Pennsylvania.

(i) City of Philadelphia: Philadelphia Department of Public Health, Air Management Services, 500 S. Broad Street, Philadelphia, PA 19146.

(ii) Commonwealth of Pennsylvania: Department of Environmental Resources, Post Office Box 2063, Harrisburg, PA 17120.

(iii) Allegheny County: Allegheny County Health Department, Bureau of Air Pollution Control, 301 Thirty-ninth Street, Pittsburgh, PA 15201.

(OO) State of Rhode Island, Division of Air and Hazardous Materials, Department of Environmental Management, 291 Promenade Street, Providence, RI 02908.

(PP) State of South Carolina, Office of Environmental Quality Control, Department of Health and Environmental Control, 2600 Bull Street, Columbia, SC 29201.

(QQ) State of South Dakota, Department of Water and Natural Resources, Office of Air Quality and Solid Waste, Joe Foss Building, 523 East Capitol, Pierre, SD 57501-3181.

NOTE: For a table listing Region VIII's NESHAPs delegation status, see paragraph (c) of this section.

(RR) Division of Air Pollution Control, Tennessee Department of Public Health, 256 Capitol Hill Building, Nashville, TN 37219.

Knox County Department of Air Pollution, City/County Building, room L222, 400 Main Avenue, Knoxville, TN 37902.

Air Pollution Control Bureau, Metropolitan Health Department, 311 23rd Avenue North, Nashville, TN 37203.

(SS) State of Texas, Texas Air Control Board, 6330 Highway 290 East, Austin, TX 78723.

(TT) State of Utah, Department of Health, Bureau of Air Quality, 288 North 1460 West, P.O. Box 16690, Salt Lake City, UT 84116-0690.

NOTE: For a table listing Region VIII's NESHAPs delegation status, see paragraph (c) of this section.

(UU) State of Vermont, Air Pollution Control Division, Agency of Natural Resources,

**Environmental Protection Agency**

**§ 61.04**

Building 3 South, 103 South Main Street, Waterbury, VT 05676.

(VV) Commonwealth of Virginia, Virginia State Air Pollution Control Board, room 1106, Ninth Street Office Building, Richmond, VA 23219.

(WW)(i) Washington; State of Washington, Department of Ecology, Olympia, WA 98504.

(ii) Northwest Air Pollution Authority (NWAPA), 1600 South Second Street, Mount Vernon, WA 98273-5202.

NOTE: For a table listing NWAPA's delegation status, see paragraph (c)(10) of this section.

(iii) Puget Sound Clean Air Agency (Puget Sound Clean Air). 110 Union Street, Suite 500, Seattle, WA 98101-2038.

NOTE: For a table listing Puget Sound Clean Air's delegation status, see paragraph (c)(10) of this section.

(iv) Spokane County Air Pollution Control Authority, North 811 Jefferson, Spokane, WA 99201.

(v) Yakima County Clean Air Authority, County Courthouse, Yakima, WA 98901.

(vi) Olympic Air Pollution Control Authority, 120 East State Avenue, Olympia, WA 98501.

(vii) Southwest Air Pollution Control Authority (SWAPCA), 1308 NE 134th Street, Vancouver, WA 98685-2747.

NOTE: For a table listing SWAPCA's delegation status, see paragraph (c)(10) of this section.

(XX) State of West Virginia: Air Pollution Control Commission, 1558 Washington Street, East, Charleston, WV 25311.

(YY) Wisconsin—Wisconsin Department of Natural Resources, P.O. Box 7921, Madison, WI 53707.

(ZZ)–(AAA) [Reserved]

(BBB) Commonwealth of Puerto Rico: Commonwealth of Puerto Rico Environmental Quality Board, P.O. Box 11785, Santurce, PR 00910.

(CCC) U.S. Virgin Islands: U.S. Virgin Islands Department of Conservation and Cultural Affairs, P.O. Box 578, Charlotte Amalie, St. Thomas, U.S. Virgin Islands 00801.

(c) The following tables list, by Region, the specific Part 61, National Emission Standards for Hazardous Air Pollutants that have been delegated to state and local agencies.

(1)–(7) [Reserved]

(8) The following is a table indicating the delegation status of National Emission Standards for Hazardous Air Pollutants in Region VIII.

**REGION VIII.—DELEGATION STATUS OF NATIONAL EMISSION STANDARDS FOR HAZARDOUS AIR POLLUTANTS<sup>1</sup>**

| Subpart   | CO    | MT <sup>2</sup> | ND <sup>2</sup> | SD <sup>2</sup> | UT <sup>2</sup> | WY |
|---|-------|-----------------|-----------------|-----------------|-----------------|----|
| A General Provisions .....  | *     | *               | *               | *               | *               |    |
| B Radon Emissions from Underground Uranium Mines .....  | ..... | .....           | .....           | .....           | *               |    |
| C Beryllium .....   | *     | *               | *               | .....           | *               |    |
| D Beryllium Rocket Motor Firing .....   | *     | *               | *               | .....           | *               |    |
| E Mercury .....   | *     | *               | *               | .....           | *               |    |
| F Vinyl Chloride .....  | *     | *               | *               | .....           | *               |    |
| H Emissions of Radionuclides other than Radon from Department of Energy Facilities .....  | ..... | .....           | .....           | .....           | .....           |    |
| I Radionuclide Emissions from Facilities Licensed by the Nuclear Regulatory Commission and Federal Facilities not covered by Subpart H. | ..... | .....           | .....           | .....           | .....           |    |
| J Equipment Leaks (Fugitive Emission Sources) of Benzene .....  | *     | *               | *               | .....           | *               |    |
| K Radionuclide Emissions from Elemental Phosphorus Plants .....   | ..... | .....           | .....           | .....           | .....           |    |
| L Benzene Emissions from Coke By-Product Recovery Plants .....  | ..... | *               | *               | .....           | *               |    |
| M Asbestos .....  | ..... | *               | *               | *               | *               | *3 |
| N Inorganic Arsenic Emissions from Glass Manufacturing Plants .....   | ..... | *               | *               | .....           | *               |    |
| O Inorganic Arsenic Emissions from Primary Copper Smelters .....  | ..... | *               | *               | .....           | *               |    |
| P Inorganic Arsenic Emissions from Arsenic Trioxide and Metallic Arsenic Production Facilities .....                                    | ..... | *               | *               | .....           | *               |    |
| Q Radon Emissions from Department of Energy Facilities .....  | ..... | .....           | .....           | .....           | *               |    |
| R Radon Emission from Phosphogypsum Stacks .....  | ..... | .....           | .....           | .....           | *               |    |
| T Radon Emissions from the Disposal of Uranium Mill Tailings .....  | ..... | .....           | .....           | .....           | *               |    |
| V Equipment Leaks (Fugitive Emission Sources) .....   | ..... | *               | *               | .....           | *               |    |
| W Radon Emissions from Operating Mill Tailings .....  | ..... | .....           | .....           | .....           | *               |    |
| Y Benzene Emissions from Benzene Storage Vessels .....  | ..... | *               | *               | .....           | *               |    |
| BB Benzene Emission from Benzene Transfer Operations .....  | ..... | *               | *               | .....           | *               |    |
| FF Benzene Waste Operations .....   | ..... | *               | *               | .....           | *               |    |

\*Indicates approval of delegation of subpart to state.  
<sup>1</sup> Authorities which may not be delegated include 40 CFR 61.04(b), 61.12(d)(1), 61.13(h)(1)(ii), 61.112(c), 61.164(a)(2), 61.164(a)(3), 61.172(b)(2)(ii)(B), 61.172(b)(2)(ii)(C), 61.174 (a)(2), 61.174(a)(3), 61.242-1(c)(2), 61.244, and all authorities listed as not delegable in each subpart under Delegation of Authority.  
<sup>2</sup> Indicates approval of National Emission Standards for Hazardous Air Pollutants as part of the State Implementation Plan (SIP) with the exception of the radionuclide NESHAP Subparts B, Q, R, T, W which were approved through Section 112(l) of the Clean Air Act.

**§ 61.04**

**40 CFR Ch. I (7-1-00 Edition)**

<sup>3</sup>Delegation only for asbestos demolition, renovation, spraying, manufacturing, and fabricating operations, insulating materials, waste disposal for demolition, renovation, spraying, manufacturing and fabricating operations, inactive waste disposal sites for manufacturing and fabricating operations, and operations that convert asbestos-containing waste material into nonasbestos (asbestos-free) material.

(9) [Reserved]

(10) The following table lists the specific Part 61 standards that have been delegated unchanged to state and local

air pollution control agencies in Region X. The (X) symbol is used to indicate each subpart that has been delegated.

DELEGATION STATUS FOR PART 61 STANDARDS—REGION X

| Subpart  | ADEC <sup>1</sup> | IDEQ <sup>2</sup> | ODEQ <sup>3</sup> | LRAPA <sup>4</sup> | Ecology <sup>5</sup> | BCAA <sup>6</sup> | NWAPA <sup>7</sup> | OAPCA <sup>8</sup> | PSCAA <sup>9</sup> | SCAPCA <sup>10</sup> | SWAPCA <sup>11</sup> | YRCAA <sup>12</sup> |
|--|-------------------|-------------------|-------------------|--------------------|----------------------|-------------------|--------------------|--------------------|--------------------|----------------------|----------------------|---------------------|
| A. General Provisions <sup>13</sup> .....  | X                 | .....             | .....             | .....              | .....                | .....             | X                  | .....              | X                  | .....                | X                    | .....               |
| B. Radon from Underground Uranium Mines .....  | .....             | .....             | .....             | .....              | .....                | .....             | X                  | .....              | X                  | .....                | .....                | .....               |
| C. Beryllium .....   | .....             | .....             | .....             | .....              | .....                | .....             | X                  | .....              | X                  | .....                | .....                | .....               |
| D. Beryllium Rocket Motor Firing .....   | .....             | .....             | .....             | .....              | .....                | .....             | X                  | .....              | X                  | .....                | .....                | .....               |
| E. Mercury .....   | X                 | .....             | .....             | .....              | .....                | .....             | X                  | .....              | X                  | .....                | X                    | .....               |
| F. Vinyl Chloride .....  | .....             | .....             | .....             | .....              | .....                | .....             | X                  | .....              | X                  | .....                | X                    | .....               |
| H. Emissions of Radionuclides other than Radon from Dept. of Energy facilities .....   | .....             | .....             | .....             | .....              | .....                | .....             | .....              | .....              | .....              | .....                | .....                | .....               |
| I. Radionuclides from Federal Facilities other than Nuclear Regulatory Commission Licensees and not covered by Subpart H ..... | .....             | .....             | .....             | .....              | .....                | .....             | .....              | .....              | .....              | .....                | .....                | .....               |
| J. Equipment Leaks of Benzene .....  | X                 | .....             | .....             | .....              | .....                | .....             | X                  | .....              | X                  | .....                | X                    | .....               |
| K. Radionuclides from Elemental Phosphorus Plants .....  | .....             | .....             | .....             | .....              | .....                | .....             | .....              | .....              | .....              | .....                | .....                | .....               |
| L. Benzene from Coke Recovery .....  | .....             | .....             | .....             | .....              | .....                | .....             | X                  | .....              | X                  | .....                | X                    | .....               |
| M. Asbestos .....  | X <sup>1</sup>    | .....             | .....             | .....              | .....                | .....             | X                  | .....              | X                  | .....                | X                    | .....               |
| N. Arsenic from Glass Plants .....   | .....             | .....             | .....             | .....              | .....                | .....             | X                  | .....              | X                  | .....                | X                    | .....               |

DELEGATION STATUS FOR PART 61 STANDARDS—REGION X—Continued

| Subpart   | ADEC <sup>1</sup> | IDEQ <sup>2</sup> | ODEQ <sup>3</sup> | LRAPA <sup>4</sup> | Ecology <sup>5</sup> | BCAA <sup>6</sup> | NWAPA <sup>7</sup> | OAPCA <sup>8</sup> | PSCAA <sup>9</sup> | SCAPCA <sup>10</sup> | SWAPCA <sup>11</sup> | YRCAA <sup>12</sup> |
|---|-------------------|-------------------|-------------------|--------------------|----------------------|-------------------|--------------------|--------------------|--------------------|----------------------|----------------------|---------------------|
| O. Arsenic from Primary Copper Smelters .....         |                   |                   |                   |                    |                      |                   | X                  |                    | X                  |                      | X                    |                     |
| P. Arsenic from Arsenic Production Facilities .....   |                   |                   |                   |                    |                      |                   | X                  |                    | X                  |                      | X                    |                     |
| Q. Radon from Dept of Energy facilities .....         |                   |                   |                   |                    |                      |                   |                    |                    |                    |                      |                      |                     |
| R. Radon from Phosphogypsum Stacks .....              |                   |                   |                   |                    |                      |                   |                    |                    |                    |                      |                      |                     |
| T. Radon from Disposal of Uranium Mill Tailings ..... |                   |                   |                   |                    |                      |                   |                    |                    |                    |                      |                      |                     |
| V. Equipment Leaks .....                              | X                 |                   |                   |                    |                      |                   | X                  |                    | X                  |                      | X                    |                     |
| W. Radon from Operating Mill Tailings .....           |                   |                   |                   |                    |                      |                   |                    |                    |                    |                      |                      |                     |
| Y. Benzene from Benzene Storage Vessels .....         | X                 |                   |                   |                    |                      |                   | X                  |                    | X                  |                      | X                    |                     |
| BB. Benzene from Benzene Transfer Operations ..       |                   |                   |                   |                    |                      |                   | X                  |                    | X                  |                      | X                    |                     |
| FF. Benzene Waste Operations .....                    | X                 |                   |                   |                    |                      |                   | X                  |                    | X                  |                      | X                    |                     |

<sup>1</sup> Alaska Department of Environmental Conservation (1/18/97).  
 Note: Alaska received delegation for sections 61.145 and 61.154 of Subpart M (Asbestos), along with other sections and appendices which are referenced in 61.145, as 61.145 applies to sources required to obtain an operating permit under Alaska's regulations. EPA retains the authority to implement and enforce Subpart M for area source asbestos demolition and renovation activities.  
<sup>2</sup> Idaho Division of Environmental Quality  
<sup>3</sup> Oregon Department of Environmental Quality  
<sup>4</sup> Lane Regional Air Pollution Authority  
<sup>5</sup> Washington Department of Ecology  
<sup>6</sup> Benton Clean Air Authority  
<sup>7</sup> Northwest Air Pollution Authority (7/1/99)  
<sup>8</sup> Olympic Air Pollution Control Authority  
<sup>9</sup> Puget Sound Clean Air Agency (7/1/99)

**Environmental Protection Agency**

**§ 61.04**

<sup>10</sup> Spokane County Air Pollution Control Authority  
<sup>11</sup> Southwest Air Pollution Control Authority (8/1/98)  
<sup>12</sup> Yakima Regional Clean Air Authority  
<sup>13</sup> Authorities which are not delegated include: 40 CFR 61.04(b); 61.12(d)(1); 61.13(h)(1)(ii) for approval of major alternatives to test methods; 61.14(g)(1)(ii) for approval of major alternatives to monitoring; 61.16; 61.33(c)(4); any sections in the subparts pertaining to approval of alternative standards (i.e., alternative means of emission limitations), or approval of major alternatives to test methods or monitoring, and all authorities identified in the subparts (i.e., under "Delegation of Authority") that cannot be delegated.

## § 61.05

NOTE TO PARAGRAPH (C)(10): Dates in parenthesis indicate the effective date of the federal rules that have been adopted by and delegated to the state or local air pollution control agency. Therefore, any amendments made to these delegated rules after this effective date are not delegated to the agency.

[40 FR 18170, Apr. 25, 1975]

EDITORIAL NOTE: For FEDERAL REGISTER citations to §61.04 see the List of CFR Sections Affected appearing in the Finding Aids section of this volume.

### § 61.05 Prohibited activities.

(a) After the effective date of any standard, no owner or operator shall construct or modify any stationary source subject to that standard without first obtaining written approval from the Administrator in accordance with this subpart, except under an exemption granted by the President under section 112(c)(2) of the Act. Sources, the construction or modification of which commenced after the publication date of the standards proposed to be applicable to the sources, are subject to this prohibition.

(b) After the effective date of any standard, no owner or operator shall operate a new stationary source subject to that standard in violation of the standard, except under an exemption granted by the President under section 112(c)(2) of the Act.

(c) Ninety days after the effective date of any standard, no owner or operator shall operate any existing source subject to that standard in violation of the standard, except under a waiver granted by the Administrator under this part or under an exemption granted by the President under section 112(c)(2) of the Act.

(d) No owner or operator subject to the provisions of this part shall fail to report, revise reports, or report source test results as required under this part.

[38 FR 8826, Apr. 6, 1973, as amended at 50 FR 46291, Nov. 7, 1985]

### § 61.06 Determination of construction or modification.

An owner or operator may submit to the Administrator a written application for a determination of whether actions intended to be taken by the owner or operator constitute construction or modification, or commence-

## 40 CFR Ch. I (7-1-00 Edition)

ment thereof, of a source subject to a standard. The Administrator will notify the owner or operator of his determination within 30 days after receiving sufficient information to evaluate the application.

[50 FR 46291, Nov. 7, 1985]

### § 61.07 Application for approval of construction or modification.

(a) The owner or operator shall submit to the Administrator an application for approval of the construction of any new source or modification of any existing source. The application shall be submitted before the construction or modification is planned to commence, or within 30 days after the effective date if the construction or modification had commenced before the effective date and initial startup has not occurred. A separate application shall be submitted for each stationary source.

(b) Each application for approval of construction shall include—

(1) The name and address of the applicant;

(2) The location or proposed location of the source; and

(3) Technical information describing the proposed nature, size, design, operating design capacity, and method of operation of the source, including a description of any equipment to be used for control of emissions. Such technical information shall include calculations of emission estimates in sufficient detail to permit assessment of the validity of the calculations.

(c) Each application for approval of modification shall include, in addition to the information required in paragraph (b) of this section—

(1) The precise nature of the proposed changes;

(2) The productive capacity of the source before and after the changes are completed; and

(3) Calculations of estimates of emissions before and after the changes are completed, in sufficient detail to permit assessment of the validity of the calculations.

[50 FR 46291, Nov. 7, 1985]



## Environmental Protection Agency

## § 61.10

### § 61.08 Approval of construction or modification.

(a) The Administrator will notify the owner or operator of approval or intention to deny approval of construction or modification within 60 days after receipt of sufficient information to evaluate an application under § 61.07.

(b) If the Administrator determines that a stationary source for which an application under § 61.07 was submitted will not cause emissions in violation of a standard if properly operated, the Administrator will approve the construction or modification.

(c) Before denying any application for approval of construction or modification, the Administrator will notify the applicant of the Administrator's intention to issue the denial together with—

(1) Notice of the information and findings on which the intended denial is based; and

(2) Notice of opportunity for the applicant to present, within such time limit as the Administrator shall specify, additional information or arguments to the Administrator before final action on the application.

(d) A final determination to deny any application for approval will be in writing and will specify the grounds on which the denial is based. The final determination will be made within 60 days of presentation of additional information or arguments, or 60 days after the final date specified for presentation if no presentation is made.

(e) Neither the submission of an application for approval nor the Administrator's approval of construction or modification shall—

(1) Relieve an owner or operator of legal responsibility for compliance with any applicable provisions of this part or of any other applicable Federal, State, or local requirement; or

(2) Prevent the Administrator from implementing or enforcing this part or taking any other action under the Act.

[50 FR 46291, Nov. 7, 1985]

### § 61.09 Notification of startup.

(a) The owner or operator of each stationary source which has an initial startup after the effective date of a standard shall furnish the Adminis-

trator with written notification as follows:

(1) A notification of the anticipated date of initial startup of the source not more than 60 days nor less than 30 days before that date.

(2) A notification of the actual date of initial startup of the source within 15 days after that date.

(b) If any State or local agency requires a notice which contains all the information required in the notification in paragraph (a) of this section, sending the Administrator a copy of that notification will satisfy paragraph (a) of this section.

[50 FR 46291, Nov. 7, 1985]

### § 61.10 Source reporting and waiver request.

(a) The owner or operator of each existing source or each new source which had an initial startup before the effective date shall provide the following information in writing to the Administrator within 90 days after the effective date:

(1) Name and address of the owner or operator.

(2) The location of the source.

(3) The type of hazardous pollutants emitted by the stationary source.

(4) A brief description of the nature, size, design, and method of operation of the stationary source including the operating design capacity of the source. Identify each point of emission for each hazardous pollutant.

(5) The average weight per month of the hazardous materials being processed by the source, over the last 12 months preceding the date of the report.

(6) A description of the existing control equipment for each emission point including—

(i) Each control device for each hazardous pollutant; and

(ii) Estimated control efficiency (percent) for each control device.

(7) A statement by the owner or operator of the source as to whether the source can comply with the standards within 90 days after the effective date.

(b) The owner or operator of an existing source unable to comply with an applicable standard may request a waiver of compliance with that standard for a period not exceeding 2 years

**§61.10**

**40 CFR Ch. I (7-1-00 Edition)**

after the effective date. Any request shall be in writing and shall include the following information:

(1) A description of the controls to be installed to comply with the standard.

(2) A compliance schedule, including the date each step toward compliance will be reached. The list shall include as a minimum the following dates:

(i) Date by which contracts for emission control systems or process changes for emission control will be awarded, or date by which orders will be issued for the purchase of component parts to accomplish emission control or process changes;

(ii) Date of initiation of onsite construction or installation of emission control equipment or process change;

(iii) Date by which onsite construction or installation of emission control equipment or process change is to be completed; and

(iv) Date by which final compliance is to be achieved.

(3) A description of interim emission control steps which will be taken during the waiver period.

(c) Any change in the information provided under paragraph (a) of this section or §61.07(b) shall be provided to the Administrator within 30 days after the change. However, if any change will result from modification of the source, §§61.07(c) and 61.08 apply.

(d) A possible format for reporting under this section is included as appendix A of this part. Advice on reporting the status of compliance may be obtained from the Administrator.

(e) For the purposes of this part, time periods specified in days shall be measured in calendar days, even if the word "calendar" is absent, unless otherwise specified in an applicable requirement.

(f) For the purposes of this part, if an explicit postmark deadline is not specified in an applicable requirement for the submittal of a notification, application, report, or other written communication to the Administrator, the owner or operator shall postmark the submittal on or before the number of days specified in the applicable requirement. For example, if a notification must be submitted 15 days before a particular event is scheduled to take place, the notification shall be postmarked on or before 15 days preceding

the event; likewise, if a notification must be submitted 15 days after a particular event takes place, the notification shall be postmarked on or before 15 days following the end of the event. The use of reliable non-Government mail carriers that provide indications of verifiable delivery of information required to be submitted to the Administrator, similar to the postmark provided by the U.S. Postal Service, or alternative means of delivery agreed to by the permitting authority, is acceptable.

(g) Notwithstanding time periods or postmark deadlines specified in this part for the submittal of information to the Administrator by an owner or operator, or the review of such information by the Administrator, such time periods or deadlines may be changed by mutual agreement between the owner or operator and the Administrator. Procedures governing the implementation of this provision are specified in paragraph (j) of this section.

(h) If an owner or operator of a stationary source in a State with delegated authority is required to submit reports under this part to the State, and if the State has an established timeline for the submission of reports that is consistent with the reporting frequency(ies) specified for such source under this part, the owner or operator may change the dates by which reports under this part shall be submitted (without changing the frequency of reporting) to be consistent with the State's schedule by mutual agreement between the owner or operator and the State. The allowance in the previous sentence applies in each State beginning 1 year after the source is required to be in compliance with the applicable subpart in this part. Procedures governing the implementation of this provision are specified in paragraph (j) of this section.

(i) If an owner or operator supervises one or more stationary sources affected by standards set under this part and standards set under part 60, part 63, or both such parts of this chapter, he/she may arrange by mutual agreement between the owner or operator and the Administrator (or the State with an approved permit program) a common

## Environmental Protection Agency

## §61.11

schedule on which reports required by each applicable standard shall be submitted throughout the year. The allowance in the previous sentence applies in each State beginning 1 year after the source is required to be in compliance with the applicable subpart in this part, or 1 year after the source is required to be in compliance with the applicable part 60 or part 63 standard, whichever is latest. Procedures governing the implementation of this provision are specified in paragraph (j) of this section.

(j)(1)(i) Until an adjustment of a time period or postmark deadline has been approved by the Administrator under paragraphs (j)(2) and (j)(3) of this section, the owner or operator of an affected source remains strictly subject to the requirements of this part.

(ii) An owner or operator shall request the adjustment provided for in paragraphs (j)(2) and (j)(3) of this section each time he or she wishes to change an applicable time period or postmark deadline specified in this part.

(2) Notwithstanding time periods or postmark deadlines specified in this part for the submittal of information to the Administrator by an owner or operator, or the review of such information by the Administrator, such time periods or deadlines may be changed by mutual agreement between the owner or operator and the Administrator. An owner or operator who wishes to request a change in a time period or postmark deadline for a particular requirement shall request the adjustment in writing as soon as practicable before the subject activity is required to take place. The owner or operator shall include in the request whatever information he or she considers useful to convince the Administrator that an adjustment is warranted.

(3) If, in the Administrator's judgment, an owner or operator's request for an adjustment to a particular time period or postmark deadline is warranted, the Administrator will approve the adjustment. The Administrator will notify the owner or operator in writing of approval or disapproval of the request for an adjustment within 15 calendar days of receiving sufficient information to evaluate the request.

(4) If the Administrator is unable to meet a specified deadline, he or she will notify the owner or operator of any significant delay and inform the owner or operator of the amended schedule.

[38 FR 8826, Apr. 6, 1973, as amended at 50 FR 46292, Nov. 7, 1985; 59 FR 12430, Mar. 16, 1994]

### §61.11 Waiver of compliance.

(a) Based on the information provided in any request under §61.10, or other information, the Administrator may grant a waiver of compliance with a standard for a period not exceeding 2 years after the effective date of the standard.

(b) The waiver will be in writing and will—

(1) Identify the stationary source covered;

(2) Specify the termination date of the waiver;

(3) Specify dates by which steps toward compliance are to be taken; and

(4) Specify any additional conditions which the Administrator determines necessary to assure installation of the necessary controls within the waiver period and to assure protection of the health of persons during the waiver period.

(c) The Administrator may terminate the waiver at an earlier date than specified if any specification under paragraphs (b)(3) and (b)(4) of this section are not met.

(d) Before denying any request for a waiver, the Administrator will notify the owner or operator making the request of the Administrator's intention to issue the denial, together with—

(1) Notice of the information and findings on which the intended denial is based; and

(2) Notice of opportunity for the owner or operator to present, within the time limit the Administrator specifies, additional information or arguments to the Administrator before final action on the request.

(e) A final determination to deny any request for a waiver will be in writing and will set forth the specific grounds on which the denial is based. The final determination will be made within 60 days after presentation of additional information or argument; or within 60 days after the final date specified for

## § 61.12

the presentation if no presentation is made.

(f) The granting of a waiver under this section shall not abrogate the Administrator's authority under section 114 of the Act.

[50 FR 46292, Nov. 7, 1985]

### **§ 61.12 Compliance with standards and maintenance requirements.**

(a) Compliance with numerical emission limits shall be determined in accordance with emission tests established in § 61.13 or as otherwise specified in an individual subpart.

(b) Compliance with design, equipment, work practice or operational standards shall be determined as specified in an individual subpart.

(c) The owner or operator of each stationary source shall maintain and operate the source, including associated equipment for air pollution control, in a manner consistent with good air pollution control practice for minimizing emissions. Determination of whether acceptable operating and maintenance procedures are being used will be based on information available to the Administrator which may include, but is not limited to, monitoring results, review of operating and maintenance procedures, and inspection of the source.

(d)(1) If, in the Administrator's judgment, an alternative means of emission limitation will achieve a reduction in emissions of a pollutant from a source at least equivalent to the reduction in emissions of that pollutant from that source achieved under any design, equipment, work practice or operational standard, the Administrator will publish in the FEDERAL REGISTER a notice permitting the use of the alternative means for purposes of compliance with the standard. The notice will restrict the permission to the source(s) or category(ies) of sources on which the alternative means will achieve equivalent emission reductions. The notice may condition permission on requirements related to the operation and maintenance of the alternative means.

(2) Any notice under paragraph (d)(1) shall be published only after notice and an opportunity for a hearing.

(3) Any person seeking permission under this subsection shall, unless oth-

## 40 CFR Ch. I (7-1-00 Edition)

erwise specified in the applicable subpart, submit a proposed test plan or the results of testing and monitoring, a description of the procedures followed in testing or monitoring, and a description of pertinent conditions during testing or monitoring.

(e) For the purpose of submitting compliance certifications or establishing whether or not a person has violated or is in violation of any standard in this part, nothing in this part shall preclude the use, including the exclusive use, of any credible evidence or information, relevant to whether a source would have been in compliance with applicable requirements if the appropriate performance or compliance test had been performed.

[50 FR 46292, Nov. 7, 1985, as amended 62 FR 8328, Feb. 24, 1997]

### **§ 61.13 Emission tests and waiver of emission tests.**

(a) If required to do emission testing by an applicable subpart and unless a waiver of emission testing is obtained under this section, the owner or operator shall test emissions from the source—

(1) Within 90 days after the effective date, for an existing source or a new source which has an initial startup date before the effective date; or

(2) Within 90 days after initial startup, for a new source which has an initial startup date after the effective date.

(b) The Administrator may require an owner or operator to test emissions from the source at any other time when the action is authorized by section 114 of the Act.

(c) The owner or operator shall notify the Administrator of the emission test at least 30 days before the emission test to allow the Administrator the opportunity to have an observer present during the test.

(d) If required to do emission testing, the owner or operator of each new source and, at the request of the Administrator, the owner or operator of each existing source shall provide emission testing facilities as follows:

(1) Sampling ports adequate for test methods applicable to each source.

(2) Safe sampling platform(s).

## Environmental Protection Agency

## § 61.14

(3) Safe access to sampling platform(s).

(4) Utilities for sampling and testing equipment.

(5) Any other facilities that the Administrator needs to safely and properly test a source.

(e) Each emission test shall be conducted under such conditions as the Administrator shall specify based on design and operational characteristics of the source.

(f) Unless otherwise specified in an applicable subpart, samples shall be analyzed and emissions determined within 30 days after each emission test has been completed. The owner or operator shall report the determinations of the emission test to the Administrator by a registered letter sent before the close of business on the 31st day following the completion of the emission test.

(g) The owner or operator shall retain at the source and make available, upon request, for inspection by the Administrator, for a minimum of 2 years, records of emission test results and other data needed to determine emissions.

(h)(1) Emission tests shall be conducted as set forth in this section, the applicable subpart and appendix B unless the Administrator—

(i) Specifies or approves the use of a reference method with minor changes in methodology; or

(ii) Approves the use of an alternative method; or

(iii) Waives the requirement for emission testing because the owner or operator of a source has demonstrated by other means to the Administrator's satisfaction that the source is in compliance with the standard.

(2) If the Administrator finds reasonable grounds to dispute the results obtained by an alternative method, he may require the use of a reference method. If the results of the reference and alternative methods do not agree, the results obtained by the reference method prevail.

(3) The owner or operator may request approval for the use of an alternative method at any time, except—

(i) For an existing source or a new source that had an initial startup before the effective date, any request for

use of an alternative method during the initial emission test shall be submitted to the Administrator within 30 days after the effective date, or with the request for a waiver of compliance if one is submitted under § 60.10(b); or

(ii) For a new source that has an initial startup after the effective date, any request for use of an alternative method during the initial emission test shall be submitted to the Administrator no later than with the notification of anticipated startup required under § 60.09.

(i)(1) Emission tests may be waived upon written application to the Administrator if, in the Administrator's judgment, the source is meeting the standard, or the source is being operated under a waiver or compliance, or the owner or operator has requested a waiver of compliance and the Administrator is still considering that request.

(2) If application for waiver of the emission test is made, the application shall accompany the information required by § 61.10 or the notification of startup required by § 61.09, whichever is applicable. A possible format is contained in appendix A to this part.

(3) Approval of any waiver granted under this section shall not abrogate the Administrator's authority under the Act or in any way prohibit the Administrator from later cancelling the waiver. The cancellation will be made only after notice is given to the owner or operator of the source.

[50 FR 46292, Nov. 7, 1985]

### § 61.14 Monitoring requirements.

(a) Unless otherwise specified, this section applies to each monitoring system required under each subpart which requires monitoring.

(b) Each owner or operator shall maintain and operate each monitoring system as specified in the applicable subpart and in a manner consistent with good air pollution control practice for minimizing emissions. Any unavoidable breakdown or malfunction of the monitoring system should be repaired or adjusted as soon as practicable after its occurrence. The Administrator's determination of whether acceptable operating and maintenance procedures are being used will be based on information which may include, but

## §61.15

## 40 CFR Ch. I (7-1-00 Edition)

not be limited to, review of operating and maintenance procedures, manufacturer recommendations and specifications, and inspection of the monitoring system.

(c) When required by the applicable subpart, and at any other time the Administrator may require, the owner or operator of a source being monitored shall conduct a performance evaluation of the monitoring system and furnish the Administrator with a copy of a written report of the results within 60 days of the evaluation. Such a performance evaluation shall be conducted according to the applicable specifications and procedures described in the applicable subpart. The owner or operator of the source shall furnish the Administrator with written notification of the date of the performance evaluation at least 30 days before the evaluation is to begin.

(d) When the effluents from a single source, or from two or more sources subject to the same emission standards, are combined before being released to the atmosphere, the owner or operator shall install a monitoring system on each effluent or on the combined effluent. If two or more sources are not subject to the same emission standards, the owner or operator shall install a separate monitoring system on each effluent, unless otherwise specified. If the applicable standard is a mass emission standard and the effluent from one source is released to the atmosphere through more than one point, the owner or operator shall install a monitoring system at each emission point unless the installation of fewer systems is approved by the Administrator.

(e) The owner or operator of each monitoring system shall reduce the monitoring data as specified in each applicable subpart. Monitoring data recorded during periods of unavoidable monitoring system breakdowns, repairs, calibration checks, and zero and span adjustments shall not be included in any data average.

(f) The owner or operator shall maintain records of monitoring data, monitoring system calibration checks, and the occurrence and duration of any period during which the monitoring system is malfunctioning or inoperative.

These records shall be maintained at the source for a minimum of 2 years and made available, upon request, for inspection by the Administrator.

(g)(1) Monitoring shall be conducted as set forth in this section and the applicable subpart unless the Administrator—

(i) Specifies or approves the use of the specified monitoring requirements and procedures with minor changes in methodology; or

(ii) Approves the use of alternatives to any monitoring requirements or procedures.

(2) If the Administrator finds reasonable grounds to dispute the results obtained by an alternative monitoring method, the Administrator may require the monitoring requirements and procedures specified in this part.

[50 FR 46293, Nov. 7, 1985]

### §61.15 Modification.

(a) Except as provided under paragraph (d) of this section, any physical or operational change to a stationary source which results in an increase in the rate of emission to the atmosphere of a hazardous pollutant to which a standard applies shall be considered a modification.

(b) Upon modification, an existing source shall become a new source for each hazardous pollutant for which the rate of emission to the atmosphere increases and to which a standard applies.

(c) Emission rate shall be expressed as kg/hr of any hazardous pollutant discharged into the atmosphere for which a standard is applicable. The Administrator shall use the following to determine the emission rate:

(1) Emission factors as specified in the background information document (BID) for the applicable standard, or in the latest issue of "Compilation of Air Pollutant Emission Factors," EPA Publication No. AP-42, or other emission factors determined by the Administrator to be superior to AP-42 emission factors, in cases where use of emission factors demonstrates that the emission rate will clearly increase or clearly not increase as a result of the physical or operational change.

(2) Material balances, monitoring data, or manual emission tests in cases

## Environmental Protection Agency

## § 61.18

where use of emission factors, as referenced in paragraph (c)(1) of this section, does not demonstrate to the Administrator's satisfaction that the emission rate will clearly increase or clearly not increase as a result of the physical or operational change, or where an interested person demonstrates to the Administrator's satisfaction that there are reasonable grounds to dispute the result obtained by the Administrator using emission factors. When the emission rate is based on results from manual emission tests or monitoring data, the procedures specified in appendix C of 40 CFR part 60 shall be used to determine whether an increase in emission rate has occurred. Tests shall be conducted under such conditions as the Administrator shall specify to the owner or operator. At least three test runs must be conducted before and at least three after the physical or operational change. If the Administrator approves, the results of the emission tests required in § 61.13(a) may be used for the test runs to be conducted before the physical or operational change. All operating parameters which may affect emissions must be held constant to the maximum degree feasible for all test runs.

(d) The following shall not, by themselves, be considered modifications under this part:

(1) Maintenance, repair, and replacement which the Administrator determines to be routine for a source category.

(2) An increase in production rate of a stationary source, if that increase can be accomplished without a capital expenditure on the stationary source.

(3) An increase in the hours of operation.

(4) Any conversion to coal that meets the requirements specified in section 111(a)(8) of the Act.

(5) The relocation or change in ownership of a stationary source. However, such activities must be reported in accordance with § 61.10(c).

[50 FR 46294, Nov. 7, 1985]

### § 61.16 Availability of information.

The availability to the public of information provided to, or otherwise obtained by, the Administrator under

this part shall be governed by part 2 of this chapter.

[38 FR 8826, Apr. 6, 1973. Redesignated at 50 FR 46294, Nov. 7, 1985]

### § 61.17 State authority.

(a) This part shall not be construed to preclude any State or political subdivision thereof from—

(1) Adopting and enforcing any emission limiting regulation applicable to a stationary source, provided that such emission limiting regulation is not less stringent than the standards prescribed under this part; or

(2) Requiring the owner or operator of a stationary source to obtain permits, licenses, or approvals prior to initiating construction, modification, or operation of the source.

[50 FR 46294, Nov. 7, 1985]

### § 61.18 Incorporations by reference.

The materials listed below are incorporated by reference in the corresponding sections noted. These incorporations by reference were approved by the Director of the Federal Register on the date listed. These materials are incorporated as they exist on the date of the approval, and a notice of any change in these materials will be published in the FEDERAL REGISTER. The materials are available for purchase at the corresponding address noted below, and all are available for inspection at the Office of the Federal Register, 800 North Capitol Street, NW., suite 700, Washington, DC and the Library (MD-35), U.S. EPA, Research Triangle Park, North Carolina.

(a) The following material is available for purchase from at least one of the following addresses: American Society for Testing and Materials (ASTM), 1916 Race Street, Philadelphia, Pennsylvania 19103; or University Microfilms International, 300 North Zeeb Road, Ann Arbor, Michigan 48106.

(1) ASTM D737-75, Standard Test Method for Air Permeability of Textile Fabrics, incorporation by reference (IBR) approved January 27, 1983, for § 61.23(a).

(2) ASTM D 1193-77, Standard Specification for Reagent Water, IBR approved for Method 101, par. 6.1.1; Method 101A, par. 6.1.1; Method 104, par. 3.1.2.

(3) ASTM D 2986-71 (Reapproved 1978), Standard Method for Evaluation of Air,

## §61.19

## 40 CFR Ch. I (7-1-00 Edition)

Assay Media by the Monodisperse DOP (Diocetyl Phthalate) Smoke Test, IBR approved for Method 103, par. 2.1.3; Method 104, par. 3.1.1.

(4) ASTM D2267-68 (reapproved 1978) Aromatics in Light Naphthas and Aviation Gasoline by Gas Chromatography, IBR approved June 6, 1984, for §61.245(d)(1) and IBR approved September 30, 1986 for §61.67(h)(1).

(5) ASTM D 2382-76, Heat of Combustion of Hydrocarbon Fuels by Bomb Calorimeter (High-Precision Method), IBR approved June 6, 1984, for §61.245(e)(3).

(6) ASTM D 2504-67 (Reapproved 1977), Non-condensable Gases in C<sub>3</sub> and Lighter Hydrocarbon Products by Gas Chromatography, IBR approved June 6, 1984, for §61.245(e)(3).

(7) ASTM D 836-84, Standard Specification for Industrial Grade Benzene, IBR approved September 14, 1989, for §61.270(a).

(8) ASTM D 835-85, Standard Specification for Refined Benzene-485, IBR approved September 14, 1989, for §61.270(a).

(9) ASTM D 2359-85a, Standard Specification for Refined Benzene-535, IBR approved September 14, 1989, for §61.270(a).

(10) ASTM D 4734-87, Standard Specification for Refined Benzene-545, IBR approved September 14, 1989, for §61.270(a).

(11) ASTM E 50-82 (reapproved 1986), Standard Practices for Apparatus Reagents, and Safety Precautions for Chemical Analysis of Metals, IBR approved for Method 108C, par. 2.1.4.

(b) The following material is available from the U.S. EPA Environmental Monitoring and Support Laboratory, Cincinnati, Ohio 45268.

(1) Method 601, Test Method for Purgeable Halocarbons, July 1982, IBR approved September 30, 1986, for §61.67(g)(2).

(c) The following material is available for purchase from the American National Standards Institute, Inc., 1430 Broadway, New York, NY 10018.

(1) ANSI N13.1-1969, "Guide to Sampling Airborne Radioactive Materials in Nuclear Facilities." IBR approved for §§61.93(b)(2)(ii); 61.107(b)(2)(ii); and Method 114, par. 2.1 of appendix B to part 61.

(d) The following material is available from the Superintendent of Documents, U.S. Government Printing Office, Washington, DC 20402-9325, telephone (202) 783-3238.

(1) Test Methods for Evaluating Solid Waste, Physical/Chemical Methods, EPA Publication SW-846, Third Edition, November 1986, as amended by Revision I, December 1987, Order Number 955-001-00000-1:

(i) Method 8020, Aromatic Volatile Organics, IBR approved March 7, 1990, for §61.355(c)(2)(iv)(A).

(ii) Method 8021, Volatile Organic Compounds in Water by Purge and Trap Capillary Column Gas Chromatography with Photoionization and Electrolytic Conductivity Detectors in Series, IBR approved March 7, 1990, for §61.355(c)(2)(iv)(B).

(iii) Method 8240, Gas Chromatography/Mass Spectrometry for Volatile Organics, IBR approved March 7, 1990, for §61.355(c)(2)(iv)(C).

(iv) Method 8260, Gas Chromatography/Mass Spectrometry for Volatile Organics: Capillary Column Technique, IBR approved March 7, 1990, for §61.355(c)(2)(iv)(D).

[48 FR 3740, Jan. 27, 1983, as amended at 48 FR 55266, Dec. 9, 1983; 49 FR 23520, June 6, 1984; 51 FR 34914, Sept. 30, 1986; 54 FR 38073, Sept. 14, 1989; 54 FR 51704, Dec. 15, 1989; 55 FR 8341, Mar. 7, 1990; 55 FR 18331, May 2, 1990; 55 FR 22027, May 31, 1990; 55 FR 32914, Aug. 13, 1990]

### §61.19 Circumvention.

No owner or operator shall build, erect, install, or use any article machine, equipment, process, or method, the use of which conceals an emission which would otherwise constitute a violation of an applicable standard. Such concealment includes, but is not limited to, the use of gaseous dilutants to achieve compliance with a visible emissions standard, and the piecemeal carrying out of an operation to avoid coverage by a standard that applies only to operations larger than a specified size.

[40 FR 48299, Oct. 14, 1975. Redesignated at 50 FR 46294, Nov. 7, 1985]

## Subpart B—National Emission Standards for Radon Emissions From Underground Uranium Mines

SOURCE: 54 FR 51694, Dec. 15, 1989, unless otherwise noted.

### §61.20 Designation of facilities.

The provisions of this subpart are applicable to the owner or operator of an active underground uranium mine which:

(a) Has mined, will mine or is designed to mine over 100,000 tons of ore during the life of the mine; or



## Environmental Protection Agency

## § 61.24

(b) Has had or will have an annual ore production rate greater than 10,000 tons, unless it can be demonstrated to EPA that the mine will not exceed total ore production of 100,000 tons during the life of the mine.

### § 61.21 Definitions.

As used in this subpart, all terms not defined here have the meaning given them in the Clean Air Act or subpart A of part 61. The following terms shall have the following specific meanings:

(a) *Active mine* means an underground uranium mine which is being ventilated to allow workers to enter the mine for any purpose.

(b) *Effective dose equivalent* means the sum of the products of absorbed dose and appropriate factors to account for differences in biological effectiveness due to the quality of radiation and its distribution in the body of reference man. The unit of the effective dose equivalent is the rem. The method for calculating effective dose equivalent and the definition of reference man are outlined in the International Commission on Radiological Protection's Publication No. 26.

(c) *Underground uranium mine* means a man-made underground excavation made for the purpose of removing material containing uranium for the principal purpose of recovering uranium.

### § 61.22 Standard.

Emissions of radon-222 to the ambient air from an underground uranium mine shall not exceed those amounts that would cause any member of the public to receive in any year an effective dose equivalent of 10 mrem/y.

### § 61.23 Determining compliance.

(a) Compliance with the emission standard in this subpart shall be determined and the effective dose equivalent calculated by the EPA computer code COMPLY-R. An underground uranium mine owner or operator shall calculate the source terms to be used for input into COMPLY-R by conducting testing in accordance with the procedures described in appendix B, Method 115, or

(b) Owners or operators may demonstrate compliance with the emission standard in this subpart through the use of computer models that are equiv-

alent to COMPLY-R provided that the model has received prior approval from EPA headquarters. EPA may approve a model in whole or in part and may limit its use to specific circumstances.

### § 61.24 Annual reporting requirements.

(a) The mine owner or operator shall annually calculate and report the results of the compliance calculations in § 61.23 and the input parameters used in making the calculation. Such report shall cover the emissions of a calendar year and shall be sent to EPA by March 31 of the following year. Each report shall also include the following information:

(1) The name and location of the mine.

(2) The name of the person responsible for the operation of the facility and the name of the person preparing the report (if different).

(3) The results of the emissions testing conducted and the dose calculated using the procedures in § 61.23.

(4) A list of the stacks or vents or other points where radioactive materials are released to the atmosphere, including their location, diameter, flow rate, effluent temperature and release height.

(5) A description of the effluent controls that are used on each stack, vent, or other release point and the effluent controls used inside the mine, and an estimate of the efficiency of each control method or device.

(6) Distances from the points of release to the nearest residence, school, business or office and the nearest farms producing vegetables, milk, and meat.

(7) The values used for all other user-supplied input parameters for the computer models (e.g., meteorological data) and the source of these data.

(8) Each report shall be signed and dated by a corporate officer in charge of the facility and contain the following declaration immediately above the signature line: "I certify under penalty of law that I have personally examined and am familiar with the information submitted herein and based on my inquiry of those individuals immediately responsible for obtaining the information, I believe that the submitted information is true, accurate and complete. I am aware that there

## § 61.25

are significant penalties for submitting false information including the possibility of fine and imprisonment. See, 18 U.S.C. 1001.”

(b) If the facility is not in compliance with the emission standard of § 61.22 in the calendar year covered by the report, the facility must then commence reporting to the Administrator on a monthly basis the information listed in paragraph (a) of this section for the preceding month. These reports will start the month immediately following the submittal of the annual report for the year in noncompliance and will be due 30 days following the end of each month. This increased level of reporting will continue until the Administrator has determined that the monthly reports are no longer necessary. In addition to all the information required in paragraph (a) of this section, monthly reports shall also include the following information:

(1) All controls or other changes in operation of the facility that will be or are being installed to bring the facility into compliance.

(2) If the facility is under a judicial or administrative enforcement decree the report will describe the facilities performance under the terms of the decree.

(c) The first report will cover the emissions of calendar year 1990.

## § 61.25 Recordkeeping requirements.

The owner or operator of a mine must maintain records documenting the source of input parameters including the results of all measurements upon which they are based, the calculations and/or analytical methods used to derive values for input parameters, and the procedure used to determine compliance. In addition, the documentation should be sufficient to allow an independent auditor to verify the accuracy of the determination made concerning the facility's compliance with the standard. These records must be kept at the mine or by the owner or operator for at least five years and upon request be made available for inspection by the Administrator, or his authorized representative.

## 40 CFR Ch. I (7-1-00 Edition)

### § 61.26 Exemption from the reporting and testing requirements of 40 CFR 61.10.

All facilities designated under this subpart are exempt from the reporting requirements of 40 CFR 61.10.

## Subpart C—National Emission Standard for Beryllium

### § 61.30 Applicability.

The provisions of this subpart are applicable to the following stationary sources:

(a) Extraction plants, ceramic plants, foundries, incinerators, and propellant plants which process beryllium ore, beryllium, beryllium oxide, beryllium alloys, or beryllium-containing waste.

(b) Machine shops which process beryllium, beryllium oxides, or any alloy when such alloy contains more than 5 percent beryllium by weight.

### § 61.31 Definitions.

Terms used in this subpart are defined in the act, in subpart A of this part, or in this section as follows:

(a) *Beryllium* means the element beryllium. Where weights or concentrations are specified, such weights or concentrations apply to beryllium only, excluding the weight or concentration of any associated elements.

(b) *Extraction plant* means a facility chemically processing beryllium ore to beryllium metal, alloy, or oxide, or performing any of the intermediate steps in these processes.

(c) *Beryllium ore* means any naturally occurring material mined or gathered for its beryllium content.

(d) *Machine shop* means a facility performing cutting, grinding, turning, honing, milling, deburring, lapping, electrochemical machining, etching, or other similar operations.

(e) *Ceramic plant* means a manufacturing plant producing ceramic items.

(f) *Foundry* means a facility engaged in the melting or casting of beryllium metal or alloy.

(g) *Beryllium-containing waste* means material contaminated with beryllium and/or beryllium compounds used or generated during any process or operation performed by a source subject to this subpart.

## Environmental Protection Agency

## § 61.33

(h) *Incinerator* means any furnace used in the process of burning waste for the primary purpose of reducing the volume of the waste by removing combustible matter.

(i) *Propellant* means a fuel and oxidizer physically or chemically combined which undergoes combustion to provide rocket propulsion.

(j) *Beryllium alloy* means any metal to which beryllium has been added in order to increase its beryllium content and which contains more than 0.1 percent beryllium by weight.

(k) *Propellant plant* means any facility engaged in the mixing, casting, or machining of propellant.

### § 61.32 Emission standard.

(a) Emissions to the atmosphere from stationary sources subject to the provisions of this subpart shall not exceed 10 grams of beryllium over a 24-hour period, except as provided in paragraph (b) of this section.

(b) Rather than meet the requirement of paragraph (a) of this section, an owner or operator may request approval from the Administrator to meet an ambient concentration limit on beryllium in the vicinity of the stationary source of  $0.01 \mu\text{g}/\text{m}^3$ , averaged over a 30-day period.

(1) Approval of such requests may be granted by the Administrator provided that:

(i) At least 3 years of data is available which in the judgment of the Administrator demonstrates that the future ambient concentrations of beryllium in the vicinity of the stationary source will not exceed  $0.01 \mu\text{g}/\text{m}^3$ , averaged over a 30-day period. Such 3-year period shall be the 3 years ending 30 days before the effective date of this standard.

(ii) The owner or operator requests such approval in writing within 30 days after the effective date of this standard.

(iii) The owner or operator submits a report to the Administrator within 45 days after the effective date of this standard which report includes the following information:

(a) Description of sampling method including the method and frequency of calibration.

(b) Method of sample analysis.

(c) Averaging technique for determining 30-day average concentrations.

(d) Number, identity, and location (address, coordinates, or distance and heading from plant) of sampling sites.

(e) Ground elevations and height above ground of sampling inlets.

(f) Plant and sampling area plots showing emission points and sampling sites. Topographic features significantly affecting dispersion including plant building heights and locations shall be included.

(g) Information necessary for estimating dispersion including stack height, inside diameter, exit gas temperature, exit velocity or flow rate, and beryllium concentration.

(h) A description of data and procedures (methods or models) used to design the air sampling network (i.e., number and location of sampling sites).

(i) Air sampling data indicating beryllium concentrations in the vicinity of the stationary source for the 3-year period specified in paragraph (b)(1) of this section. This data shall be presented chronologically and include the beryllium concentration and location of each individual sample taken by the network and the corresponding 30-day average beryllium concentrations.

(2) Within 60 days after receiving such report, the Administrator will notify the owner or operator in writing whether approval is granted or denied. Prior to denying approval to comply with the provisions of paragraph (b) of this section, the Administrator will consult with representatives of the statutory source for which the demonstration report was submitted.

(c) The burning of beryllium and/or beryllium-containing waste, except propellants, is prohibited except in incinerators, emissions from which must comply with the standard.

### § 61.33 Stack sampling.

(a) Unless a waiver of emission testing is obtained under § 61.13, each owner or operator required to comply with § 61.32(a) shall test emissions from the source according to Method 104 of appendix B to this part. Method 103 of appendix B to this part is approved by the Administrator as an alternative method for sources subject to § 61.32(a). The emission test shall be performed—

**§ 61.34**

(1) Within 90 days of the effective date in the case of an existing source or a new source which has an initial startup date preceding the effective date; or

(2) Within 90 days of startup in the case of a new source which did not have an initial startup date preceding the effective date.

(b) The Administrator shall be notified at least 30 days prior to an emission test so that he may at his option observe the test.

(c) Samples shall be taken over such a period or periods as are necessary to accurately determine the maximum emissions which will occur in any 24-hour period. Where emissions depend upon the relative frequency of operation of different types of processes, operating hours, operating capacities, or other factors, the calculation of maximum 24-hour-period emissions will be based on that combination of factors which is likely to occur during the subject period and which result in the maximum emissions. No changes in the operation shall be made, which would potentially increase emissions above that determined by the most recent source test, until a new emission level has been estimated by calculation and the results reported to the Administrator.

(d) All samples shall be analyzed and beryllium emissions shall be determined within 30 days after the source test. All determinations shall be reported to the Administrator by a registered letter dispatched before the close of the next business day following such determination.

(e) Records of emission test results and other data needed to determine total emissions shall be retained at the source and made available, for inspection by the Administrator, for a minimum of 2 years.

[38 FR 8826, Apr. 6, 1973, as amended at 50 FR 46294, Nov. 7, 1985]

**§ 61.34 Air sampling.**

(a) Stationary sources subject to § 61.32(b) shall locate air sampling sites in accordance with a plan approved by the Administrator. Such sites shall be located in such a manner as is calculated to detect maximum concentrations of beryllium in the ambient air.

**40 CFR Ch. I (7-1-00 Edition)**

(b) All monitoring sites shall be operated continuously except for a reasonable time allowance for instrument maintenance and calibration, for changing filters, or for replacement of equipment needing major repair.

(c) Filters shall be analyzed and concentrations calculated within 30 days after filters are collected. Records of concentrations at all sampling sites and other data needed to determine such concentrations shall be retained at the source and made available, for inspection by the Administrator, for a minimum of 2 years.

(d) Concentrations measured at all sampling sites shall be reported to the Administrator every 30 days by a registered letter.

(e) The Administrator may at any time require changes in, or expansion of, the sampling network.

**Subpart D—National Emission Standard for Beryllium Rocket Motor Firing**

**§ 61.40 Applicability.**

The provisions of this subpart are applicable to rocket motor test sites.

**§ 61.41 Definitions.**

Terms used in this subpart are defined in the Act, in subpart A of this part, or in this section as follows:

(a) *Rocket motor test site* means any building, structure, facility, or installation where the static test firing of a beryllium rocket motor and/or the disposal of beryllium propellant is conducted.

(b) *Beryllium propellant* means any propellant incorporating beryllium.

**§ 61.42 Emission standard.**

(a) Emissions to the atmosphere from rocket-motor test sites shall not cause time-weighted atmospheric concentrations of beryllium to exceed 75 microgram minutes per cubic meter of air within the limits of 10 to 60 minutes, accumulated during any 2 consecutive weeks, in any area in which an effect adverse to public health could occur.

(b) If combustion products from the firing of beryllium propellant are collected in a closed tank, emissions from such tank shall not exceed 2 grams per

## Environmental Protection Agency

## § 61.51

hour and a maximum of 10 grams per day.

### § 61.43 Emission testing—rocket firing or propellant disposal.

(a) Ambient air concentrations shall be measured during and after firing of a rocket motor or propellant disposal and in such a manner that the effect of these emissions can be compared with the standard. Such sampling techniques shall be approved by the Administrator.

(b) All samples shall be analyzed and results shall be calculated within 30 days after samples are taken and before any subsequent rocket motor firing or propellant disposal at the given site. All results shall be reported to the Administrator by a registered letter dispatched before the close of the next business day following determination of such results.

(c) Records of air sampling test results and other data needed to determine integrated intermittent concentrations shall be retained at the source and made available, for inspection by the Administrator, for a minimum of 2 years.

(d) The Administrator shall be notified at least 30 days prior to an air sampling test, so that he may at his option observe the test.

### § 61.44 Stack sampling.

(a) Sources subject to § 61.42(b) shall be continuously sampled, during release of combustion products from the tank, according to Method 104 of appendix B to this part. Method 103 of appendix B to this part is approved by the Administrator as an alternative method for sources subject to § 61.42(b).

(b) All samples shall be analyzed, and beryllium emissions shall be determined within 30 days after samples are taken and before any subsequent rocket motor firing or propellant disposal at the given site. All determinations shall be reported to the Administrator by a registered letter dispatched before the close of the next business day following such determinations.

(c) Records of emission test results and other data needed to determine total emissions shall be retained at the source and made available, for inspection

by the Administrator, for a minimum of 2 years.

(d) The Administrator shall be notified at least 30 days prior to an emission test, so that he may at his option observe the test.

[38 FR 8826, Apr. 6, 1973, as amended at 50 FR 46294, Nov. 7, 1985]

## Subpart E—National Emission Standard for Mercury

### § 61.50 Applicability.

The provisions of this subpart are applicable to those stationary sources which process mercury ore to recover mercury, use mercury chlor-alkali cells to produce chlorine gas and alkali metal hydroxide, and incinerate or dry wastewater treatment plant sludge.

[40 FR 48302, Oct. 14, 1975]

### § 61.51 Definitions.

Terms used in this subpart are defined in the act, in subpart A of this part, or in this section as follows:

(a) *Mercury* means the element mercury, excluding any associated elements, and includes mercury in particulates, vapors, aerosols, and compounds.

(b) *Mercury ore* means a mineral mined specifically for its mercury content.

(c) *Mercury ore processing facility* means a facility processing mercury ore to obtain mercury.

(d) *Condenser stack gases* mean the gaseous effluent evolved from the stack of processes utilizing heat to extract mercury metal from mercury ore.

(e) *Mercury chlor-alkali cell* means a device which is basically composed of an electrolyzer section and a denuder (decomposer) section and utilizes mercury to produce chlorine gas, hydrogen gas, and alkali metal hydroxide.

(f) *Mercury chlor-alkali electrolyzer* means an electrolytic device which is part of a mercury chlor-alkali cell and utilizes a flowing mercury cathode to produce chlorine gas and alkali metal amalgam.

(g) *Denuder* means a horizontal or vertical container which is part of a mercury chlor-alkali cell and in which water and alkali metal amalgam are converted to alkali metal hydroxide,

§ 61.52

mercury, and hydrogen gas in a short-circuited, electrolytic reaction.

(h) *Hydrogen gas stream* means a hydrogen stream formed in the chlor-alkali cell denuder.

(i) *End box* means a container(s) located on one or both ends of a mercury chlor-alkali electrolyzer which serves as a connection between the electrolyzer and denuder for rich and stripped amalgam.

(j) *End box ventilation system* means a ventilation system which collects mercury emissions from the end-boxes, the mercury pump sumps, and their water collection systems.

(k) *Cell room* means a structure(s) housing one or more mercury electrolytic chlor-alkali cells.

(l) *Sludge* means sludge produced by a treatment plant that processes municipal or industrial waste waters.

(m) *Sludge dryer* means a device used to reduce the moisture content of sludge by heating to temperatures above 65 °C (ca. 150 °F) directly with combustion gases.

[38 FR 8826, Apr. 6, 1973, as amended at 40 FR 48302, Oct. 14, 1975]

§ 61.52 Emission standard.

(a) Emissions to the atmosphere from mercury ore processing facilities and mercury cell chlor-alkali plants shall not exceed 2300 grams of mercury per 24-hour period.

(b) Emissions to the atmosphere from sludge incineration plants, sludge drying plants, or a combination of these that process wastewater treatment plant sludges shall not exceed 3200 grams of mercury per 24-hour period.

[40 FR 48302, Oct. 14, 1975]

§ 61.53 Stack sampling.

(a) *Mercury ore processing facility.* (1) Unless a waiver of emission testing is obtained under § 61.13, each owner or operator processing mercury ore shall test emissions from the source according to Method 101 of appendix B to this part. The emission test shall be performed—

(i) Within 90 days of the effective date in the case of an existing source or a new source which has an initial start-up date preceding the effective date; or

(ii) Within 90 days of startup in the case of a new source which did not have an initial startup date preceding the effective date.

(2) The Administrator shall be notified at least 30 days prior to an emission test, so that he may at his option observe the test.

(3) Samples shall be taken over such a period or periods as are necessary to accurately determine the maximum emissions which will occur in a 24-hour period. No changes in the operation shall be made, which would potentially increase emissions above that determined by the most recent source test, until the new emission level has been estimated by calculation and the results reported to the Administrator.

(4) All samples shall be analyzed and mercury emissions shall be determined within 30 days after the stack test. Each determination shall be reported to the Administrator by a registered letter dispatched within 15 calendar days following the date such determination is completed.

(5) Records of emission test results and other data needed to determine total emissions shall be retained at the source and made available, for inspection by the Administrator, for a minimum of 2 years.

(b) *Mercury chlor-alkali plant—hydrogen and end-box ventilation gas streams.*

(1) Unless a waiver of emission testing is obtained under § 61.13, each owner or operator employing mercury chlor-alkali cell(s) shall test emissions from hydrogen streams according to Method 102 and from end-box ventilation gas streams according to Method 101 of appendix B to this part. The emission test shall be performed—

(i) Within 90 days of the effective date in the case of an existing source or a new source which has an initial startup date preceding the effective date; or

(ii) Within 90 days of startup in the case of a new source which did not have an initial startup date preceding the effective date.

(2) The Administrator shall be notified at least 30 days prior to an emission test, so that he may at his option observe the test.

(3) Samples shall be taken over such a period or periods as are necessary to

## Environmental Protection Agency

## § 61.53

accurately determine the maximum emissions which will occur in a 24-hour period. No changes in the operation shall be made, which would potentially increase emissions above that determined by the most recent source test, until the new emission has been estimated by calculation and the results reported to the Administrator.

(4) All samples shall be analyzed and mercury emissions shall be determined within 30 days after the stack test. Each determination shall be reported to the Administrator by a registered letter dispatched within 15 calendar days following the date such determination is completed.

(5) Records of emission test results and other data needed to determine total emissions shall be retained at the source and made available, for inspection by the Administrator, for a minimum of 2 years.

(c) *Mercury chlor-alkali plants—cell room ventilation system.* (1) Stationary sources using mercury chlor-alkali cells may test cell room emissions in accordance with paragraph (c)(2) of this section or demonstrate compliance with paragraph (c)(4) of this section and assume ventilation emissions of 1,300 gms/day of mercury.

(2) Unless a waiver of emission testing is obtained under § 61.13, each owner or operator shall pass all cell room air in force gas streams through stacks suitable for testing and shall test emissions from the source according to Method 101 in appendix B to this part. The emission test shall be performed—

(i) Within 90 days of the effective date in the case of an existing source or a new source which has an initial startup date preceding the effective date; or

(ii) Within 90 days of startup in the case of a new source which did not have an initial startup date preceding the effective date.

(3) The Administrator shall be notified at least 30 days prior to an emission test, so that he may at his option observe the test.

(4) An owner or operator may carry out approved design, maintenance, and housekeeping practices. A list of approved practices is provided in appendix A of "Review of National Emission

Standards for Mercury," EPA-450/3-84-014a, December 1984. Copies are available from EPA's Central Docket Section, Docket item number A-84-41, III-B-1.

(d) *Sludge incineration and drying plants.* (1) Unless a waiver of emission testing is obtained under § 61.13, each owner or operator of a source subject to the standard in § 61.52(b) shall test emissions from that source. Such tests shall be conducted in accordance with the procedures set forth either in paragraph (d) of this section or in § 61.54.

(2) Method 101A in appendix B to this part shall be used to test emissions as follows:

(i) The test shall be performed within 90 days of the effective date of these regulations in the case of an existing source or a new source which has an initial startup date preceding the effective date.

(ii) The test shall be performed within 90 days of startup in the case of a new source which did not have an initial startup date preceding the effective date.

(3) The Administrator shall be notified at least 30 days prior to an emission test, so that he may at his option observe the test.

(4) Samples shall be taken over such a period or periods as are necessary to determine accurately the maximum emissions which will occur in a 24-hour period. No changes shall be made in the operation which would potentially increase emissions above the level determined by the most recent stack test, until the new emission level has been estimated by calculation and the results reported to the Administrator.

(5) All samples shall be analyzed and mercury emissions shall be determined within 30 days after the stack test. Each determination shall be reported to the Administrator by a registered letter dispatched within 15 calendar days following the date such determination is completed.

(6) Records of emission test results and other data needed to determine total emissions shall be retained at the source and shall be made available, for

## § 61.54

inspection by the Administrator, for a minimum of 2 years.

[38 FR 8826, Apr. 6, 1973, as amended at 40 FR 48302, Oct. 14, 1975; 47 FR 24704, June 8, 1982; 50 FR 46294, Nov. 7, 1985; 52 FR 8726, Mar. 19, 1987]

### § 61.54 Sludge sampling.

(a) As an alternative means for demonstrating compliance with § 61.52(b), an owner or operator may use Method 105 of appendix B and the procedures specified in this section.

(1) A sludge test shall be conducted within 90 days of the effective date of these regulations in the case of an existing source or a new source which has an initial startup date preceding the effective date; or

(2) A sludge test shall be conducted within 90 days of startup in the case of a new source which did not have an initial startup date preceding the effective date.

(b) The Administrator shall be notified at least 30 days prior to a sludge sampling test, so that he may at his option observe the test.

(c) Sludge shall be sampled according to paragraph (c)(1) of this section, sludge charging rate for the plant shall be determined according to paragraph (c)(2) of this section, and the sludge analysis shall be performed according to paragraph (c)(3) of this section.

(1) The sludge shall be sampled according to Method 105—Determination of Mercury in Wastewater Treatment Plant Sewage Sludges. A total of three composite samples shall be obtained within an operating period of 24 hours. When the 24-hour operating period is not continuous, the total sampling period shall not exceed 72 hours after the first grab sample is obtained. Samples shall not be exposed to any condition that may result in mercury contamination or loss.

(2) The maximum 24-hour period sludge incineration or drying rate shall be determined by use of a flow rate measurement device that can measure the mass rate of sludge charged to the incinerator or dryer with an accuracy of  $\pm 5$  percent over its operating range. Other methods of measuring sludge mass charging rates may be used if they have received prior approval by the Administrator.

## 40 CFR Ch. I (7-1-00 Edition)

(3) The sampling, handling, preparation, and analysis of sludge samples shall be accomplished according to Method 105 in appendix B of this part.

(d) The mercury emissions shall be determined by use of the following equation.

$$E_{\text{Hg}} = \frac{MQ F_{\text{sm}(\text{avg})}}{1000}$$

where:

$E_{\text{Hg}}$ =Mercury emissions, g/day.

$M$ =Mercury concentration of sludge on a dry solids basis,  $\mu\text{g/g}$ .

$Q$ =Sludge charging rate, kg/day.

$F_{\text{sm}}$ =Weight fraction of solids in the collected sludge after mixing.

1000=Conversion factor,  $\text{kg } \mu\text{g/g}^2$ .

(e) No changes in the operation of a plant shall be made after a sludge test has been conducted which would potentially increase emissions above the level determined by the most recent sludge test, until the new emission level has been estimated by calculation and the results reported to the Administrator.

(f) All sludge samples shall be analyzed for mercury content within 30 days after the sludge sample is collected. Each determination shall be reported to the Administrator by a registered letter dispatched within 15 calendar days following the date such determination is completed.

(g) Records of sludge sampling, charging rate determination and other data needed to determine mercury content of wastewater treatment plant sludges shall be retained at the source and made available, for inspection by the Administrator, for a minimum of 2 years.

[40 FR 48303, Oct. 14, 1975, as amended at 49 FR 35770, Sept. 12, 1984; 52 FR 8727, Mar. 19, 1987; 53 FR 36972, Sept. 23, 1988]

### § 61.55 Monitoring of emissions and operations.

(a) *Wastewater treatment plant sludge incineration and drying plants.* All the sources for which mercury emissions exceed 1,600 g per 24-hour period, demonstrated either by stack sampling according to § 61.53 or sludge sampling according to § 61.54, shall monitor mercury emissions at intervals of at least once per year by use of Method 105 of appendix B or the procedures specified



## Environmental Protection Agency

## § 61.55

in § 61.53 (d) (2) and (4). The results of monitoring shall be reported and retained according to § 61.53(d) (5) and (6) or § 61.54 (f) and (g).

(b) *Mercury cell chlor-alkali plants—hydrogen and end-box ventilation gas streams.* (1) The owner or operator of each mercury cell chlor-alkali plant shall, within 1 year of the date of publication of these amendments or within 1 year of startup for a plant with initial startup after the date of publication, perform a mercury emission test that demonstrates compliance with the emission limits in § 61.52, on the hydrogen stream by Reference Method 102 and on the end-box stream by Reference Method 101 for the purpose of establishing limits for parameters to be monitored.

(2) During tests specified in paragraph (b)(1) of this section, the following control device parameters shall be monitored, except as provided in paragraph (c) of this section, and recorded manually or automatically at least once every 15 minutes:

(i) The exit gas temperature from uncontrolled streams;

(ii) The outlet temperature of the gas stream for the final (i.e., the farthest downstream) cooling system when no control devices other than coolers and demisters are used;

(iii) The outlet temperature of the gas stream from the final cooling system when the cooling system is followed by a molecular sieve or carbon adsorber;

(iv) Outlet concentration of available chlorine, pH, liquid flow rate, and inlet gas temperature of chlorinated brine scrubbers and hypochlorite scrubbers;

(v) The liquid flow rate and exit gas temperature for water scrubbers;

(vi) The inlet gas temperature of carbon adsorption systems; and

(vii) The temperature during the heating phase of the regeneration cycle for carbon adsorbers or molecular sieves.

(3) The recorded parameters in paragraphs (b)(2)(i) through (b)(2)(vii) of this section shall be averaged over the test period (a minimum of 6 hours) to provide an average number. The highest temperature reading that is measured in paragraph (b)(2)(vii) of this section is to be identified as the reference tem-

perature for use in paragraph (b)(6)(ii) of this section.

(4)(i) Immediately following completion of the emission tests specified in paragraph (b)(1) of this section, the owner or operator of a mercury cell chlor-alkali plant shall monitor and record manually or automatically at least once per hour the same parameters specified in paragraphs (b)(2)(i) through (b)(2)(vi) of this section.

(ii) Immediately following completion of the emission tests specified in paragraph (b)(1) of this section, the owner or operator shall monitor and record manually or automatically, during each heating phase of the regeneration cycle, the temperature specified in paragraph (b)(2)(vii) of this section.

(5) Monitoring devices used in accordance with paragraphs (b)(2) and (b)(4) of this section shall be certified by their manufacturer to be accurate to within 10 percent, and shall be operated, maintained, and calibrated according to the manufacturer's instructions. Records of the certifications and calibrations shall be retained at the chlor-alkali plant and made available for inspection by the Administrator as follows: Certification, for as long as the device is used for this purpose; calibration for a minimum of 2 years.

(6)(i) When the hourly value of a parameter monitored in accordance with paragraph (b)(4)(i) of this section exceeds, or in the case of liquid flow rate and available chlorine falls below the value of that same parameter determined in paragraph (b)(2) of this section for 24 consecutive hours, the Administrator is to be notified within the next 10 days.

(ii) When the maximum hourly value of the temperature measured in accordance with paragraph (b)(4)(ii) of this section is below the reference temperature recorded according to paragraph (b)(3) of this section for three consecutive regeneration cycles, the Administrator is to be notified within the next 10 days.

(7) Semiannual reports shall be submitted to the Administrator indicating the time and date on which the hourly value of each parameter monitored according to paragraphs (b)(4)(i) and (b)(4)(ii) of this section fell outside the

value of that same parameter determined under paragraph (b)(3) of this section; and corrective action taken, and the time and date of the corrective action. Parameter excursions will be considered unacceptable operation and maintenance of the emission control system. In addition, while compliance with the emission limits is determined primarily by conducting a performance test according to the procedures in § 61.53(b), reports of parameter excursions may be used as evidence in judging the duration of a violation that is determined by a performance test.

(8) Semiannual reports required in paragraph (b)(7) of this section shall be submitted to the Administrator on September 15 and March 15 of each year. The first semiannual report is to be submitted following the first full 6 month reporting period. The semiannual report due on September 15 (March 15) shall include all excursions monitored through August 31 (February 28) of the same calendar year.

(c) As an alternative to the monitoring, recordkeeping, and reporting requirements in paragraphs (b)(2) through (8) of this section, an owner or operator may develop and submit for the Administrator's review and approval a plant-specific monitoring plan. To be approved, such a plan must ensure not only compliance with the emission limits of § 61.52(a) but also proper operation and maintenance of emissions control systems. Any site-specific monitoring plan submitted must, at a minimum, include the following:

(1) Identification of the critical parameter or parameters for the hydrogen stream and for the end-box ventilation stream that are to be monitored and an explanation of why the critical parameter(s) selected is the best indicator of proper control system performance and of mercury emission rates.

(2) Identification of the maximum or minimum value of each parameter (e.g., degrees temperature, concentration of mercury) that is not to be exceeded. The level(s) is to be directly correlated to the results of a performance test, conducted no more than 180 days prior to submittal of the plan,

when the facility was in compliance with the emission limits of § 61.52(a).

(3) Designation of the frequency for recording the parameter measurements, with justification if the frequency is less than hourly. A longer recording frequency must be justified on the basis of the amount of time that could elapse during periods of process or control system upsets before the emission limits would be exceeded, and consideration is to be given to the time that would be necessary to repair the failure.

(4) Designation of the immediate actions to be taken in the event of an excursion beyond the value of the parameter established in 2.

(5) Provisions for reporting, semi-annually, parameter excursions and the corrective actions taken, and provisions for reporting within 10 days any significant excursion.

(6) Identification of the accuracy of the monitoring device(s) or of the readings obtained.

(7) Recordkeeping requirements for certifications and calibrations.

(d) *Mercury cell chlor-alkali plants—cell room ventilation system.* (1) Stationary sources determining cell room emissions in accordance with § 61.53(c)(4) shall maintain daily records of all leaks or spills of mercury. The records shall indicate the amount, location, time, and date the leaks or spills occurred, identify the cause of the leak or spill, state the immediate steps taken to minimize mercury emissions and steps taken to prevent future occurrences, and provide the time and date on which corrective steps were taken.

(2) The results of monitoring shall be recorded, retained at the source, and made available for inspection by the Administrator for a minimum of 2 years.

[52 FR 8727, Mar. 19, 1987]

#### § 61.56 Delegation of authority.

(a) In delegating implementation and enforcement authority to a State under section 112(d) of the Act, the authorities contained in paragraph (b) of this section shall be retained by the Administrator and not transferred to a State.

(b) Authorities which will not be delegated to States: Sections 61.53(c)(4) and 61.55(d). The authorities not delegated to States listed are in addition to the authorities in the General Provisions, subpart A of 40 CFR part 61, that will not be delegated to States (§§ 61.04(b), 61.12(d)(1), and 61.13(h)(1)(ii)).

[52 FR 8728, Mar. 19, 1987]

### Subpart F—National Emission Standard for Vinyl Chloride

SOURCE: 41 FR 46564, Oct. 21, 1976, unless otherwise noted.

#### § 61.60 Applicability.

(a) This subpart applies to plants which produce:

(1) Ethylene dichloride by reaction of oxygen and hydrogen chloride with ethylene,

(2) Vinyl chloride by any process, and/or

(3) One or more polymers containing any fraction of polymerized vinyl chloride.

(b) This subpart does not apply to equipment used in research and development if the reactor used to polymerize the vinyl chloride processed in the equipment has a capacity of no more than 0.19 m<sup>3</sup> (50 gal).

(c) Sections of this subpart other than §§ 61.61; 61.64 (a)(1), (b), (c), and (d); 61.67; 61.68; 61.69; 61.70; and 61.71 do not apply to equipment used in research and development if the reactor used to polymerize the vinyl chloride processed in the equipment has a capacity of greater than 0.19 m<sup>3</sup>(50 gal) and no more than 4.17 m<sup>3</sup>(1100 gal).

[41 FR 46564, Oct. 21, 1976, as amended at 42 FR 29006, June 7, 1977; 53 FR 36972, Sept. 23, 1988; 57 FR 60999, Dec. 23, 1992]

#### § 61.61 Definitions.

Terms used in this subpart are defined in the Act, in subpart A of this part, or in this section as follows:

(a) *Ethylene dichloride plant* includes any plant which produces ethylene dichloride by reaction of oxygen and hydrogen chloride with ethylene.

(b) *Vinyl chloride plant* includes any plant which produces vinyl chloride by any process.

(c) *Polyvinyl chloride plant* includes any plant where vinyl chloride alone or in combination with other materials is polymerized.

(d) *Slip gauge* means a gauge which has a probe that moves through the gas/liquid interface in a storage or transfer vessel and indicates the level of vinyl chloride in the vessel by the physical state of the material the gauge discharges.

(e) *Type of resin* means the broad classification of resin referring to the basic manufacturing process for producing that resin, including, but not limited to, the suspension, dispersion, latex, bulk, and solution processes.

(f) *Grade of resin* means the subdivision of resin classification which describes it as a unique resin, i.e., the most exact description of a resin with no further subdivision.

(g) *Dispersion resin* means a resin manufactured in such a way as to form fluid dispersions when dispersed in a plasticizer or plasticizer/diluent mixtures.

(h) *Latex resin* means a resin which is produced by a polymerization process which initiates from free radical catalyst sites and is sold undried.

(i) *Bulk resin* means a resin which is produced by a polymerization process in which no water is used.

(j) *Inprocess wastewater* means any water which, during manufacturing or processing, comes into direct contact with vinyl chloride or polyvinyl chloride or results from the production or use of any raw material, intermediate product, finished product, by-product, or waste product containing vinyl chloride or polyvinyl chloride but which has not been discharged to a wastewater treatment process or discharged untreated as wastewater. Gasholder seal water is not inprocess wastewater until it is removed from the gasholder.

(k) *Wastewater treatment process* includes any process which modifies characteristics such as BOD, COD, TSS, and pH, usually for the purpose of meeting effluent guidelines and standards; it does not include any process the purpose of which is to remove vinyl chloride from water to meet requirements of this subpart.

(l) *In vinyl chloride service* means that a piece of equipment either contains or

contacts a liquid that is at least 10 percent vinyl chloride by weight or a gas that is at least 10 percent by volume vinyl chloride as determined according to the provisions of §61.67(h). The provisions of §61.67(h) also specify how to determine that a piece of equipment is not in vinyl chloride service. For the purposes of this subpart, this definition must be used in place of the definition of "in VHAP service" in subpart V of this part.

(m) *Standard operating procedure* means a formal written procedure officially adopted by the plant owner or operator and available on a routine basis to those persons responsible for carrying out the procedure.

(n) *Run* means the net period of time during which an emission sample is collected.

(o) *Ethylene dichloride purification* includes any part of the process of ethylene dichloride purification following ethylene dichloride formation, but excludes crude, intermediate, and final ethylene dichloride storage tanks.

(p) *Vinyl chloride purification* includes any part of the process of vinyl chloride production which follows vinyl chloride formation.

(q) *Reactor* includes any vessel in which vinyl chloride is partially or totally polymerized into polyvinyl chloride.

(r) *Reactor opening loss* means the emissions of vinyl chloride occurring when a reactor is vented to the atmosphere for any purpose other than an emergency relief discharge as defined in §61.65(a).

(s) *Stripper* includes any vessel in which residual vinyl chloride is removed from polyvinyl chloride resin, except bulk resin, in the slurry form by the use of heat and/or vacuum. In the case of bulk resin, stripper includes any vessel which is used to remove residual vinyl chloride from polyvinyl chloride resin immediately following the polymerization step in the plant process flow.

(t) *Standard temperature* means a temperature of 20 °C (69 °F).

(u) *Standard pressure* means a pressure of 760 mm of Hg (29.92 in. of Hg).

(v) *Relief valve* means each pressure relief device including pressure relief valves, rupture disks and other pres-

sure relief systems used to protect process components from overpressure conditions. "Relief valve" does not include polymerization shortstop systems, refrigerated water systems or control valves or other devices used to control flow to an incinerator or other air pollution control device.

(w) *Leak* means any of several events that indicate interruption of confinement of vinyl chloride within process equipment. Leaks include events regulated under subpart V of this part such as:

(1) An instrument reading of 10,000 ppm or greater measured according to Method 21 (see appendix A of 40 CFR part 60);

(2) A sensor detection of failure of a seal system, failure of a barrier fluid system, or both;

(3) Detectable emissions as indicated by an instrument reading of greater than 500 ppm above background for equipment designated for no detectable emissions measured according to Test Method 21 (see appendix A of 40 CFR part 60); and

(4) In the case of pump seals regulated under §61.242-2, indications of liquid dripping constituting a leak under §61.242-2.

Leaks also include events regulated under §61.65(b)(8)(i) for detection of ambient concentrations in excess of background concentrations. A relief valve discharge is not a leak.

(x) *Exhaust gas* means any offgas (the constituents of which may consist of any fluids, either as a liquid and/or gas) discharged directly or ultimately to the atmosphere that was initially contained in or was in direct contact with the equipment for which gas limits are prescribed in §§61.62(a) and (b); 61.63(a); 61.64 (a)(1), (b), (c), and (d); 61.65 (b)(1)(ii), (b)(2), (b)(3), (b)(5), (b)(6)(ii), (b)(7), and (b)(9)(ii); and 61.65(d). A leak as defined in paragraph (w) of this section is not an exhaust gas. Equipment which contains exhaust gas is subject to §61.65(b)(8), whether or not that equipment contains 10 percent by volume vinyl chloride.

(y) *Relief valve discharge* means any nonleak discharge through a relief valve.

## Environmental Protection Agency

## § 61.64

(z) *3-hour period* means any three consecutive 1-hour periods (each commencing on the hour), provided that the number of 3-hour periods during which the vinyl chloride concentration exceeds 10 ppm does not exceed the number of 1-hour periods during which the vinyl chloride concentration exceeds 10 ppm.

[41 FR 46564, Oct. 21, 1976, as amended at 42 FR 29006, June 7, 1977; 51 FR 34908, Sept. 30, 1986; 55 FR 28348, July 10, 1990]

### § 61.62 Emission standard for ethylene dichloride plants.

(a) *Ethylene dichloride purification.* The concentration of vinyl chloride in each exhaust gas stream from any equipment used in ethylene dichloride purification is not to exceed 10 ppm (average for 3-hour period), except as provided in § 61.65(a). This requirement does not preclude combining of exhaust gas streams provided the combined stream is ducted through a control system from which the concentration of vinyl chloride in the exhaust gases does not exceed 10 ppm, or equivalent as provided in § 61.66. This requirement does not apply to equipment that has been opened, is out of operation, and met the requirement in § 61.65(b)(6)(i) before being opened.

(b) *Oxychlorination reactor.* Except as provided in § 61.65(a), emissions of vinyl chloride to the atmosphere from each oxychlorination reactor are not to exceed 0.2 g/kg (0.0002 lb/lb) (average for 3-hour period) of the 100 percent ethylene dichloride product from the oxychlorination process.

[51 FR 34909, Sept. 30, 1986]

### § 61.63 Emission standard for vinyl chloride plants.

An owner or operator of a vinyl chloride plant shall comply with the requirements of this section and § 61.65.

(a) Vinyl chloride formation and purification: The concentration of vinyl chloride in each exhaust gas stream from any equipment used in vinyl chloride formation and/or purification is not to exceed 10 ppm (average for 3-hour period), except as provided in § 61.65(a). This requirement does not preclude combining of exhaust gas streams provided the combined steam is ducted through a control system

from which the concentration of vinyl chloride in the exhaust gases does not exceed 10 ppm, or equivalent as provided in § 61.66. This requirement does not apply to equipment that has been opened, is out of operation, and met the requirement in § 61.65(b)(6)(i) before being opened.

[51 FR 34909, Sept. 30, 1986]

### § 61.64 Emission standard for polyvinyl chloride plants.

An owner or operator of a polyvinyl chloride plant shall comply with the requirements of this section and § 61.65.

(a) *Reactor.* The following requirements apply to reactors:

(1) The concentration of vinyl chloride in each exhaust gas stream from each reactor is not to exceed 10 ppm (average for 3-hour period), except as provided in paragraph (a)(2) of this section and § 61.65(a).

(2) The reactor opening loss from each reactor is not to exceed 0.02 g vinyl chloride/kg (0.00002 lb vinyl chloride/lb) of polyvinyl chloride product, except as provided in paragraph (f)(1) of this section, with the product determined on a dry solids basis. This requirement does not apply to prepolymerization reactors in the bulk process. This requirement does apply to postpolymerization reactors in the bulk process, where the product means the gross product of prepolymerization and postpolymerization.

(3) Manual vent valve discharge. Except for an emergency manual vent valve discharge, there is to be no discharge to the atmosphere from any manual vent valve on a polyvinyl chloride reactor in vinyl chloride service. An emergency manual vent valve discharge means a discharge to the atmosphere which could not have been avoided by taking measures to prevent the discharge. Within 10 days of any discharge to the atmosphere from any manual vent valve, the owner or operator of the source from which the discharge occurs shall submit to the Administrator a report in writing containing information on the source, nature and cause of the discharge, the date and time of the discharge, the approximate total vinyl chloride loss during the discharge, the method used for determining the vinyl chloride loss

(the calculation of the vinyl chloride loss), the action that was taken to prevent the discharge, and measures adopted to prevent future discharges.

(b) *Stripper*. The concentration of vinyl chloride in each exhaust gas stream from each stripper is not to exceed 10 ppm (average for 3-hour period), except as provided in § 61.65(a). This requirement does not apply to equipment that has been opened, is out of operation, and met the requirement in § 61.65(b)(6)(i) before being opened.

(c) *Mixing, weighing, and holding containers*. The concentration of vinyl chloride in each exhaust gas stream from each mixing, weighing, or holding container in vinyl chloride service which precedes the stripper (or the reactor if the plant has no stripper) in the plant process flow is not to exceed 10 ppm (average for 3-hour period), except as provided in § 61.65(a). This requirement does not apply to equipment that has been opened, is out of operation, and met the requirement in § 61.65(b)(6)(i) before being opened.

(d) *Monomer recovery system*. The concentration of vinyl chloride in each exhaust gas stream from each monomer recovery system is not to exceed 10 ppm (average for 3-hour period), except as provided in § 61.65(a). This requirement does not apply to equipment that has been opened, is out of operation, and met the requirement in § 61.65(b)(6)(i) before being opened.

(e) *Sources following the stripper(s)*. The following requirements apply to emissions of vinyl chloride to the atmosphere from the combination of all sources following the stripper(s) [or the reactor(s) if the plant has no stripper(s)] in the plant process flow including but not limited to, centrifuges, concentrators, blend tanks, filters, dryers, conveyor air discharges, baggers, storage containers, and inprocess wastewater, except as provided in paragraph (f) of this section:

(1) In polyvinyl chloride plants using stripping technology to control vinyl chloride emissions, the weighted average residual vinyl chloride concentration in all grades of polyvinyl chloride resin processed through the stripping operation on each calendar day, measured immediately after the stripping

operation is completed, may not exceed:

(i) 2000 ppm for polyvinyl chloride dispersion resins, excluding latex resins;

(ii) 400 ppm for all other polyvinyl chloride resins, including latex resins, averaged separately for each type of resin; or

(2) In polyvinyl chloride plants controlling vinyl chloride emissions with technology other than stripping or in addition to stripping, emissions of vinyl chloride to the atmosphere may not exceed:

(i) 2 g/kg (0.002 lb/lb) product from the stripper(s) [or reactor(s) if the plant has no stripper(s)] for dispersion polyvinyl chloride resins, excluding latex resins, with the product determined on a dry solids basis;

(ii) 0.4 g/kg (0.0004 lb/lb) product from the strippers [or reactor(s) if the plant has no stripper(s)] for all other polyvinyl chloride resins, including latex resins, with the product determined on a dry solids basis.

(3) The provisions of this paragraph apply at all times including when off-specification or other types of resins are made.

(f) *Reactor used as stripper*. When a nonbulk resin reactor is used as a stripper this paragraph may be applied in lieu of § 61.64 (a)(2) and (e)(1):

(1) The weighted average emissions of vinyl chloride from reactor opening loss and all sources following the reactor used as a stripper from all grades of polyvinyl chloride resin stripped in the reactor on each calendar day may not exceed:

(i) 2.02 g/kg (0.00202 lb/lb) of polyvinyl chloride product for dispersion polyvinyl chloride resins, excluding latex resins, with the product determined on a dry solids basis.

(ii) 0.42 g/kg (0.00042 lb/lb) of polyvinyl chloride product for all other polyvinyl chloride resins, including latex resins, with the product determined on a dry solids basis.

[41 FR 46564, Oct. 21, 1976, as amended at 51 FR 34909, Sept. 30, 1986; 53 FR 36972, Sept. 23, 1988]

**§ 61.65 Emission standard for ethylene dichloride, vinyl chloride and polyvinyl chloride plants.**

An owner or operator of an ethylene dichloride, vinyl chloride, and/or polyvinyl chloride plant shall comply with the requirements of this section.

(a) *Relief valve discharge.* Except for an emergency relief discharge, and except as provided in § 61.65(d), there is to be no discharge to the atmosphere from any relief valve on any equipment in vinyl chloride service. An emergency relief discharge means a discharge which could not have been avoided by taking measures to prevent the discharge. Within 10 days of any relief valve discharge, except for those subject to § 61.65(d), the owner or operator of the source from which the relief valve discharge occurs shall submit to the Administrator a report in writing containing information on the source, nature and cause of the discharge, the date and time of the discharge, the approximate total vinyl chloride loss during the discharge, the method used for determining the vinyl chloride loss (the calculation of the vinyl chloride loss), the action that was taken to prevent the discharge, and measures adopted to prevent future discharges.

(b) *Fugitive emission sources*—(1) *Loading and unloading lines.* Vinyl chloride emissions from loading and unloading lines in vinyl chloride service which are opened to the atmosphere after each loading or unloading operation are to be minimized as follows:

(i) After each loading or unloading operation and before opening a loading or unloading line to the atmosphere, the quantity of vinyl chloride in all parts of each loading or unloading line that are to be opened to the atmosphere is to be reduced so that the parts combined contain no greater than 0.0038 m<sup>3</sup> (0.13 ft<sup>3</sup>) of vinyl chloride, at standard temperature and pressure; and

(ii) Any vinyl chloride removed from a loading or unloading line in accordance with paragraph (b)(1)(i) of this section is to be ducted through a control system from which the concentration of vinyl chloride in the exhaust gases does not exceed 10 ppm (average for 3-hour period), or equivalent as provided in § 61.66.

(2) *Slip gauges.* During loading or unloading operations, the vinyl chloride emissions from each slip gauge in vinyl chloride service are to be minimized by ducting any vinyl chloride discharged from the slip gauge through a control system from which the concentration of vinyl chloride in the exhaust gases does not exceed 10 ppm (average for 3-hour period), or equivalent as provided in § 61.66.

(3) Leakage from pump, compressor, and agitator seals:

(i) *Rotating pumps.* Vinyl chloride emissions from seals on all rotating pumps in vinyl chloride service are to be minimized by installing sealless pumps, pumps with double mechanical seals or equivalent as provided in § 61.66. If double mechanical seals are used, vinyl chloride emissions from the seals are to be minimized by maintaining the pressure between the two seals so that any leak that occurs is into the pump; by ducting any vinyl chloride between the two seals through a control system from which the concentration of vinyl chloride in the exhaust gases does not exceed 10 ppm; or equivalent as provided in § 61.66. Compliance with the provisions of 40 CFR part 61 subpart V demonstrates compliance with the provisions of this paragraph.

(ii) *Reciprocating pumps.* Vinyl chloride emissions from seals on all reciprocating pumps in vinyl chloride service are to be minimized by installing double outboard seals, or equivalent as provided in § 61.66. If double outboard seals are used, vinyl chloride emissions from the seals are to be minimized by maintaining the pressure between the two seals so that any leak that occurs is into the pump; by ducting any vinyl chloride between the two seals through a control system from which the concentration of vinyl chloride in the exhaust gases does not exceed 10 ppm; or equivalent as provided in § 61.66. Compliance with the provisions of 40 CFR part 61 subpart V demonstrates compliance with the provisions of this paragraph.

(iii) *Rotating compressor.* Vinyl chloride emissions from seals on all rotating compressors in vinyl chloride service are to be minimized by installing compressors with double mechanical seals, or equivalent as provided in

## §61.65

## 40 CFR Ch. I (7-1-00 Edition)

§61.66. If double mechanical seals are used, vinyl chloride emissions from the seals are to be minimized by maintaining the pressure between the two seals so that any leak that occurs is into the compressor; by ducting any vinyl chloride between the two seals through a control system from which the concentration of vinyl chloride in the exhaust gases does not exceed 10 ppm; or equivalent as provided in §61.66. Compliance with the provisions of 40 CFR part 61 subpart V demonstrates compliance with the provisions of this paragraph.

(iv) *Reciprocating compressors.* Vinyl chloride emissions from seals on all reciprocating compressors in vinyl chloride service are to be minimized by installing double outboard seals, or equivalent as provided in §61.66. If double outboard seals are used, vinyl chloride emissions from the seals are to be minimized by maintaining the pressure between the two seals so that any leak that occurs is into the compressor; by ducting any vinyl chloride between the two seals through a control system from which concentration of vinyl chloride in the exhaust gases does not exceed 10 ppm; or equivalent as provided in §61.66. Compliance with the provisions of 40 CFR part 61 subpart V demonstrates compliance with the provisions of this paragraph.

(v) *Agitator.* Vinyl chloride emissions from seals on all agitators in vinyl chloride service are to be minimized by installing agitators with double mechanical seals, or equivalent as provided in §61.66. If double mechanical seals are used, vinyl chloride emissions from the seals are to be minimized by maintaining the pressure between the two seals so that any leak that occurs is into the agitated vessel; by ducting any vinyl chloride between the two seals through a control system from which the concentration of vinyl chloride in the exhaust gases does not exceed 10 ppm; or equivalent as provided in §61.66.

(4) *Leaks from relief valves.* Vinyl chloride emissions due to leaks from each relief valve on equipment in vinyl chloride service shall comply with §61.242-4 of subpart V of this part.

(5) *Manual venting of gases.* Except as provided in §61.64(a)(3), all gases which

are manually vented from equipment in vinyl chloride service are to be ducted through a control system from which the concentration of vinyl chloride in the exhaust gases does not exceed 10 ppm (average for 3-hour period); or equivalent as provided in §61.66.

(6) *Opening of equipment.* Vinyl chloride emissions from opening of equipment (excluding crude, intermediate, and final EDC storage tanks, but including prepolymerization reactors used in the manufacture of bulk resins and loading or unloading lines that are not opened to the atmosphere after each loading or unloading operation) are to be minimized follows:

(i) Before opening any equipment for any reason, the quantity of vinyl chloride which is contained therein is to be reduced to an amount which occupies a volume of no more than 2.0 percent of the equipment's containment volume or 0.0950 cubic meters (25 gallons), whichever is larger, at standard temperature and pressure.

(ii) Any vinyl chloride removed from the equipment in accordance with paragraph (b)(6)(i) of this section is to be ducted through a control system from which the concentration of vinyl chloride in the exhaust gases does not exceed 10 ppm (average for 3-hour period); or equivalent as provided in §61.66.

(7) *Samples.* Unused portions of samples containing at least 10 percent by weight vinyl chloride are to be returned to the process or destroyed in a control device from which concentration of vinyl chloride in the exhaust gas does not exceed 10 ppm (average for 3-hour period) or equivalent as provided in §61.66. Sampling techniques are to be such that sample containers in vinyl chloride service are purged into a closed process system. Compliance with the provisions of 40 CFR part 61 subpart V demonstrates compliance with the provisions of this paragraph.

(8) *Leak detection and elimination.* Vinyl chloride emissions due to leaks from equipment in vinyl chloride service are to be minimized as follows:

(i) A reliable and accurate vinyl chloride monitoring system shall be operated for detection of major leaks and identification of the general area of the plant where a leak is located. A vinyl



chloride monitoring system means a device which obtains air samples from one or more points on a continuous sequential basis and analyzes the samples with gas chromatography or, if the owner or operator assumes that all hydrocarbons measured are vinyl chloride, with infrared spectrophotometry, flame ion detection, or an equivalent or alternative method. The vinyl chloride monitoring system shall be operated according to a program developed by the plant owner or operator. The owner or operator shall submit a description of the program to the Administrator within 45 days of the effective date of these regulations, unless a waiver of compliance is granted under § 61.11, or the program has been approved and the Administrator does not request a review of the program. Approval of a program will be granted by the Administrator provided he finds:

(A) The location and number of points to be monitored and the frequency of monitoring provided for in the program are acceptable when they are compared with the number of pieces of equipment in vinyl chloride service and size and physical layout of the plant.

(B) It contains a definition of leak which is acceptable when compared with the background concentrations of vinyl chloride in the areas of the plant to be monitored by the vinyl chloride monitoring system. Measurements of background concentrations of vinyl chloride in the areas of the plant to be monitored by the vinyl chloride monitoring system are to be included with the description of the program. The definition of leak for a given plant may vary among the different areas within the plant and is also to change over time as background concentrations in the plant are reduced.

(C) It contains an acceptable plan of action to be taken when a leak is detected.

(D) It provides for an acceptable calibration and maintenance schedule for the vinyl chloride monitoring system and portable hydrocarbon detector. For the vinyl chloride monitoring system, a daily span check is to be conducted with a concentration of vinyl chloride equal to the concentration defined as a leak according to paragraph (b)(8)(i)(B)

of this section. The calibration is to be done with either:

(1) A calibration gas mixture prepared from the gases specified in sections 5.2.1. and 5.2.2. of Test Method 106 and in accordance with section 7.1 of Test Method 106, or

(2) A calibration gas cylinder standard containing the appropriate concentration of vinyl chloride. The gas composition of the calibration gas cylinder standard is to have been certified by the manufacturer. The manufacturer must have recommended a maximum shelf life for each cylinder so that the concentration does not change greater than  $\pm 5$  percent from the certified value. The date of gas cylinder preparation, certified vinyl chloride concentration, and recommended maximum self life must have been affixed to the cylinder before shipment from the manufacturer to the buyer. If a gas chromatograph is used as the vinyl chloride monitoring system, these gas mixtures may be directly used to prepare a chromatograph calibration curve as described in section 7.3 of Test Method 106. The requirements in section 5.2.3.1. and 5.2.3.2. of Test Method 106 for certification of cylinder standards and for establishment and verification of calibration standards are to be followed.

(ii) For each process unit subject to this subpart, a formal leak detection and repair program shall be implemented consistent with subpart V of this part, except as provided in paragraph (b)(8)(iii) of this section. This program is to be implemented within 90 days of the effective date of these regulations, unless a waiver of compliance is granted under § 61.11. Except as provided in paragraph (b)(8)(ii)(E) of this section, an owner or operator shall be exempt from § 61.242-1(d), § 61.242-7 (a), (b), and (c), § 61.246, and § 61.247 of subpart V of this part for any process unit in which the percentage of leaking valves is demonstrated to be less than 2.0 percent, as determined in accordance with the following:

(A) A performance test as specified in paragraph (b)(8)(ii)(B) of this section shall be conducted initially within 90 days of the effective date of these regulations, annually, and at times requested by the Administrator.

§ 61.65

40 CFR Ch. I (7-1-00 Edition)

(B) For each performance test, a minimum of 200 or 90 percent, whichever is less, of the total valves in VOC service (as defined in § 60.481 of subpart VV of part 60) within the process unit shall be randomly selected and monitored within 1 week by the methods specified in § 61.245(b) of this part. If an instrument reading of 10,000 ppm or greater is measured, a leak is detected. The leak percentage shall be determined by dividing the number of valves in VOC service for which leaks are detected by the number of tested valves in VOC service.

(C) If a leak is detected, it shall be repaired in accordance with § 61.242-7 (d) and (e) of subpart V of this part.

(D) The results of the performance test shall be submitted in writing to the Administrator in the first quarterly report following the performance test as part of the reporting requirements of § 61.70.

(E) Any process unit in which the percentage of leaking valves is found to be greater than 2.0 percent according to the performance test prescribed in paragraph (b)(8)(ii)(B) of this section must comply with all provisions of subpart V of this part within 90 days.

(iii) Open-ended valves or lines located on multiple service process lines which operate in vinyl chloride service less than 10 percent of the time are exempt from the requirements of § 61.242-6 of subpart V, provided the open-ended valves or lines are addressed in the monitoring system required by paragraph (b)(8)(i) of this section. The Administrator may apply this exemption to other existing open-ended valves or lines that are demonstrated to require significant retrofit cost to comply with the requirements of § 61.242-6 of subpart V.

(9) *Inprocess wastewater.* Vinyl chloride emissions to the atmosphere from inprocess wastewater are to be reduced as follows:

(i) The concentration of vinyl chloride in each inprocess wastewater stream containing greater than 10 ppm vinyl chloride measured immediately as it leaves a piece of equipment and before being mixed with any other inprocess wastewater stream is to be reduced to no more than 10 ppm by weight before being mixed with any

other inprocess wastewater stream which contains less than 10 ppm vinyl chloride; before being exposed to the atmosphere; before being discharged to a wastewater treatment process; or before being discharged untreated as a wastewater. This paragraph does apply to water which is used to displace vinyl chloride from equipment before it is opened to the atmosphere in accordance with § 61.64(a)(2) or paragraph (b)(6) of this section, but does not apply to water which is used to wash out equipment after the equipment has already been opened to the atmosphere in accordance with § 61.64(a)(2) or paragraph (b)(6) of this section.

(ii) Any vinyl chloride removed from the inprocess wastewater in accordance with paragraph (b)(9)(i) of this section is to be ducted through a control system from which the concentration of vinyl chloride in the exhaust gases does not exceed 10 ppm (average for 3-hour period); or equivalent as provided in § 61.66.

(c) The requirements in paragraphs (b)(1), (b)(2), (b)(5), (b)(6), (b)(7) and (b)(8) of this section are to be incorporated into a standard operating procedure, and made available upon request for inspection by the Administrator. The standard operating procedure is to include provisions for measuring the vinyl chloride in equipment 4.75 m<sup>3</sup> (1255 gal) in volume for which an emission limit is prescribed in § 61.65(b)(6)(i) after opening the equipment and using Test Method 106, a portable hydrocarbon detector, or an alternative method. The method of measurement is to meet the requirements in § 61.67(g)(5)(i)(A) or (g)(5)(i)(B).

(d) A RVD that is ducted to a control device that is continually operating while emissions from the release are present at the device is subject to the following requirements:

(1) A discharge from a control device other than a flare shall not exceed 10 ppm (average over a 3-hour period) as determined by the continuous emission monitor system required under § 61.68. Such a discharge is subject to the requirements of § 61.70.

(2) For a discharge routed to a flare, the flare shall comply with the requirements of § 60.18.

## Environmental Protection Agency

## § 61.67

(i) Flare operations shall be monitored in accordance with the requirements of §§ 60.18(d) and 60.18(f)(2). For the purposes of § 60.18(d), the volume and component concentration of each relief valve discharge shall be estimated and calculation shall be made to verify ongoing compliance with the design and operating requirements of §§ 60.18 (c)(3) through (c)(6). If more than one relief valve is discharged simultaneously to a single flare, these calculations shall account for the cumulative effect of all such relief valve discharges. These calculations shall be made and reported quarterly for all discharges within the quarter. Failure to comply with any of the requirements of this paragraph will be a violation of § 61.65(d)(2). Monitoring for the presence of a flare pilot flame shall be conducted in accordance with § 60.18(f)(2). If the results of this monitoring or any other information shows that the pilot flame is not present 100 percent of the time during which a relief valve discharge is routed to the flare, the relief valve discharge is subject to the provisions of § 61.65(a).

(ii) A report describing the flare design shall be provided to the Administrator not later than 90 days after the adoption of this provision or within 30 days of the installation of a flare system for control of relief valve discharge whichever is later. The flare design report shall include calculations based upon expected relief valve discharge component concentrations and net heating values (for PVC this calculation shall be based on values expected if a release occurred at the instant the polymerization starts); and estimated maximum exit velocities based upon the design throat capacity of the gas in the relief valve.

[41 FR 46564, Oct. 21, 1976; 41 FR 53017, Dec. 3, 1976, as amended at 42 FR 29006, June 7, 1977; 51 FR 34910, Sept. 30, 1986; 53 FR 36972, Sept. 23, 1988; 55 FR 28348, July 10, 1990]

### § 61.66 Equivalent equipment and procedures.

Upon written application from an owner or operator, the Administrator may approve use of equipment or procedures which have been demonstrated to his satisfaction to be equivalent in terms of reducing vinyl chloride emis-

sions to the atmosphere to those prescribed for compliance with a specific paragraph of this subpart.

[51 FR 34912, Sept. 30, 1986]

### § 61.67 Emission tests.

(a) Unless a waiver of emission testing is obtained under § 61.13, the owner or operator of a source to which this subpart applies shall test emissions from the source,

(1) Within 90 days of the effective date in the case of an existing source or a new source which has an initial startup date preceding the effective date, or

(2) Within 90 days of startup in the case of a new source, initial startup of which occurs after the effective date.

(b) The owner or operator shall provide the Administrator at least 30 days prior notice of an emission test to afford the Administrator the opportunity to have an observer present during the test.

(c) Any emission test is to be conducted while the equipment being tested is operating at the maximum production rate at which the equipment will be operated and under other relevant conditions as may be specified by the Administrator based on representative performance of the source.

(d) [Reserved]

(e) When at all possible, each sample is to be analyzed within 24 hours, but in no case in excess of 72 hours of sample collection. Vinyl chloride emissions are to be determined within 30 days after the emission test. The owner or operator shall report the determinations to the Administrator by a registered letter dispatched before the close of the next business day following the determination.

(f) The owner or operator shall retain at the plant and make available, upon request, for inspection by the Administrator, for a minimum of 3 years, records of emission test results and other data needed to determine emissions.

(g) Unless otherwise specified, the owner or operator shall use test Test Methods in appendix B to this part for each test as required by paragraphs (g)(1), (g)(2), (g)(3), (g)(4), and (g)(5) of this section, unless an alternative

§61.67

40 CFR Ch. I (7-1-00 Edition)

method has been approved by the Administrator. If the Administrator finds reasonable grounds to dispute the results obtained by an alternative method, he may require the use of a reference method. If the results of the reference and alternative methods do not agree, the results obtained by the reference method prevail, and the Administrator may notify the owner or operator that approval of the method previously considered to be alternative is withdrawn. Whenever Test Method 107 is specified, and the conditions in Section 1.1, "Applicability" of Method 107A are met, Method 107A may be used.

(1) Test Method 106 is to be used to determine the vinyl chloride emissions from any source for which an emission limit is prescribed in §61.62 (a) or (b) §61.63(a), or §61.64(a)(1), (b), (c), or (d), or from any control system to which reactor emissions are required to be ducted in §61.64(a)(2) or to which fugitive emissions are required to be ducted is §61.65(b)(1)(ii), (b)(2), (b)(5), (b)(6)(ii), or (b)(9)(ii).

(i) For each run, one sample is to be collected. The sampling site is to be at least two stack or duct diameters downstream and one half diameter upstream from any flow disturbance such as a bend, expansion, contraction, or visible flame. For a rectangular cross section an equivalent diameter is to be determined from the following equation:

$$\text{equivalent diameter} = 2 \frac{(\text{length})(\text{width})}{\text{length} + \text{width}}$$

The sampling point in the duct is to be at the centroid of the cross section. The sample is to be extracted at a rate proportional to the gas velocity at the sampling point. The sample is to contain a minimum volume of 50 liters corrected to standard conditions and is to be taken over a period as close to 1 hour as practicable.

(ii) Each emission test is to consist of three runs. For the purpose of determining emissions, the average of results of all runs is to apply. The average is to be computed on a time weighted basis.

(iii) For gas streams containing more than 10 percent oxygen the concentration of vinyl chloride as determined by

Test Method 106 is to be corrected to 10 percent oxygen (dry basis) for determination of emissions by using the following equation:

$$C_b (\text{corrected}) = C_b \frac{10.9}{20.9 - \text{percent } O_2}$$

where:

$C_b (\text{corrected})$  = The concentration of vinyl chloride in the exhaust gases, corrected to 10-percent oxygen.

$C_b$  = The concentration of vinyl chloride as measured by Test Method 106.

20.9 = Percent oxygen in the ambient air at standard conditions.

10.9 = Percent oxygen in the ambient air at standard conditions, minus the 10.0-percent oxygen to which the correction is being made.

Percent  $O_2$  = Percent oxygen in the exhaust gas as measured by Reference Method 3 in appendix A of part 60 of this chapter.

(iv) For those emission sources where the emission limit is prescribed in terms of mass rather than concentration, mass emissions in kg/100 kg product are to be determined by using the following equation:

$$C_{BX} = [C_b(2.60) Q 10^{-6}] [100]/Z$$

where:

$C_{BX}$  = kg vinyl chloride/100 kg product.

$C_b$  = The concentration of vinyl chloride as measured by Test Method 106.

2.60 = Density of vinyl chloride at one atmosphere and 20 °C in kg/m<sup>3</sup>.

$Q$  = Volumetric flow rate in m<sup>3</sup>/hr as determined by Reference Method 2 of appendix A to part 60 of this chapter.

$10^{-6}$  = Conversion factor for ppm.

$Z$  = Production rate (kg/hr).

(2) Test Method 107 or Method 601 (incorporated by reference as specified in §61.18) is to be used to determine the concentration of vinyl chloride in each inprocess wastewater stream for which an emission limit is prescribed in §61.65(b)(9)(i).

(3) When a stripping operation is used to attain the emission limits in §61.64 (e) and (f), emissions are to be determined using Test Method 107 as follows:

(i) The number of strippers (or reactors used as strippers) and samples and the types and grades of resin to be sampled are to be determined by the Administrator for each individual plant at the time of the test based on the plant's operation.

## Environmental Protection Agency

## § 61.67

(ii) Each sample is to be taken immediately following the stripping operation.

(iii) The corresponding quantity of material processed by each stripper (or reactor used as a stripper) is to be determined on a dry solids basis and by a method submitted to and approved by the Administrator.

(iv) At the prior request of the Administrator, the owner or operator shall provide duplicates of the samples required in paragraph (g)(3)(i) of this section.

(4) Where control technology other than or in addition to a stripping operation is used to attain the emission limit in § 61.64(e), emissions are to be determined as follows:

(i) Test Method 106 is to be used to determine atmospheric emissions from all of the process equipment simultaneously. The requirements of paragraph (g)(1) of this section are to be met.

(ii) Test Method 107 is to be used to determine the concentration of vinyl chloride in each inprocess wastewater stream subject to the emission limit prescribed in § 61.64(e). The mass of vinyl chloride in kg/100 kg product in each inprocess wastewater stream is to be determined by using the following equation:

$$C_{BX} = [C_d R 10^{-6}] [100]/Z$$

where:

$C_{BX}$  = kg vinyl chloride/100 kg product.

$C_d$  = the concentration of vinyl chloride as measured by Test Method 107.

$R$  = water flow rate in l/hr, determined in accordance with a method which has been submitted to and approved by the Administrator.

$10^{-6}$  = Conversion factor for ppm.

$Z$  = Production rate (kg/hr), determined in accordance with a method which has been submitted and approved by the Administrator.

(5) The reactor opening loss for which an emission limit is prescribed in § 61.64(a)(2) is to be determined. The number of reactors for which the determination is to be made is to be specified by the Administrator for each individual plant at the time of the determination based on the plant's operation.

(i) Except as provided in paragraph (g)(5)(ii) of this section, the reactor

opening loss is to be determined using the following equation:

$$C = W (2.60) (10^6) (Cb) / YZ$$

where:

$C$  = kg vinyl chloride emissions/kg product.

$W$  = Capacity of the reactor in  $m^3$ .

$2.60$  = Density of vinyl chloride at one atmosphere and  $20^\circ C$  in  $kg/m^3$ .

$10^{-6}$  = Conversion factor for ppm.

$C_b$  = ppm by volume vinyl chloride as determined by Test Method 106 or a portable hydrocarbon detector which measures hydrocarbons with a sensitivity of at least 10 ppm.

$Y$  = Number of batches since the reactor was last opened to the atmosphere.

$Z$  = Average kg of polyvinyl chloride produced per batch in the number of batches since the reactor was last opened to the atmosphere.

(A) If Method 106 is used to determine the concentration of vinyl chloride ( $C_b$ ), the sample is to be withdrawn at a constant rate with a probe of sufficient length to reach the vessel bottom from the manhole. Samples are to be taken for 5 minutes within 6 inches of the vessel bottom, 5 minutes near the vessel center, and 5 minutes near the vessel top.

(B) If a portable hydrocarbon detector is used to determine the concentration of vinyl chloride ( $C_b$ ), a probe of sufficient length to reach the vessel bottom from the manhole is to be used to make the measurements. One measurement will be made within 6 inches of the vessel bottom, one near the vessel center and one near the vessel top. Measurements are to be made at each location until the reading is stabilized. All hydrocarbons measured are to be assumed to be vinyl chloride.

(C) The production rate of polyvinyl chloride ( $Z$ ) is to be determined by a method submitted to and approved by the Administrator.

(ii) A calculation based on the number of evacuations, the vacuum involved, and the volume of gas in the reactor is hereby approved by the Administrator as an alternative method for determining reactor opening loss for postpolymerization reactors in the manufacture of bulk resins. Calculation methods based on techniques other than repeated evacuation of the

§61.67

40 CFR Ch. I (7-1-00 Edition)

reactor may be approved by the Administrator for determining reactor opening loss for postpolymerization reactors in the manufacture of bulk resins.

(6) For a reactor that is used as a stripper, the emissions of vinyl chloride from reactor opening loss and all sources following the reactor used as a stripper for which an emission limit is prescribed in §61.64(f) are to be determined. The number of reactors for which the determination is to be made is to be specified by the Administrator for each individual plant at the time of the determination based on the plant's operation.

(i) For each batch stripped in the reactor, the following measurements are to be made:

(A) The concentration (ppm) of vinyl chloride in resin after stripping, measured according to paragraph (g)(3) of this section;

(B) The reactor vacuum (mm Hg) at end of strip from plant instrument; and

(C) The reactor temperature (°C) at end of strip from plant instrument.

(ii) For each batch stripped in the reactor, the following information is to be determined:

(A) The vapor pressure (mm Hg) of water in the reactor at end of strip from the following table:

| Reactor vapor temperature (°C) | H <sub>2</sub> O vapor pressure (mm Hg) | Reactor temperature (°C) | H <sub>2</sub> O vapor pressure (mm Hg) | Reactor temperature (°C) | H <sub>2</sub> O pressure (mm Hg) |
|--------------------------------|---|--------------------------|---|--------------------------|-----------------------------------|
| 40                             | 55.3                                    | 62                       | 163.8                                   | 84                       | 416.8                             |
| 41                             | 58.3                                    | 63                       | 171.4                                   | 85                       | 433.6                             |
| 42                             | 61.5                                    | 64                       | 179.3                                   | 86                       | 450.9                             |
| 43                             | 64.8                                    | 65                       | 187.5                                   | 87                       | 468.7                             |
| 44                             | 68.3                                    | 66                       | 196.1                                   | 88                       | 487.1                             |
| 45                             | 71.9                                    | 67                       | 205.0                                   | 89                       | 506.1                             |
| 46                             | 75.6                                    | 68                       | 214.2                                   | 90                       | 525.8                             |
| 47                             | 79.6                                    | 69                       | 223.7                                   | 91                       | 546.0                             |
| 48                             | 83.7                                    | 70                       | 233.7                                   | 92                       | 567.0                             |
| 49                             | 88.0                                    | 71                       | 243.9                                   | 93                       | 588.6                             |
| 50                             | 92.5                                    | 72                       | 254.6                                   | 94                       | 610.9                             |
| 51                             | 97.2                                    | 73                       | 265.7                                   | 95                       | 633.9                             |
| 52                             | 102.1                                   | 74                       | 277.2                                   | 96                       | 657.6                             |
| 53                             | 107.2                                   | 75                       | 289.1                                   | 97                       | 682.1                             |
| 54                             | 112.5                                   | 76                       | 301.4                                   | 98                       | 707.3                             |
| 55                             | 118.0                                   | 77                       | 314.1                                   | 99                       | 733.2                             |
| 56                             | 123.8                                   | 78                       | 327.3                                   | 100                      | 760.0                             |
| 57                             | 129.8                                   | 79                       | 341.0                                   |                          |                                   |
| 58                             | 136.1                                   | 80                       | 355.1                                   |                          |                                   |
| 59                             | 142.6                                   | 81                       | 369.7                                   |                          |                                   |
| 60                             | 149.4                                   | 82                       | 384.9                                   |                          |                                   |
| 61                             | 156.4                                   | 83                       | 400.6                                   |                          |                                   |

(B) The partial pressure (mm Hg) of vinyl chloride in reactor at end of strip from the following equation:

$$PPVC = 760 - RV - VPW$$

where:

PPVC=partial pressure of vinyl chloride, in mm Hg

760=atmospheric pressure at 0 °C, in mm Hg  
RV=absolute value of reactor vacuum, in mm Hg

VPW=vapor pressure of water, in mm Hg

(C) The reactor vapor space volume (m<sup>3</sup>) at end of strip from the following equation:

$$RVSV = RC - WV - \frac{PVCW}{1,400}$$

where:

RVSV=reactor vapor space volume, in m<sup>3</sup>  
RC=reactor capacity, in m<sup>3</sup>

WV=volume of water in reactor from recipe, in m<sup>3</sup>

PVCW=dry weight of polyvinyl chloride in reactor from recipe, in kg

## Environmental Protection Agency

## § 61.68

1,400=typical density of polyvinyl chloride, in kg/m<sup>3</sup>

(iii) For each batch stripped in the reactor, the combined reactor opening

loss and emissions from all sources following the reactor used as a stripper is to be determined using the following equation:

$$C = (\text{PPMVC})(10^{-3}) + \frac{(\text{PPVC})(\text{RVS})V(1,002)}{(\text{PVCW})(273 + \text{RT})}$$

where:

C=g vinyl chloride/kg polyvinyl chloride product

PPMVC=concentration of vinyl chloride in resin after stripping, in ppm

10<sup>-3</sup>=conversion factor for ppm

PPVC=partial pressure of vinyl chloride determined according to paragraph (g)(6)(ii)(B) of this section, in mm Hg

RVS=reactor vapor space volume determined according to paragraph (g)(6)(ii)(C) of this section, in m<sup>3</sup>

1,002=ideal gas constant in g-°K/mm Hg-m<sup>3</sup> for vinyl chloride

PVCW=dry weight of polyvinyl chloride in reactor from recipe, in kg

273=conversion factor for °C to °K

RT=reactor temperature, in °C

(h)(1) Each piece of equipment within a process unit that can reasonably contain equipment in vinyl chloride service is presumed to be in vinyl chloride service unless an owner or operator demonstrates that the piece of equipment is not in vinyl chloride service. For a piece of equipment to be considered not in vinyl chloride service, it must be determined that the percent vinyl chloride content can be reasonably expected not to exceed 10 percent by weight for liquid streams or contained liquid volumes and 10 percent by volume for gas streams or contained gas volumes, which also includes gas volumes above liquid streams or contained liquid volumes. For purposes of determining the percent vinyl chloride content of the process fluid that is contained in or contacts equipment, procedures that conform to the methods described in ASTM Method D-2267 (incorporated by reference as specified in § 61.18) shall be used.

(2)(i) An owner or operator may use engineering judgment rather than the procedures in paragraph (h)(1) of this section to demonstrate that the percent vinyl chloride content does not exceed 10 percent by weight for liquid

streams and 10 percent by volume for gas streams, provided that the engineering judgment demonstrates that the vinyl chloride content clearly does not exceed 10 percent. When an owner or operator and the Administrator do not agree on whether a piece of equipment is not in vinyl chloride service, however, the procedures in paragraph (h)(1) of this section shall be used to resolve the disagreement.

(ii) If an owner or operator determines that a piece of equipment is in vinyl chloride service, the determination can be revised only after following the procedures in paragraph (h)(1) of this section.

(3) Samples used in determining the percent vinyl chloride content shall be representative of the process fluid that is contained in or contacts the equipment.

[41 FR 46564, Oct. 21, 1976, as amended at 42 FR 29007, June 7, 1977; 47 FR 39486, Sept. 8, 1982; 50 FR 46295, Nov. 7, 1985; 51 FR 34912, Sept. 30, 1986]

### § 61.68 Emission monitoring.

(a) A vinyl chloride monitoring system is to be used to monitor on a continuous basis the emissions from the sources for which emission limits are prescribed in §§ 61.62 (a) and (b), 61.63(a), and 61.64 (a)(1), (b), (c), and (d), and for any control system to which reactor emissions are required to be ducted in § 61.64(a)(2) or to which fugitive emissions are required to be ducted in § 61.65 (b)(1)(ii), and (b)(2), (b)(5), (b)(6) (ii), and (b)(9)(ii).

(b) The vinyl chloride monitoring system(s) used to meet the requirement in paragraph (a) of this section is to be a device which obtains representative samples from one or more applicable emission points on a continuous

sequential basis and analyzes the samples with gas chromatography or, if the owner or operator assumes that all hydrocarbons measured are vinyl chloride, with infrared spectrophotometry, flame ion detection, or an alternative method. The vinyl chloride monitoring system used to meet the requirements in §61.65(b)(8)(i) may be used to meet the requirements of this section.

(c) A daily span check is to be conducted for each vinyl chloride monitoring system used. For all of the emission sources listed in paragraph (a) of this section, except the one for which an emission limit is prescribed in §61.62(b), the daily span check is to be conducted with a concentration of vinyl chloride equal to 10 ppm. For the emission source for which an emission limit is prescribed in §61.62(b), the daily span check is to be conducted with a concentration of vinyl chloride which is determined to be equivalent to the emission limit for that source based on the emission test required by §61.67. The calibration is to be done with either:

(1) A calibration gas mixture prepared from the gases specified in sections 5.2.1 and 5.2.2 of Test Method 106 and in accordance with section 7.1 of Test Method 106, or

(2) A calibration gas cylinder standard containing the appropriate concentration of vinyl chloride. The gas composition of the calibration gas cylinder standard is to have been certified by the manufacturer. The manufacturer must have recommended a maximum shelf life for each cylinder so that the concentration does not change greater than  $\pm 5$  percent from the certified value. The date of gas cylinder preparation, certified vinyl chloride concentration and recommended maximum shelf life must have been affixed to the cylinder before shipment from the manufacturer to the buyer. If a gas chromatograph is used as the vinyl chloride monitoring system, these gas mixtures may be directly used to prepare a chromatograph calibration curve as described in section 7.3 of Test Method 106. The requirements in sections 5.2.3.1 and 5.2.3.2 of Test Method 106 for certification of cylinder standards and for establishment and

verification of calibration standards are to be followed.

(d) When exhaust gas(es), having emission limits that are subject to the requirement of paragraph (a) of this section, are emitted to the atmosphere without passing through the control system and required vinyl chloride monitoring system, the vinyl chloride content of the emission shall be calculated (in units of each applicable emission limit) by best practical engineering judgment based on the discharge duration and known VC concentrations in the affected equipment as determined in accordance with §61.67(h) or other acceptable method.

(e) For each 3-hour period, the vinyl chloride content of emissions subject to the requirements of paragraphs (a) and (d) of this section shall be averaged (weighted according to the proportion of time that emissions were continuously monitored and that emissions bypassed the continuous monitor) for purposes of reporting excess emissions under §61.70(c)(1).

(f) For each vinyl chloride emission to the atmosphere determined in accordance with paragraph (e) of this section to be in excess of the applicable emission limits, the owner or operator shall record the identity of the source(s), the date, time, and duration of the excess emission, the cause of the excess emission, and the approximate total vinyl chloride loss during the excess emission, and the method used for determining the vinyl chloride loss. This information shall be retained and made available for inspection by the Administrator as required by §61.71(a).

[41 FR 46564, Oct. 21, 1976; 41 FR 53017, Dec. 3, 1976, as amended at 42 FR 29007, June 7, 1977; 50 FR 46295, Nov. 7, 1985; 51 FR 34913, Sept. 30, 1986; 55 FR 28349, July 10, 1990]

#### §61.69 Initial report.

(a) An owner or operator of any source to which this subpart applies shall submit a statement in writing notifying the Administrator that the equipment and procedural specifications in §61.65 (b)(1), (b)(2), (b)(3), (b)(4), (b)(5), (b)(6), (b)(7), and (b)(8) are being implemented.

(b)(1) In the case of an existing source or a new source which has an



## Environmental Protection Agency

## § 61.70

initial startup date preceding the effective date, the statement is to be submitted within 90 days of the effective date, unless a waiver of compliance is granted under § 61.11, along with the information required under § 61.10. If a waiver of compliance is granted, the statement is to be submitted on a date scheduled by the Administrator.

(2) In the case of a new source which did not have an initial startup date preceding the effective date, the statement is to be submitted within 90 days of the initial startup date.

(c) The statement is to contain the following information:

(1) A list of the equipment installed for compliance,

(2) A description of the physical and functional characteristics of each piece of equipment,

(3) A description of the methods which have been incorporated into the standard operating procedures for measuring or calculating the emissions for which emission limits are prescribed in § 61.65 (b)(1)(i) and (b)(6)(i),

(4) A statement that each piece of equipment is installed and that each piece of equipment and each procedure is being used.

### § 61.70 Reporting.

(a)(1) The owner or operator of any source to which this subpart applies shall submit to the Administrator on March 15, June 15, September 15, and December 15 of each year a report in writing containing the information required by this section. The first report is to be submitted following the first full 3-month reporting period after the initial report is submitted.

(2) In the case of an existing source, the approved reporting schedule shall be used. In addition, quarterly reports shall be submitted exactly 3 months following the current reporting dates.

(b)(1) In the case of an existing source or a new source which has an initial startup date preceding the effective date, the first report is to be submitted within 180 days of the effective date, unless a waiver of compliance is granted under § 61.11. If a waiver of compliance is granted, the first report is to be submitted on a date scheduled by the Administrator.

(2) In the case of a new source which did not have an initial startup date preceding the effective date, the first report is to be submitted within 180 days of the initial startup date.

(c) Unless otherwise specified, the owner or operator shall use the Test Methods in appendix B to this part to conduct emission tests as required by paragraphs (c)(2) and (c)(3) of this section, unless an alternative method has been approved by the Administrator. If the Administrator finds reasonable grounds to dispute the results obtained by an alternative method, he may require the use of a reference method. If the results of the reference and alternative methods do not agree, the results obtained by the reference method prevail, and the Administrator may notify the owner or operator that approval of the method previously considered to be alternative is withdrawn.

(1) The owner or operator shall include in the report a record of the vinyl chloride content of emissions for each 3-hour period during which average emissions are in excess of the emission limits in § 61.62 (a) or (b), § 61.63 (a), or § 61.64 (a)(1), (b), (c), or (d), or during which average emissions are in excess of the emission limits specified for any control system to which reactor emissions are required to be ducted in § 61.64 (a)(2) or to which fugitive emissions are required to be ducted in § 61.65 (b)(i)(ii), (b)(2), (b)(5), (b)(6)(ii), or (b)(9)(ii). The number of 3-hour periods for which average emissions were determined during the reporting period shall be reported. If emissions in excess of the emission limits are not detected, the report shall contain a statement that no excess emissions have been detected. The emissions are to be determined in accordance with § 61.68(e).

(2) In polyvinyl chloride plants for which a stripping operation is used to attain the emission level prescribed in § 61.64(e), the owner or operator shall include in the report a record of the vinyl chloride content in the polyvinyl chloride resin.

(i) If batch stripping is used, one representative sample of polyvinyl chloride resin is to be taken from each batch of each grade of resin immediately following the completion of the stripping operation, and identified by

§61.70

40 CFR Ch. I (7-1-00 Edition)

resin type and grade and the date and time the batch is completed. The corresponding quantity of material processed in each stripper batch is to be recorded and identified by resin type and grade and the date and time the batch is completed.

(ii) If continuous stripping is used, one representative sample of polyvinyl chloride resin is to be taken for each grade of resin processed or at intervals of 8 hours for each grade of resin which is being processed, whichever is more frequent. The sample is to be taken as the resin flows out of the stripper and identified by resin type and grade and the date and time the sample was taken. The corresponding quantity of material processed by each stripper over the time period represented by the sample during the 8-hour period, is to be recorded and identified by resin type

and grade and the date and time it represents.

(iii) The vinyl chloride content in each sample is to be determined by Test Method 107 as prescribed in §61.67(g)(3).

(iv) [Reserved]

(v) The report to the Administrator by the owner or operator is to include a record of any 24-hour average resin vinyl chloride concentration, as determined in this paragraph, in excess of the limits prescribed in §61.64(e). The vinyl chloride content found in each sample required by paragraphs (c)(2)(i) and (c)(2)(ii) of this section shall be averaged separately for each type of resin, over each calendar day and weighted according to the quantity of each grade of resin processed by the stripper(s) that calendar day, according to the following equation:

$$A_T = \frac{\sum_{i=1}^n P_{Gi}M_{Gi}}{Q_T} = \frac{P_{G^1}M_{G^1} + P_{G^2}M_{G^2} + \dots + P_{G^n}M_{G^n}}{Q_T}$$

where:

A<sub>T</sub> = 24-hour average concentration of type T resin in ppm (dry weight basis)

Q<sub>T</sub> = Total production of type T resin over the 24-hour period, in kg.

T = Type of resin.

M<sub>Gi</sub> = Concentration of vinyl chloride in one sample of grade Gi resin in ppm.

P<sub>Gi</sub> = Production of grade Gi resin represented by the sample, in kg.

Gi = Grade of resin: e.g., G1, G2, G3.

n = Total number of grades of resin produced during the 24-hour period.

The number of 24-hour average concentrations for each resin type determined during the reporting period shall be reported. If no 24-hour average resin vinyl chloride concentrations in excess of the limits prescribed in §61.64(e) are measured, the report shall state that no excess resin vinyl chloride concentrations were measured.

(vi) The owner or operator shall retain at the source and make available for inspection by the Administrator for a minimum of 3 years records of all data needed to furnish the information

required by paragraph (c)(2)(v) of this section. The records are to contain the following information:

(A) The vinyl chloride content found in all the samples required in paragraphs (c)(2)(i) and (c)(2)(ii) of this section, identified by the resin type and grade and the time and date of the sample, and

(B) The corresponding quantity of polyvinyl chloride resin processed by the stripper(s), identified by the resin type and grade and the time and date it represents.

(3) The owner or operator shall include in the report a record of any emissions from each reactor opening in excess of the emission limits prescribed in §61.64(a)(2). Emissions are to be determined in accordance with §61.67(g)(5), except that emissions for each reactor are to be determined. The number of reactor openings during the reporting period shall be reported. If emissions in excess of the emission limits are not detected, the report

**Environmental Protection Agency**

**§61.71**

shall include a statement that excess emissions have not been detected.

(4) In polyvinyl chloride plants for which stripping in the reactor is used to attain the emission level prescribed in §61.64(f), the owner or operator shall include in the report a record of the vinyl chloride emissions from reactor opening loss and all sources following the reactor used as a stripper.

(i) One representative sample of polyvinyl chloride resin is to be taken from each batch of each grade of resin immediately following the completion of the stripping operation, and identified by resin type and grade and the date and time the batch is completed. The corresponding quantity of material processed in each stripper batch is to be recorded and identified by resin type and grade and the date and time the batch is completed.

(ii) The vinyl chloride content in each sample is to be determined by Test Method 107 as prescribed in §61.67(g)(3).

(iii) The combined emissions from reactor opening loss and all sources following the reactor used as a stripper are to be determined for each batch stripped in a reactor according to the procedure prescribed in §61.67(g)(6).

(iv) The report to the Administrator by the owner or operator is to include a record of any 24-hour average combined reactor opening loss and emissions from all sources following the reactor used as a stripper as determined in this paragraph, in excess of the limits prescribed in §61.64(f). The combined reactor opening loss and emissions from all sources following the reactor used as a stripper associated with each batch are to be averaged separately for each type of resin, over each calendar day and weighted according to the quantity of each grade of resin stripped in reactors that calendar day as follows:

For each type of resin (suspension, dispersion, latex, bulk, other), the following calculation is to be performed:

$$A_T = \frac{\sum_{i=1}^n P_{Gi} C_{Gi}}{Q_T} = \frac{P_{G^1} C_{G^1} + P_{G^2} C_{G^2} + \dots + P_{Gn} C_{Gn}}{Q_T}$$

where:

$A_T$  = 24-hour average combined reactor opening loss and emissions from all sources following the reactor used as a stripper, in g vinyl chloride/kg product (dry weight basis).

$Q_T$  = Total production of resin in batches for which stripping is completed during the 24-hour period, in kg.

T = Type of resin.

$C_{Gi}$  = Average combined reactor opening loss and emissions from all sources following the reactor used as a stripper of all batches of grade  $G_i$  resin for which stripping is completed during the 24-hour period, in g vinyl chloride/kg product (dry weight basis) (determined according to procedure prescribed in §61.67(g)(6)).

$P_{Gi}$  = Production of grade  $G_i$  resin in the batches for which C is determined, in kg.

$G_i$  = Grade of resin e.g.,  $G_1$ ,  $G_2$ , and  $G_3$ .

n = Total number of grades of resin in batches for which stripping is completed during the 24-hour period.

The number of 24-hour average emissions determined during the reporting period shall be reported. If no 24-hour average combined reactor opening loss and emissions from all sources following the reactor used a stripper in excess of the limits prescribed in §61.64(f) are determined, the report shall state that no excess vinyl chloride emissions were determined.

[41 FR 46564, Oct. 21, 1976, as amended at 42 FR 29007, June 7, 1977; 50 FR 46295, Nov. 7, 1985; 51 FR 34914, Sept. 30, 1986; 53 FR 36972, Sept. 23, 1988; 53 FR 46976, Nov. 21, 1988]

**§61.71 Recordkeeping.**

(a) The owner or operator of any source to which this subpart applies shall retain the following information at the source and make it available for inspection to the Administrator for a minimum of 3 years:

(1) A record of the leaks detected by the vinyl chloride monitoring system, as required by § 61.65(b)(8), including the concentrations of vinyl chloride measured, analyzed, and recorded by the vinyl chloride detector, the location of each measurement and the date and approximate time of each measurement.

(2) A record of the leaks detected during routine monitoring with the portable hydrocarbon detector and the action taken to repair the leaks, as required by § 61.65(b)(8), including a brief statement explaining the location and cause of each leak detected with the portable hydrocarbon detector, the date and time of the leak, and any action taken to eliminate that leak.

(3) A record of emissions measured in accordance with § 61.68.

(4) A daily operating record for each polyvinyl chloride reactor, including pressures and temperatures.

[41 FR 46594, Oct. 21, 1976, as amended at 42 FR 29007, June 7, 1977; 51 FR 34914, Sept. 30, 1986]

### Subpart G [Reserved]

## Subpart H—National Emission Standards for Emissions of Radionuclides Other Than Radon From Department of Energy Facilities

SOURCE: 54 FR 51695, Dec. 15, 1989, unless otherwise noted.

### § 61.90 Designation of facilities.

The provisions of this subpart apply to operations at any facility owned or operated by the Department of Energy that emits any radionuclide other than radon-222 and radon-220 into the air, except that this subpart does not apply to disposal at facilities subject to 40 CFR part 191, subpart B or 40 CFR part 192.

### § 61.91 Definitions.

As used in this subpart, all terms not defined here have the meaning given them in the Clean Air Act or 40 CFR part 61, subpart A. The following terms shall have the following specific meanings:

(a) *Effective dose equivalent* means the sum of the products of absorbed dose and appropriate factors to account for differences in biological effectiveness due to the quality of radiation and its distribution in the body of reference man. The unit of the effective dose equivalent is the rem. For purposes of this subpart, doses caused by radon-222 and its respective decay products formed after the radon is released from the facility are not included. The method for calculating effective dose equivalent and the definition of reference man are outlined in the International Commission on Radiological Protection's Publication No. 26.

(b) *Facility* means all buildings, structures and operations on one contiguous site.

(c) *Radionuclide* means a type of atom which spontaneously undergoes radioactive decay.

(d) *Residence* means any home, house, apartment building, or other place of dwelling which is occupied during any portion of the relevant year.

### § 61.92 Standard.

Emissions of radionuclides to the ambient air from Department of Energy facilities shall not exceed those amounts that would cause any member of the public to receive in any year an effective dose equivalent of 10 mrem/yr.

### § 61.93 Emission monitoring and test procedures.

(a) To determine compliance with the standard, radionuclide emissions shall be determined and effective dose equivalent values to members of the public calculated using EPA approved sampling procedures, computer models CAP-88 or AIRDOS-PC, or other procedures for which EPA has granted prior approval. DOE facilities for which the maximally exposed individual lives within 3 kilometers of all sources of emissions in the facility, may use EPA's COMPLY model and associated procedures for determining dose for purposes of compliance.

(b) Radionuclide emission rates from point sources (stacks or vents) shall be measured in accordance with the following requirements or other procedures for which EPA has granted prior approval:

## Environmental Protection Agency

## §61.93

(1) Effluent flow rate measurements shall be made using the following methods:

(i) Reference Method 2 of appendix A to part 60 shall be used to determine velocity and volumetric flow rates for stacks and large vents.

(ii) Reference Method 2A of appendix A to part 60 shall be used to measure flow rates through pipes and small vents.

(iii) The frequency of the flow rate measurements shall depend upon the variability of the effluent flow rate. For variable flow rates, continuous or frequent flow rate measurements shall be made. For relatively constant flow rates only periodic measurements are necessary.

(2) Radionuclides shall be directly monitored or extracted, collected and measured using the following methods:

(i) Reference Method 1 of appendix A part 60 shall be used to select monitoring or sampling sites.

(ii) The effluent stream shall be directly monitored continuously with an in-line detector or representative samples of the effluent stream shall be withdrawn continuously from the sampling site following the guidance presented in ANSIN13.1-1969 "Guide to Sampling Airborne Radioactive Materials in Nuclear Facilities" (including the guidance presented in appendix A of ANSIN13.1) (incorporated by reference—see §61.18). The requirements for continuous sampling are applicable to batch processes when the unit is in operation. Periodic sampling (grab samples) may be used only with EPA's prior approval. Such approval may be granted in cases where continuous sampling is not practical and radionuclide emission rates are relatively constant. In such cases, grab samples shall be collected with sufficient frequency so as to provide a representative sample of the emissions.

(iii) Radionuclides shall be collected and measured using procedures based on the principles of measurement described in appendix B, Method 114. Use of methods based on principles of measurement different from those described in appendix B, Method 114 must have prior approval from the Administrator. EPA reserves the right to approve measurement procedures.

(iv) A quality assurance program shall be conducted that meets the performance requirements described in appendix B, Method 114.

(3) When it is impractical to measure the effluent flow rate at an existing source in accordance with the requirements of paragraph (b)(1) of this section or to monitor or sample an effluent stream at an existing source in accordance with the site selection and sample extraction requirements of paragraph (b)(2) of this section, the facility owner or operator may use alternative effluent flow rate measurement procedures or site selection and sample extraction procedures provided that:

(i) It can be shown that the requirements of paragraph (b) (1) or (2) of this section are impractical for the effluent stream.

(ii) The alternative procedure will not significantly underestimate the emissions.

(iii) The alternative procedure is fully documented.

(iv) The owner or operator has received prior approval from EPA.

(4)(i) Radionuclide emission measurements in conformance with the requirements of paragraph (b) of this section shall be made at all release points which have a potential to discharge radionuclides into the air in quantities which could cause an effective dose equivalent in excess of 1% of the standard. All radionuclides which could contribute greater than 10% of the potential effective dose equivalent for a release point shall be measured. With prior EPA approval, DOE may determine these emissions through alternative procedures. For other release points which have a potential to release radionuclides into the air, periodic confirmatory measurements shall be made to verify the low emissions.

(ii) To determine whether a release point is subject to the emission measurement requirements of paragraph (b) of this section, it is necessary to evaluate the potential for radionuclide emissions for that release point. In evaluating the potential of a release point to discharge radionuclides into the air for the purposes of this section, the estimated radionuclide release rates shall

be based on the discharge of the effluent stream that would result if all pollution control equipment did not exist, but the facilities operations were otherwise normal.

(5) Environmental measurements of radionuclide air concentrations at critical receptor locations may be used as an alternative to air dispersion calculations in demonstrating compliance with the standard if the owner or operator meets the following criteria:

(i) The air at the point of measurement shall be continuously sampled for collection of radionuclides.

(ii) Those radionuclides released from the facility, which are the major contributors to the effective dose equivalent must be collected and measured as part of the environmental measurement program.

(iii) Radionuclide concentrations which would cause an effective dose equivalent of 10% of the standard shall be readily detectable and distinguishable from background.

(iv) Net measured radionuclide concentrations shall be compared to the concentration levels in Table 2 of appendix E to determine compliance with the standard. In the case of multiple radionuclides being released from a facility, compliance shall be demonstrated if the value for all radionuclides is less than the concentration level in Table 2, and the sum of the fractions that result when each measured concentration value is divided by the value in Table 2 for each radionuclide is less than 1.

(v) A quality assurance program shall be conducted that meets the performance requirements described in appendix B, Method 114.

(vi) Use of environmental measurements to demonstrate compliance with the standard is subject to prior approval of EPA. Applications for approval shall include a detailed description of the sampling and analytical methodology and show how the above criteria will be met.

**§61.94 Compliance and reporting.**

(a) Compliance with this standard shall be determined by calculating the highest effective dose equivalent to any member of the public at any offsite point where there is a residence,

school, business or office. The owners or operators of each facility shall submit an annual report to both EPA headquarters and the appropriate regional office by June 30 which includes the results of the monitoring as recorded in DOE's Effluent Information System and the dose calculations required by §61.93(a) for the previous calendar year.

(b) In addition to the requirements of paragraph (a) of this section, an annual report shall include the following information:

(1) The name and location of the facility.

(2) A list of the radioactive materials used at the facility.

(3) A description of the handling and processing that the radioactive materials undergo at the facility.

(4) A list of the stacks or vents or other points where radioactive materials are released to the atmosphere.

(5) A description of the effluent controls that are used on each stack, vent, or other release point and an estimate of the efficiency of each control device.

(6) Distances from the points of release to the nearest residence, school, business or office and the nearest farms producing vegetables, milk, and meat.

(7) The values used for all other user-supplied input parameters for the computer models (e.g., meteorological data) and the source of these data.

(8) A brief description of all construction and modifications which were completed in the calendar year for which the report is prepared, but for which the requirement to apply for approval to construct or modify was waived under §61.96 and associated documentation developed by DOE to support the waiver. EPA reserves the right to require that DOE send to EPA all the information that normally would be required in an application to construct or modify, following receipt of the description and supporting documentation.

(9) Each report shall be signed and dated by a corporate officer or public official in charge of the facility and contain the following declaration immediately above the signature line: "I certify under penalty of law that I have personally examined and am familiar with the information submitted herein

## Environmental Protection Agency

## §61.97

and based on my inquiry of those individuals immediately responsible for obtaining the information, I believe that the submitted information is true, accurate and complete. I am aware that there are significant penalties for submitting false information including the possibility of fine and imprisonment. See, 18 U.S.C. 1001.”

(c) If the facility is not in compliance with the emission limits of §61.92 in the calendar year covered by the report, then the facility must commence reporting to the Administrator on a monthly basis the information listed in paragraph (b) of this section, for the preceding month. These reports will start the month immediately following the submittal of the annual report for the year in noncompliance and will be due 30 days following the end of each month. This increased level of reporting will continue until the Administrator has determined that the monthly reports are no longer necessary. In addition to all the information required in paragraph (b) of this section, monthly reports shall also include the following information:

(1) All controls or other changes in operation of the facility that will be or are being installed to bring the facility into compliance.

(2) If the facility is under a judicial or administrative enforcement decree, the report will describe the facilities performance under the terms of the decree.

(d) In those instances where the information requested is classified, such information will be made available to EPA separate from the report and will be handled and controlled according to applicable security and classification regulations and requirements.

### §61.95 Recordkeeping requirements.

All facilities must maintain records documenting the source of input parameters including the results of all measurements upon which they are based, the calculations and/or analytical methods used to derive values for input parameters, and the procedure used to determine effective dose equivalent. This documentation should be

sufficient to allow an independent auditor to verify the accuracy of the determination made concerning the facility’s compliance with the standard. These records must be kept at the site of the facility for at least five years and, upon request, be made available for inspection by the Administrator, or his authorized representative.

### §61.96 Applications to construct or modify.

(a) In addition to any activity that is defined as construction under 40 CFR part 61, subpart A, any fabrication, erection or installation of a new building or structure within a facility that emits radionuclides is also defined as new construction for purposes of 40 CFR part 61, subpart A.

(b) An application for approval under §61.07 or notification of startup under §61.09 does not need to be filed for any new construction of or modification within an existing facility if the effective dose equivalent, caused by all emissions from the new construction or modification, is less than 1% of the standard prescribed in §61.92. For purposes of this paragraph the effective dose equivalent shall be calculated using the source term derived using appendix D as input to the dispersion and other computer models described in §61.93. DOE may, with prior approval from EPA, use another procedure for estimating the source term for use in this paragraph. A facility is eligible for this exemption only if, based on its last annual report, the facility is in compliance with this subpart.

(c) Conditions to approvals granted under §61.08 will not contain requirements for post approval reporting on operating conditions beyond those specified in §61.94.

### §61.97 Exemption from the reporting and testing requirements of 40 CFR 61.10.

All facilities designated under this subpart are exempt from the reporting requirements of 40 CFR 61.10.

**Subpart I—National Emission Standards for Radionuclide Emissions From Federal Facilities Other Than Nuclear Regulatory Commission Licensees and Not Covered by Subpart H**

SOURCE: 54 FR 51697, Dec. 15, 1989, unless otherwise noted.

**§ 61.100 Applicability.**

The provisions of this subpart apply to facilities owned or operated by any Federal agency other than the Department of Energy and not licensed by the Nuclear Regulatory Commission, except that this subpart does not apply to disposal at facilities regulated under 40 CFR part 191, subpart B, or to any uranium mill tailings pile after it has been disposed of under 40 CFR part 192, or to low energy accelerators.

[61 FR 68981, Dec. 30, 1996]

**§ 61.101 Definitions.**

As used in this subpart, all terms not defined here have the meaning given them in the Clean Air Act or subpart A of part 61. The following terms shall have the following specific meanings:

(a) *Effective dose equivalent* means the sum of the products of absorbed dose and appropriate factors to account for differences in biological effectiveness due to the quality of radiation and its distribution in the body of reference man. The unit of the effective dose equivalent is the rem. For purposes of this subpart doses caused by radon-222 and its decay products formed after the radon is released from the facility are not included. The method for calculating effective dose equivalent and the definition of reference man are outlined in the International Commission on Radiological Protection's Publication No. 26.

(b) *Facility* means all buildings, structures and operations on one contiguous site.

(c) *Federal facility* means any facility owned or operated by any department, commission, agency, office, bureau or other unit of the government of the United States of America except for facilities owned or operated by the Department of Energy.

(d) *Radionuclide* means a type of atom which spontaneously undergoes radioactive decay.

[54 FR 51697, Dec. 15, 1989, as amended at 61 FR 68981, Dec. 30, 1996]

**§ 61.102 Standard.**

(a) Emissions of radionuclides, including iodine, to the ambient air from a facility regulated under this subpart shall not exceed those amounts that would cause any member of the public to receive in any year an effective dose equivalent of 10 mrem/yr.

(b) Emissions of iodine to the ambient air from a facility regulated under this subpart shall not exceed those amounts that would cause any member of the public to receive in any year an effective dose equivalent of 3 mrem/yr.

**§ 61.103 Determining compliance.**

(a) Compliance with the emission standard in this subpart shall be determined through the use of either the EPA computer code COMPLY or the alternative requirements of appendix E. Facilities emitting radionuclides not listed in COMPLY or appendix E shall contact EPA to receive the information needed to determine dose. The source terms to be used for input into COMPLY shall be determined through the use of the measurement procedures listed in § 61.107 or the emission factors in appendix D or through alternative procedures for which EPA has granted prior approval; or,

(b) Facilities may demonstrate compliance with the emission standard in this subpart through the use of computer models that are equivalent to COMPLY, provided that the model has received prior approval from EPA headquarters. Any facility using a model other than COMPLY must file an annual report. EPA may approve an alternative model in whole or in part and may limit its use to specific circumstances.

**§ 61.104 Reporting requirements.**

(a) The owner or operator of a facility subject to this subpart must submit an annual report to the EPA covering the emissions of a calendar year by March 31 of the following year.



## Environmental Protection Agency

## § 61.104

(1) The report or application for approval to construct or modify as required by 40 CFR part 61, subpart A and §61.106, must provide the following information:

- (i) The name of the facility.
- (ii) The name of the person responsible for the operation of the facility and the name of the person preparing the report (if different).
- (iii) The location of the facility, including suite and/or building number, street, city, county, state, and zip code.
- (iv) The mailing address of the facility, if different from item (iii).
- (v) A list of the radioactive materials used at the facility.
- (vi) A description of the handling and processing that the radioactive materials undergo at the facility.
- (vii) A list of the stacks or vents or other points where radioactive materials are released to the atmosphere.
- (viii) A description of the effluent controls that are used on each stack, vent, or other release point and an estimate of the efficiency of each device.
- (ix) Distances from the point of release to the nearest residence, school, business or office and the nearest farms producing vegetables, milk, and meat.
- (x) The effective dose equivalent calculated using the compliance procedures in §61.103.
- (xi) The physical form and quantity of each radionuclide emitted from each stack, vent or other release point, and the method(s) by which these quantities were determined.
- (xii) The volumetric flow, diameter, effluent temperature, and release height for each stack, vent or other release point where radioactive materials are emitted, the method(s) by which these were determined.
- (xiii) The height and width of each building from which radionuclides are emitted.
- (xiv) The values used for all other user-supplied input parameters (e.g., meteorological data) and the source of these data.
- (xv) A brief description of all construction and modifications which were completed in the calendar year for which the report is prepared, but for which the requirement to apply for approval to construct or modify was

waived under §61.106, and associated documentation developed by the licensee to support the waiver. EPA reserves the right to require that the licensee send to EPA all the information that normally would be required in an application to construct or modify, following receipt of the description and supporting documentation.

(xvi) Each report shall be signed and dated by a corporate officer or public official in charge of the facility and contain the following declaration immediately above the signature line: "I certify under penalty of law that I have personally examined and am familiar with the information submitted herein and based on my inquiry of those individuals immediately responsible for obtaining the information, I believe that the submitted information is true, accurate and complete. I am aware that there are significant penalties for submitting false information including the possibility of fine and imprisonment. See, 18 U.S.C. 1001."

(b) Facilities emitting radionuclides in an amount that would cause less than 10% of the dose standard in §61.102, as determined by the compliance procedures from §61.103(a), are exempt from the reporting requirements of §61.104(a). Facilities shall annually make a new determination whether they are exempt from reporting.

(c) If the facility is not in compliance with the emission limits of §61.102 in the calendar year covered by the report, the facility must report to the Administrator on a monthly basis the information listed in paragraph (a) of this section, for the preceding month. These reports will start the month immediately following the submittal of the annual report for the year in non-compliance and will be due 30 days following the end of each month. This increased level of reporting will continue until the Administrator has determined that the monthly reports are no longer necessary. In addition to all the information required in paragraph (a) of this section, monthly reports shall also include the following information:

(1) All controls or other changes in operation of the facility that will be or are being installed to bring the facility into compliance.

## § 61.105

(2) If the facility is under a judicial or administrative enforcement decree the report will describe the facilities performance under the terms of the decree.

(d) The first report will cover the emissions of calendar year 1990.

### § 61.105 Recordkeeping requirements.

The owner or operator of any facility must maintain records documenting the source of input parameters including the results of all measurements upon which they are based, the calculations and/or analytical methods used to derive values for input parameters, and the procedure used to determine compliance. This documentation should be sufficient to allow an independent auditor to verify the accuracy of the determination made concerning the facility's compliance with the standard, and, if claimed, qualification for exemption from reporting. These records must be kept at the site of the facility for at least five years and upon request be made available for inspection by the Administrator, or his authorized representative.

### § 61.106 Applications to construct or modify.

(a) In addition to any activity that is defined as construction under 40 CFR part 61, subpart A, any fabrication, erection or installation of a new building or structure within a facility is also defined as new construction for purposes of 40 CFR part 61, subpart A.

(b) An application under § 61.07 does not need to be filed for any new construction or modification within an existing facility if one of the following conditions is met:

(1) The effective dose equivalent calculated by using methods described in § 61.103, that is caused by all emissions from the facility including those potentially emitted by the proposed new construction or modification, is less than 10% of the standard prescribed in § 61.102.

(2) The effective dose equivalent calculated by using methods described in § 61.103, that is caused by all emissions from the new construction or modification, is less than 1% of the limit prescribed in § 61.102. A facility is eligible for this exemption only if the facility,

## 40 CFR Ch. I (7-1-00 Edition)

based on its last annual report, is in compliance with this subpart.

### § 61.107 Emission determination.

(a) Facility owners or operators may, in lieu of monitoring, estimate radionuclide emissions in accordance with appendix D, or other procedure for which EPA has granted prior approval.

(b) Radionuclide emission rates from point sources (e.g. stacks or vents) shall be measured in accordance with the following requirements:

(1) Effluent flow rate measurements shall be made using the following methods:

(i) Reference Method 2 of appendix A to part 60 shall be used to determine velocity and volumetric flow rates for stacks and large vents.

(ii) Reference Method 2A of appendix A to part 60 shall be used to measure flow rates through pipes and small vents.

(iii) The frequency of the flow rate measurements shall depend upon the variability of the effluent flow rate. For variable flow rates, continuous or frequent flow rate measurements shall be made. For relatively constant flow rates only periodic measurements are necessary.

(2) Radionuclides shall be directly monitored or extracted, collected, and measured using the following methods:

(i) Reference Method 1 of appendix A part 60 shall be used to select monitoring or sampling sites.

(ii) The effluent stream shall be directly monitored continuously using an in-line detector or representative samples of the effluent stream shall be withdrawn continuously from the sampling site following the guidance presented in ANSIN13.1-1969 "Guide to Sampling Airborne Radioactive Materials in Nuclear Facilities" (including the guidance presented in appendix A of ANSIN13.1) (incorporated by reference—see § 61.18). The requirements for continuous sampling are applicable to batch processes when the unit is in operation. Periodic sampling (grab samples) may be used only with EPA's prior approval. Such approval may be granted in cases where continuous sampling is not practical and radionuclide emission rates are relatively constant. In such cases, grab samples

shall be collected with sufficient frequency so as to provide a representative sample of the emissions.

(iii) Radionuclides shall be collected and measured using procedures based on the principles of measurement described in appendix B, Method 114. Use of methods based on principles of measurement different from those described in appendix B, Method 114 must have prior approval from the Administrator. EPA reserves the right to approve alternative measurement procedures in whole or in part.

(iv) A quality assurance program shall be conducted that meets the performance requirements described in appendix B, method 114.

(3) When it is impractical to measure the effluent flow rate at an existing source in accordance with the requirements of paragraph (b)(1) of this section or to monitor or sample an effluent stream at an existing source in accordance with the site selection and sample extraction requirements of paragraph (b)(2) of this section, the facility owner or operator may use alternative effluent flow rate measurement procedures or site selection and sample extraction procedures provided that:

(i) It can be shown that the requirements of paragraphs (b) (1) and (2) of this section are impractical for the effluent stream.

(ii) The alternative procedure will not significantly underestimate the emissions.

(iii) The alternative procedure is fully documented.

(iv) The owner or operator has received prior approval from EPA.

(4)(i) Radionuclide emission measurements in conformance with the requirements of paragraph (b) of this section shall be made at all release points which have a potential to discharge radionuclides into the air in quantities which could cause an effective dose equivalent in excess of 1% of the standard. All radionuclides which could contribute greater than 10% of the potential effective dose equivalent for a release point shall be measured. For other release points which have a potential to release radionuclides into the air, periodic confirmatory measurements should be made to verify the low emissions.

(ii) To determine whether a release point is subject to the emission measurement requirements of paragraph (b) of this section, it is necessary to evaluate the potential for radionuclide emissions for that release point. In evaluating the potential of a release point to discharge radionuclides into the air, the estimated radionuclide release rates shall be based on the discharge of the uncontrolled effluent stream into the air.

(5) Environmental measurements of radionuclide air concentrations at critical receptor locations may be used as an alternative to air dispersion calculations in demonstrating compliance with the standards if the owner or operator meets the following criteria:

(i) The air at the point of measurement shall be continuously sampled for collection of radionuclides.

(ii) Those radionuclides released from the facility, which are the major contributors to the effective dose equivalent must be collected and measured as part of the environmental measurements program.

(iii) Radionuclide concentrations which would cause an effective dose equivalent greater than or equal to 10% of the standard shall be readily detectable and distinguishable from background.

(iv) Net measured radionuclide concentrations shall be compared to the concentration levels in table 2 of appendix E to determine compliance with the standard. In the case of multiple radionuclides being released from a facility, compliance shall be demonstrated if the value for all radionuclides is less than the concentration level in table 2 and the sum of the fractions that result when each measured concentration value is divided by the value in table 2 for each radionuclide is less than 1.

(v) A quality assurance program shall be conducted that meets the performance requirements described in appendix B, method 114.

(vi) Use of environmental measurements to demonstrate compliance with the standard is subject to prior approval of EPA. Applications for approval shall include a detailed description of the sampling and analytical

## § 61.108

## 40 CFR Ch. I (7–1–00 Edition)

methodology and show how the above criteria will be met.

(c) The following facilities may use either the methodologies and quality assurance programs described in paragraph (b) of this section or may use the following:

(1) [Reserved]

(2) Uranium mills may determine their emissions in conformance with the Nuclear Regulatory Commission's Regulatory Guide 4.14 dated April 1980. In addition, they may conduct a quality assurance program as described in the Nuclear Regulatory Commission's Regulatory Guide 4.15 dated February 1979.

[54 FR 51697, Dec. 15, 1989, as amended at 61 FR 46212, Sept. 5, 1995; 61 FR 68981, Dec. 30, 1996]

### § 61.108 Exemption from the reporting and testing requirements of 40 CFR 61.10.

All facilities designated under this subpart are exempt from the reporting requirements of 40 CFR 61.10.

## Subpart J—National Emission Standard for Equipment Leaks (Fugitive Emission Sources) of Benzene

SOURCE: 49 FR 23513, June 6, 1984, unless otherwise noted.

### § 61.110 Applicability and designation of sources.

(a) The provisions of this subpart apply to each of the following sources that are intended to operate in benzene service: pumps, compressors, pressure relief devices, sampling connections, systems, open-ended valves or lines, valves, flanges and other connectors, product accumulator vessels, and control devices or systems required by this subpart.

(b) The provisions of this subpart do not apply to sources located in coke by-product plants.

(c)(1) If an owner or operator applies for one of the exemptions in this paragraph, then the owner or operator shall maintain records as required in § 61.246(i).

(2) Any equipment in benzene service that is located at a plant site designed

to produce or use less than 1,000 megagrams of benzene per year is exempt from the requirements of § 61.112.

(3) Any process unit (defined in § 61.241) that has no equipment in benzene service is exempt from the requirements of § 61.112.

(d) While the provisions of this subpart are effective, a source to which this subpart applies that is also subject to the provisions of 40 CFR part 60 only will be required to comply with the provisions of this subpart.

### § 61.111 Definitions.

As used in this subpart, all terms not defined herein shall have the meaning given them in the Act, in subpart A of part 61, or in subpart V of part 61, and the following terms shall have the specific meanings given them:

*In benzene service* means that a piece of equipment either contains or contacts a fluid (Liquid or gas) that is at least 10 percent benzene by weight as determined according to the provisions of § 61.245(d). The provisions of § 61.245(d) also specify how to determine that a piece of equipment is not in benzene service.

*Semiannual* means a 6-month period; the first semiannual period concludes on the last day of the last month during the 180 days following initial start-up for new sources; and the first semiannual period concludes on the last day of the last full month during the 180 days after June 6, 1984 for existing sources.

### § 61.112 Standards.

(a) Each owner or operator subject to the provisions of this subpart shall comply with the requirements of subpart V of this part.

(b) An owner or operator may elect to comply with the requirements of §§ 61.243–1 and 61.243–2.

(c) An owner or operator may apply to the Administrator for a determination of an alternative means of emission limitation that achieves a reduction in emissions of benzene at least equivalent to the reduction in emissions of benzene achieved by the controls required in this subpart. In doing so, the owner or operator shall comply with requirements of § 61.244.

**Subpart K—National Emission Standards for Radionuclide Emissions From Elemental Phosphorus Plants**

SOURCE: 54 FR 51699, Dec. 15, 1989, unless otherwise noted.

**§ 61.120 Applicability.**

The provisions of this subpart are applicable to owners or operators of calciners and nodulizing kilns at elemental phosphorus plants.

**§ 61.121 Definitions.**

(a) *Elemental phosphorus plant* or *plant* means any facility that processes phosphate rock to produce elemental phosphorus. A plant includes all buildings, structures, operations, calciners and nodulizing kilns on one contiguous site.

(b) *Calciner* or *Nodulizing kiln* means a unit in which phosphate rock is heated to high temperatures to remove organic material and/or to convert it to a nodular form. For the purpose of this subpart, calciners and nodulizing kilns are considered to be similar units.

**§ 61.122 Emission standard.**

Emissions of polonium-210 to the ambient air from all calciners and nodulizing kilns at an elemental phosphorus plant shall not exceed a total of 2 curies a year; except that compliance with this standard may be conclusively shown if the elemental phosphorus plant:

(a) Installs a Hydro-Sonic® Tandem Nozzle Fixed Throat Free-Jet Scrubber System including four scrubber units,

(b) All four scrubber units are operated continuously with a minimum average over any 6-hour period of 40 inches (water column) of pressure drop across each scrubber during calcining of phosphate shale,

(c) The system is used to scrub emissions from all calciners and/or nodulizing kilns at the plant, and

(d) Total emissions of polonium-210 from the plant do not exceed 4.5 curies per year.

Alternative operating conditions, which can be shown to achieve an overall removal efficiency for emissions of polonium-210 which is equal to or

greater than the efficiency which would be achieved under the operating conditions described in paragraphs (a), (b), and (c) of this section, may be used with prior approval of the Administrator. A facility shall apply for such approval in writing, and the Administrator shall act upon the request within 30 days after receipt of a complete and technically sufficient application.

[56 FR 65943, Dec. 19, 1991]

**§ 61.123 Emission testing.**

(a) Each owner or operator of an elemental phosphorus plant shall test emissions from the plant within 90 days of the effective date of this standard and annually thereafter. The Administrator may temporarily or permanently waive the annual testing requirement or increase the frequency of testing, if the Administrator determines that more testing is required.

(b) The Administrator shall be notified at least 30 days prior to an emission test so that EPA may, at its option, observe the test.

(c) An emission test shall be conducted at each operational calciner or nodulizing kiln. If emissions from a calciner or nodulizing kiln are discharged through more than one stack, then an emission test shall be conducted at each stack and the total emission rate from the calciner or kiln shall be the sum of the emission rates from each of the stacks.

(d) Each emission test shall consist of three sampling runs that meet the requirements of § 61.125. The phosphate rock processing rate during each run shall be recorded. An emission rate in curies per metric ton of phosphate rock processed shall be calculated for each run. The average of all three runs shall apply in computing the emission rate for the test. The annual polonium-210 emission rate from a calciner or nodulizing kiln shall be determined by multiplying the measured polonium-210 emission rate in curies per metric ton of phosphate rock processed by the annual phosphate rock processing rate in metric tons. In determining the annual phosphate rock processing rate, the values used for operating hours and operating capacity shall be values that will maximize the expected processing rate. For determining compliance with

## § 61.124

the emission standard of § 61.122, the total annual emission rate is the sum of the annual emission rates for all operating calciners and nodulizing kilns.

(e) If the owner or operator changes his operation in such a way as to increase his emissions of polonium-210, such as changing the type of rock processed, the temperature of the calciners or kilns, or increasing the annual phosphate rock processing rate, then a new emission test, meeting the requirements of this section, shall be conducted within 45 days under these conditions.

(f) Each owner or operator of an elemental phosphorus plant shall furnish the Administrator with a written report of the results of the emission test within 60 days of conducting the test. The report must provide the following information:

(1) The name and location of the facility.

(2) The name of the person responsible for the operation of the facility and the name of the person preparing the report (if different).

(3) A description of the effluent controls that are used on each stack, vent, or other release point and an estimate of the efficiency of each device.

(4) The results of the testing, including the results of each sampling run completed.

(5) The values used in calculating the emissions and the source of these data.

(6) Each report shall be signed and dated by a corporate officer in charge of the facility and contain the following declaration immediately above the signature line: "I certify under penalty of law that I have personally examined and am familiar with the information submitted herein and based on my inquiry of those individuals immediately responsible for obtaining the information, I believe that the submitted information is true, accurate and complete. I am aware that there are significant penalties for submitting false information including the possibility of fine and imprisonment. See, 18 U.S.C. 1001."

### § 61.124 Recordkeeping requirements.

The owner or operator of any plant must maintain records documenting the source of input parameters includ-

## 40 CFR Ch. I (7-1-00 Edition)

ing the results of all measurements upon which they are based, the calculations and/or analytical methods used to derive values for input parameters, and the procedure used in emission testing. This documentation should be sufficient to allow an independent auditor to verify the accuracy of the results of the emission testing. These records must be kept at the site of the plant for at least five years and, upon request, be made available for inspection by the Administrator, or his authorized representative.

### § 61.125 Test methods and procedures.

(a) Each owner or operator of a source required to test emissions under § 61.123, unless an equivalent or alternate method has been approved by the Administrator, shall use the following test methods:

(1) Test Method 1 of appendix A to 40 CFR part 60 shall be used to determine sample and velocity traverses;

(2) Test Method 2 of appendix A to 40 CFR part 60 shall be used to determine velocity and volumetric flow rate;

(3) Test Method 3 of appendix A to 40 CFR part 60 shall be used for gas analysis;

(4) Test Method 5 of appendix A to 40 CFR part 60 shall be used to collect particulate matter containing the polonium-210; and

(5) Test Method 111 of appendix B to 40 CFR part 61 shall be used to determine the polonium-210 emissions.

### § 61.126 Monitoring of operations.

(a) The owner or operator of any source subject to this subpart using a wet-scrubbing emission control device shall install, calibrate, maintain, and operate a monitoring device for the continuous measurement and recording of the pressure drop of the gas stream across each scrubber. The monitoring device must be certified by the manufacturer to be accurate within  $\pm 250$  pascal ( $\pm 1$  inch of water). The owner or operator of any source subject to this subpart using a wet-scrubbing emission control device shall also install, calibrate, maintain, and operate a monitoring device for the continuous measurement and recording of the scrubber

## Environmental Protection Agency

## § 61.131

fluid flow rate. These continuous measurement recordings shall be maintained at the source and made available for inspection by the Administrator, or his authorized representative, for a minimum of 5 years.

(b) The owner or operator of any source subject to this subpart using an electrostatic precipitator control device shall install, calibrate, maintain, and operate a monitoring device for the continuous measurement and recording of the primary and secondary current and the voltage in each electric field. These continuous measurement recordings shall be maintained at the source and made available for inspection by the Administrator, or his authorized representative, for a minimum of 5 years.

[56 FR 65943, Dec. 19, 1991]

### § 61.127 Exemption from the reporting and testing requirements of 40 CFR 61.10.

All facilities designated under this subpart are exempt from the reporting requirements of 40 CFR 61.10.

## Subpart L—National Emission Standard for Benzene Emissions from Coke By-Product Recovery Plants

SOURCE: 54 FR 38073, Sept. 14, 1989, unless otherwise noted.

### § 61.130 Applicability, designation of sources, and delegation of authority.

(a) The provisions of this subpart apply to each of the following sources at furnace and foundry coke by-product recovery plants: tar decanters, tar storage tanks, tar-intercepting sumps, flushing-liquor circulation tanks, light-oil sumps, light-oil condensers, light-oil decanters, wash-oil decanters, wash-oil circulation tanks, naphthalene processing, final coolers, final-cooler cooling towers, and the following equipment that are intended to operate in benzene service: pumps, valves, exhausters, pressure relief devices, sampling connection systems, open-ended valves or lines, flanges or other connectors, and control devices or systems required by § 61.135.

(b) The provisions of this subpart also apply to benzene storage tanks, BTX storage tanks, light-oil storage tanks, and excess ammonia-liquor storage tanks at furnace coke by-product recovery plants.

(c) In delegating implementation and enforcement authority to a State under section 112 of the Act, the authorities contained in paragraph (d) of this section shall be retained by the Administrator and not transferred to a State.

(d) Authorities that will not be delegated to States: § 61.136(d).

[54 FR 51699, Dec. 15, 1989, as amended at 56 FR 47406, Sept. 19, 1991]

### § 61.131 Definitions.

As used in this subpart, all terms not defined herein shall have the meaning given them in the Act, in subpart A of part 61, and in subpart V of part 61. The following terms shall have the specific meanings given them:

*Annual coke production* means the coke produced in the batteries connected to the coke by-product recovery plant over a 12-month period. The first 12-month period concludes on the first December 31 that comes at least 12 months after the effective date or after the date of initial startup if initial startup is after the effective date.

*Benzene storage tank* means any tank, reservoir, or container used to collect or store refined benzene.

*BTX storage tank* means any tank, reservoir, or container used to collect or store benzene-toluene-xylene or other light-oil fractions.

*Car seal* means a seal that is placed on the device used to change the position of a valve (e.g., from open to closed) such that the position of the valve cannot be changed without breaking the seal and requiring the replacement of the old seal, once broken, with a new seal.

*Coke by-product recovery plant* means any plant designed and operated for the separation and recovery of coal tar derivatives (by-products) evolved from coal during the coking process of a coke oven battery.

*Equipment* means each pump, valve, exhauster, pressure relief device, sampling connection system, open-ended

valve or line, and flange or other connector in benzene service.

*Excess ammonia-liquor storage tank* means any tank, reservoir, or container used to collect or store a flushing liquor solution prior to ammonia or phenol recovery.

*Exhauster* means a fan located between the inlet gas flange and outlet gas flange of the coke oven gas line that provides motive power for coke oven gases.

*Foundry coke* means coke that is produced from raw materials with less than 26 percent volatile material by weight and that is subject to a coking period of 24 hours or more. Percent volatile material of the raw materials (by weight) is the weighted average percent volatile material of all raw materials (by weight) charged to the coke oven per coking cycle.

*Foundry coke by-product recovery plant* means a coke by-product recovery plant connected to coke batteries whose annual coke production is at least 75 percent foundry coke.

*Flushing-liquor circulation tank* means any vessel that functions to store or contain flushing liquor that is separated from the tar in the tar decanter and is recirculated as the cooled liquor to the gas collection system.

*Furnace coke* means coke produced in by-product ovens that is not foundry coke.

*Furnace coke by-product recovery plant* means a coke by-product recovery plant that is not a foundry coke by-product recovery plant.

*In benzene service* means a piece of equipment, other than an exhauster, that either contains or contacts a fluid (liquid or gas) that is at least 10 percent benzene by weight or any exhauster that either contains or contacts a fluid (liquid or gas) at least 1 percent benzene by weight as determined by the provisions of §61.137(b). The provisions of §61.137(b) also specify how to determine that a piece of equipment is not in benzene service.

*Light-oil condenser* means any unit in the light-oil recovery operation that functions to condense benzene-containing vapors.

*Light-oil decanter* means any vessel, tank, or other type of device in the light-oil recovery operation that func-

tions to separate light oil from water downstream of the light-oil condenser. A light-oil decanter also may be known as a light-oil separator.

*Light-oil storage tank* means any tank, reservoir, or container used to collect or store crude or refined light-oil.

*Light-oil sump* means any tank, pit, enclosure, or slop tank in light-oil recovery operations that functions as a wastewater separation device for hydrocarbon liquids on the surface of the water.

*Naphthalene processing* means any operations required to recover naphthalene including the separation, refining, and drying of crude or refined naphthalene.

*Non-regenerative carbon adsorber* means a series, over time, of non-regenerative carbon beds applied to a single source or group of sources, where non-regenerative carbon beds are carbon beds that are either never regenerated or are moved from their location for regeneration.

*Process vessel* means each tar decanter, flushing-liquor circulation tank, light-oil condenser, light-oil decanter, wash-oil decanter, or wash-oil circulation tank.

*Regenerative carbon adsorber* means a carbon adsorber applied to a single source or group of sources, in which the carbon beds are regenerated without being moved from their location.

*Semiannual* means a 6-month period; the first semiannual period concludes on the last day of the last full month during the 180 days following initial startup for new sources; the first semiannual period concludes on the last day of the last full month during the 180 days after the effective date of the regulation for existing sources.

*Tar decanter* means any vessel, tank, or container that functions to separate heavy tar and sludge from flushing liquor by means of gravity, heat, or chemical emulsion breakers. A tar decanter also may be known as a flushing-liquor decanter.

*Tar storage tank* means any vessel, tank, reservoir, or other type of container used to collect or store crude tar or tar-entrained naphthalene, except for tar products obtained by distillation, such as coal tar pitch, creosotes,



or carbolic oil. This definition also includes any vessel, tank, reservoir, or container used to reduce the water content of the tar by means of heat, residence time, chemical emulsion breakers, or centrifugal separation. A tar storage tank also may be known as a tar-dewatering tank.

*Tar-intercepting sump* means any tank, pit, or enclosure that serves to receive or separate tars and aqueous condensate discharged from the primary cooler. A tar-intercepting sump also may be known as a primary-cooler decanter.

*Vapor incinerator* means any enclosed combustion device that is used for destroying organic compounds and does not necessarily extract energy in the form of steam or process heat.

*Wash-oil circulation tank* means any vessel that functions to hold the wash oil used in light-oil recovery operations or the wash oil used in the wash-oil final cooler.

*Wash-oil decanter* means any vessel that functions to separate, by gravity, the condensed water from the wash oil received from a wash-oil final cooler or from a light-oil scrubber.

[54 FR 38073, Sept. 14, 1989, as amended at 56 FR 47406, Sept. 19, 1991]

**§ 61.132 Standard: Process vessels, storage tanks, and tar-intercepting sumps.**

(a)(1) Each owner or operator of a furnace or a foundry coke byproduct recovery plant shall enclose and seal all openings on each process vessel, tar storage tank, and tar-intercepting sump.

(2) The owner or operator shall duct gases from each process vessel, tar storage tank, and tar-intercepting sump to the gas collection system, gas distribution system, or other enclosed point in the by-product recovery process where the benzene in the gas will be recovered or destroyed. This control system shall be designed and operated for no detectable emissions, as indicated by an instrument reading of less than 500 ppm above background and visual inspections, as determined by the methods specified in § 61.245(c). This system can be designed as a closed, positive pressure, gas blanketing system.

(i) Except, the owner or operator may elect to install, operate, and maintain a pressure relief device, vacuum relief device, an access hatch, and a sampling port on each process vessel, tar storage tank, and tar-intercepting sump. Each access hatch and sampling port must be equipped with a gasket and a cover, seal, or lid that must be kept in a closed position at all times, unless in actual use.

(ii) The owner or operator may elect to leave open to the atmosphere the portion of the liquid surface in each tar decanter necessary to permit operation of a sludge conveyor. If the owner or operator elects to maintain an opening on part of the liquid surface of the tar decanter, the owner or operator shall install, operate, and maintain a water leg seal on the tar decanter roof near the sludge discharge chute to ensure enclosure of the major portion of liquid surface not necessary for the operation of the sludge conveyor.

(b) Following the installation of any control equipment used to meet the requirements of paragraph (a) of this section, the owner or operator shall monitor the connections and seals on each control system to determine if it is operating with no detectable emissions, using Reference Method 21 (40 CFR part 60, appendix A) and procedures specified in § 61.245(c), and shall visually inspect each source (including sealing materials) and the ductwork of the control system for evidence of visible defects such as gaps or tears. This monitoring and inspection shall be conducted on a semiannual basis and at any other time after the control system is repressurized with blanketing gas following removal of the cover or opening of the access hatch.

(1) If an instrument reading indicates an organic chemical concentration more than 500 ppm above a background concentration, as measured by Reference Method 21, a leak is detected.

(2) If visible defects such as gaps in sealing materials are observed during a visual inspection, a leak is detected.

(3) When a leak is detected, it shall be repaired as soon as practicable, but not later than 15 calendar days after it is detected.

(4) A first attempt at repair of any leak or visible defect shall be made no

### § 61.133

later than 5 calendar days after each leak is detected.

(c) Following the installation of any control system used to meet the requirements of paragraph (a) of this section, the owner or operator shall conduct a maintenance inspection of the control system on an annual basis for evidence of system abnormalities, such as blocked or plugged lines, sticking valves, plugged condensate traps, and other maintenance defects that could result in abnormal system operation. The owner or operator shall make a first attempt at repair within 5 days, with repair within 15 days of detection.

(d) Each owner or operator of a furnace coke by-product recovery plant also shall comply with the requirements of paragraphs (a)-(c) of this section for each benzene storage tank, BTX storage tank, light-oil storage tank, and excess ammonia-liquor storage tank.

#### § 61.133 Standard: Light-oil sumps.

(a) Each owner or operator of a light-oil sump shall enclose and seal the liquid surface in the sump to form a closed system to contain the emissions.

(1) Except, the owner or operator may elect to install, operate, and maintain a vent on the light-oil sump cover. Each vent pipe must be equipped with a water leg seal, a pressure relief device, or vacuum relief device.

(2) Except, the owner or operator may elect to install, operate, and maintain an access hatch on each light-oil sump cover. Each access hatch must be equipped with a gasket and a cover, seal, or lid that must be kept in a closed position at all times, unless in actual use.

(3) The light-oil sump cover may be removed for periodic maintenance but must be replaced (with seal) at completion of the maintenance operation.

(b) The venting of steam or other gases from the by-product process to the light-oil sump is not permitted.

(c) Following the installation of any control equipment used to meet the requirements of paragraph (a) of this section, the owner or operator shall monitor the connections and seals on each control system to determine if it is operating with no detectable emissions, using Reference Method 21 (40 CFR part

### 40 CFR Ch. I (7-1-00 Edition)

60, appendix A) and the procedures specified in § 61.245(c), and shall visually inspect each source (including sealing materials) for evidence of visible defects such as gaps or tears. This monitoring and inspection shall be conducted semiannually and at any other time the cover is removed.

(1) If an instrument reading indicates an organic chemical concentration more than 500 ppm above a background concentration, as measured by Reference Method 21, a leak is detected.

(2) If visible defects such as gaps in sealing materials are observed during a visual inspection, a leak is detected.

(3) When a leak is detected, it shall be repaired as soon as practicable, but not later than 15 calendar days after it is detected.

(4) A first attempt at repair of any leak or visible defect shall be made no later than 5 calendar days after each leak is detected.

#### § 61.134 Standard: Naphthalene processing, final coolers, and final-cooler cooling towers.

(a) No ("zero") emissions are allowed from naphthalene processing, final coolers and final-cooler cooling towers at coke by-product recovery plants.

#### § 61.135 Standard: Equipment leaks.

(a) Each owner or operator of equipment in benzene service shall comply with the requirements of 40 CFR part 61, subpart V, except as provided in this section.

(b) The provisions of § 61.242-3 and § 61.242-9 of subpart V do not apply to this subpart.

(c) Each piece of equipment in benzene service to which this subpart applies shall be marked in such a manner that it can be distinguished readily from other pieces of equipment in benzene service.

(d) Each exhauster shall be monitored quarterly to detect leaks by the methods specified in § 61.245(b) except as provided in § 61.136(d) and paragraphs (e)-(g) of this section.

(1) If an instrument reading of 10,000 ppm or greater is measured, a leak is detected.

(2) When a leak is detected, it shall be repaired as soon as practicable, but no later than 15 calendar days after it

is detected, except as provided in §61.242-10 (a) and (b). A first attempt at repair shall be made no later than 5 calendar days after each leak is detected.

(e) Each exhauster equipped with a seal system that includes a barrier fluid system and that prevents leakage of process fluids to the atmosphere is exempt from the requirements of paragraph (d) of this section provided the following requirements are met:

(1) Each exhauster seal system is:

(i) Operated with the barrier fluid at a pressure that is greater than the exhauster stuffing box pressure; or

(ii) Equipped with a barrier fluid system that is connected by a closed vent system to a control device that complies with the requirements of §61.242-11; or

(iii) Equipped with a system that purges the barrier fluid into a process stream with zero benzene emissions to the atmosphere.

(2) The barrier fluid is not in benzene service.

(3) Each barrier fluid system shall be equipped with a sensor that will detect failure of the seal system, barrier fluid system, or both.

(4)(i) Each sensor as described in paragraph (e)(3) of this section shall be checked daily or shall be equipped with an audible alarm.

(ii) The owner or operator shall determine, based on design considerations and operating experience, a criterion that indicates failure of the seal system, the barrier fluid system, or both.

(5) If the sensor indicates failure of the seal system, the barrier system, or both (based on the criterion determined under paragraph (e)(4)(ii) of this section), a leak is detected.

(6)(i) When a leak is detected, it shall be repaired as soon as practicable, but not later than 15 calendar days after it is detected, except as provided in §61.242-10.

(ii) A first attempt at repair shall be made no later than 5 calendar days after each leak is detected.

(f) An exhauster is exempt from the requirements of paragraph (d) of this section if it is equipped with a closed vent system capable of capturing and transporting any leakage from the seal

or seals to a control device that complies with the requirements of §61.242-11 except as provided in paragraph (g) of this section.

(g) Any exhauster that is designated, as described in §61.246(e) for no detectable emissions, as indicated by an instrument reading of less than 500 ppm above background, is exempt from the requirements of paragraph (d) of this section if the exhauster:

(1) Is demonstrated to be operating with no detectable emissions, as indicated by an instrument reading of less than 500 ppm above background, as measured by the methods specified in §61.245(c); and

(2) Is tested for compliance with paragraph (g)(1) of this section initially upon designation, annually, and at other times requested by the Administrator.

(h) Any exhauster that is in vacuum service is excluded from the requirements of this subpart if it is identified as required in §61.246(e)(5).

**§ 61.136 Compliance provisions and alternative means of emission limitation.**

(a) Each owner or operator subject to the provisions of this subpart shall demonstrate compliance with the requirements of §§61.132 through 61.135 for each new and existing source, except as provided under §§61.243-1 and 61.243-2.

(b) Compliance with this subpart shall be determined by a review of records, review of performance test results, inspections, or any combination thereof, using the methods and procedures specified in §61.137.

(c) On the first January 1 after the first year that a plant's annual coke production is less than 75 percent foundry coke, the coke by-product recovery plant becomes a furnace coke by-product recovery plant and shall comply with 61.132(d). Once a plant becomes a furnace coke by-product recovery plant, it will continue to be considered a furnace coke by-product recovery plant, regardless of the coke production in subsequent years.

(d)(1) An owner or operator may request permission to use an alternative means of emission limitation to meet the requirements in §§61.132, 61.133, and

## § 61.137

61.135 of this subpart and §§ 61.242-2, -5, -6, -7, -8, and -11 of subpart V. Permission to use an alternative means of emission limitation shall be requested as specified in § 61.12(d).

(2) When the Administrator evaluates requests for permission to use alternative means of emission limitation for sources subject to §§ 61.132 and 61.133 (except tar decanters) the Administrator shall compare test data for the means of emission limitation to a benzene control efficiency of 98 percent. For tar decanters, the Administrator shall compare test data for the means of emission limitation to a benzene control efficiency of 95 percent.

(3) For any requests for permission to use an alternative to the work practices required under § 61.135, the provisions of § 61.244(c) shall apply.

### § 61.137 Test methods and procedures.

(a) Each owner or operator subject to the provisions of this subpart shall comply with the requirements in § 61.245 of 40 CFR part 61, subpart V.

(b) To determine whether or not a piece of equipment is in benzene service, the methods in § 61.245(d) shall be used, except that, for exhausters, the percent benzene shall be 1 percent by weight, rather than the 10 percent by weight described in § 61.245(d).

### § 61.138 Recordkeeping and reporting requirements.

(a) The following information pertaining to the design of control equipment installed to comply with §§ 61.132 through 61.134 shall be recorded and kept in a readily accessible location:

(1) Detailed schematics, design specifications, and piping and instrumentation diagrams.

(2) The dates and descriptions of any changes in the design specifications.

(b) The following information pertaining to sources subject to § 61.132 and sources subject to § 61.133 shall be recorded and maintained for 2 years following each semiannual (and other) inspection and each annual maintenance inspection:

(1) The date of the inspection and the name of the inspector.

(2) A brief description of each visible defect in the source or control equip-

## 40 CFR Ch. I (7-1-00 Edition)

ment and the method and date of repair of the defect.

(3) The presence of a leak, as measured using the method described in § 61.245(c). The record shall include the date of attempted and actual repair and method of repair of the leak.

(4) A brief description of any system abnormalities found during the annual maintenance inspection, the repairs made, the date of attempted repair, and the date of actual repair.

(c) Each owner or operator of a source subject to § 61.135 shall comply with § 61.246.

(d) For foundry coke by-product recovery plants, the annual coke production of both furnace and foundry coke shall be recorded and maintained for 2 years following each determination.

(e)(1) An owner or operator of any source to which this subpart applies shall submit a statement in writing notifying the Administrator that the requirements of this subpart and 40 CFR 61, subpart V, have been implemented.

(2) In the case of an existing source or a new source that has an initial startup date preceding the effective date, the statement is to be submitted within 90 days of the effective date, unless a waiver of compliance is granted under § 61.11, along with the information required under § 61.10. If a waiver of compliance is granted, the statement is to be submitted on a date scheduled by the Administrator.

(3) In the case of a new source that did not have an initial startup date preceding the effective date, the statement shall be submitted with the application for approval of construction, as described under § 61.07.

(4) The statement is to contain the following information for each source:

(i) Type of source (e.g., a light-oil sump or pump).

(ii) For equipment in benzene service, equipment identification number and process unit identification: percent by weight benzene in the fluid at the equipment; and process fluid state in the equipment (gas/vapor or liquid).

(iii) Method of compliance with the standard (e.g., "gas blanketing," "monthly leak detection and repair," or "equipped with dual mechanical seals"). This includes whether the plant plans to be a furnace or foundry

## Environmental Protection Agency

## § 61.139

coke by-product recovery plant for the purposes of § 61.132(d).

(f) A report shall be submitted to the Administrator semiannually starting 6 months after the initial reports required in § 61.138(e) and § 61.10, which includes the following information:

(1) For sources subject to § 61.132 and sources subject to § 61.133,

(i) A brief description of any visible defect in the source or ductwork,

(ii) The number of leaks detected and repaired, and

(iii) A brief description of any system abnormalities found during each annual maintenance inspection that occurred in the reporting period and the repairs made.

(2) For equipment in benzene service subject to § 61.135(a), information required by § 61.247(b).

(3) For each exhauster subject to § 61.135 for each quarter during the semiannual reporting period,

(i) The number of exhausters for which leaks were detected as described in § 61.135 (d) and (e)(5),

(ii) The number of exhausters for which leaks were repaired as required in § 61.135 (d) and (e)(6),

(iii) The results of performance tests to determine compliance with § 61.135(g) conducted within the semi-annual reporting period.

(4) A statement signed by the owner or operator stating whether all provisions of 40 CFR part 61, subpart L, have been fulfilled during the semiannual reporting period.

(5) For foundry coke by-product recovery plants, the annual coke production of both furnace and foundry coke, if determined during the reporting period.

(6) Revisions to items reported according to paragraph (e) of this section if changes have occurred since the initial report or subsequent revisions to the initial report.

NOTE: Compliance with the requirements of § 61.10(c) is not required for revisions documented under this paragraph.

(g) In the first report submitted as required in § 61.138(e), the report shall include a reporting schedule stating the months that semiannual reports shall be submitted. Subsequent reports shall be submitted according to that schedule unless a revised schedule has

been submitted in a previous semi-annual report.

(h) An owner or operator electing to comply with the provisions of §§ 61.243-1 and 61.243-2 shall notify the Administrator of the alternative standard selected 90 days before implementing either of the provisions.

(i) An application for approval of construction or modification, as required under §§ 61.05(a) and 61.07, will not be required for sources subject to 61.135 if:

(1) The new source complies with § 61.135, and

(2) In the next semiannual report required by § 61.138(f), the information described in § 61.138(e)(4) is reported.

[55 FR 38073, Sept. 14, 1990; 55 FR 14037, Apr. 13, 1990]

### **§ 61.139 Provisions for alternative means for process vessels, storage tanks, and tar-intercepting sumps.**

(a) As an alternative means of emission limitation for a source subject to § 61.132(a)(2) or § 61.132(d), the owner or operator may route gases from the source through a closed vent system to a carbon adsorber or vapor incinerator that is at least 98 percent efficient at removing benzene from the gas stream.

(1) The provisions of § 61.132(a)(1) and § 61.132(a)(2)(i) and (ii) shall apply to the source.

(2) The seals on the source and closed vent system shall be designed and operated for no detectable emissions, as indicated by an instrument reading of less than 500 ppm above background and visual inspections, as determined by the methods specified in § 61.245(c).

(3) The provisions of § 61.132(b) shall apply to the seals and closed vent system.

(b) For each carbon adsorber, the owner or operator shall adhere to the following practices:

(1) Benzene captured by each carbon adsorber shall be recycled or destroyed in a manner that prevents benzene from being emitted to the atmosphere.

(2) Carbon removed from each carbon adsorber shall be regenerated or destroyed in a manner that prevents benzene from being emitted to the atmosphere.

(3) For each regenerative carbon adsorber, the owner or operator shall

§61.139

40 CFR Ch. I (7-1-00 Edition)

initiate regeneration of the spent carbon bed and vent the emissions from the source to a regenerated carbon bed no later than when the benzene concentration or organic vapor concentration level in the adsorber outlet vent reaches the maximum concentration point, as determined in §61.139(h).

(4) For each non-regenerative carbon adsorber, the owner or operator shall replace the carbon at the scheduled replacement time, or as soon as practicable (but not later than 16 hours) after an exceedance of the maximum concentration point is detected, whichever is sooner.

(i) For each non-regenerative carbon adsorber, the scheduled replacement time means the day that is estimated to be 90 percent of the demonstrated bed life, as defined in §61.139(h)(5).

(ii) For each non-regenerative carbon adsorber, an exceedance of the maximum concentration point shall mean any concentration greater than or equal to the maximum concentration point as determined in §61.139(h).

(c) Compliance with the provisions of this section shall be determined as follows:

(1) For each carbon adsorber and vapor incinerator, the owner or operator shall demonstrate compliance with the efficiency limit by a compliance test as specified in §61.13 and §61.139(g). If a waiver of compliance has been granted under §61.11, the deadline for conducting the initial compliance test shall be incorporated into the terms of the waiver. The benzene removal efficiency rate for each carbon adsorber and vapor incinerator shall be calculated as in the following equation:

$$E = \frac{\sum_{i=1}^n Q_{bi}C_{bi} - \sum_{j=1}^m Q_{aj}C_{aj}}{\sum_{i=1}^n Q_{bi}C_{bi}} \times 100$$

Where:

E=percent removal of benzene.

$C_{aj}$ =concentration of benzene in vents after the control device, parts per million (ppm).

$C_{bi}$ =concentration of benzene in vents before the control device, ppm.

$Q_{aj}$ =volumetric flow rate in vents after the control device, standard cubic meters/minute (scm/min).

$Q_{bi}$ =volumetric flow rate in vents before the control device, scm/min.

m=number of vents after the control device.

n=number of vents after the control device.

(2) Compliance with all other provisions in this section shall be determined by inspections or the review of records and reports.

(d) For each regenerative carbon adsorber, the owner or operator shall install and operate a monitoring device that continuously indicates and records either the concentration of benzene or the concentration level of organic compounds in the outlet vent of the carbon adsorber. The monitoring device shall be installed, calibrated, maintained and operated in accordance with the manufacturer's specifications.

(1) Measurement of benzene concentration shall be made according to §61.139(g)(2).

(2) All measurements of organic compound concentration levels shall be reasonable indicators of benzene concentration.

(i) The monitoring device for measuring organic compound concentration levels shall be based on one of the following detection principles: Infrared absorption, flame ionization, catalytic oxidation, photoionization, or thermal conductivity.

(ii) The monitoring device shall meet the requirements of part 60, appendix A, method 21, sections 2, 3, 4.1, 4.2, and 4.4. For the purpose of the application of method 21 to this section, the words "leak definition" shall be the maximum concentration point, which would be estimated until it is established under §61.139(h). The calibration gas shall either be benzene or methane and shall be at a concentration associated with 125 percent of the expected organic compound concentration level for the carbon adsorber outlet vent.

(e) For each non-regenerative carbon adsorber, the owner or operator shall monitor either the concentration of benzene or the concentration level of organic compounds at the outlet vent of the adsorber. The monitoring device shall be calibrated, operated and maintained in accordance with the manufacturer's specifications.

(1) Measurements of benzene concentration shall be made according to §61.139(g)(2). The measurement shall be

conducted over at least one 5-minute interval during which flow into the carbon adsorber is expected to occur.

(2) All measurements of organic compound concentration levels shall be reasonable indicators of benzene concentration.

(i) The monitoring device for measuring organic compound concentration levels shall meet the requirements of paragraphs § 61.139(d)(2) (i) and (ii).

(ii) The probe inlet of the monitoring device shall be placed at approximately the center of the carbon adsorber outlet vent. The probe shall be held there for at least 5 minutes during which flow into the carbon adsorber is expected to occur. The maximum reading during that period shall be used as the measurement.

(3) Monitoring shall be performed at least once within the first 7 days after replacement of the carbon bed occurs, and monthly thereafter until 10 days before the scheduled replacement time, at which point monitoring shall be done daily, except as specified in paragraphs (e)(4) and (e)(5) of this section.

(4) If an owner or operator detects an exceedance of the maximum concentration point during the monthly monitoring or on the first day of daily monitoring as prescribed in paragraph (e)(3) of this section, then, after replacing the bed, the owner or operator shall begin the daily monitoring of the replacement carbon bed on the day after the last scheduled monthly monitoring before the exceedance was detected, or 10 days before the exceedance was detected, whichever is longer.

(5) If an owner or operator detects an exceedance of the maximum concentration point during the daily monitoring as prescribed in paragraph (e)(3) of this section, except on the first day, then, after replacing the bed, the owner or operator shall begin the daily monitoring of the replacement carbon bed 10 days before the exceedance was detected.

(6) If the owner or operator is monitoring on the schedule required in paragraph (e)(4) or paragraph (e)(5) of this section, and the scheduled replacement time is reached without exceeding the maximum concentration point, the owner or operator may return to the monitoring schedule in paragraph

(e)(3) of this section for subsequent carbon beds.

NOTE: This note provides an example of the monitoring schedules in paragraphs (e)(3), (e)(4) and (e)(5) of this section. Assume that the scheduled replacement time for a non-regenerative carbon adsorber is the 105th day after installation. According to the monitoring schedule in paragraph (e)(3) of this section, initial monitoring would be done within 7 days after installation, monthly monitoring would be done on the 30th, 60th and 90th days, and daily monitoring would begin on the 95th day after installation. Now assume that an exceedance of the maximum concentration point is detected on the 90th day after installation. On the replacement carbon bed, the owner or operator would begin daily monitoring on the 61st day after installation (i.e., the day after the last scheduled monthly monitoring before the exceedance was detected), according to the requirements in paragraph (e)(4) of this section. If, instead, the exceedance were detected on the first bed on the 95th day, the daily monitoring of the replacement bed would begin on the 85th day after installation (i.e., 10 days before the point in the cycle where the exceedance was detected); this is a second example of the requirements in paragraph (e)(4) of this section. Finally, assume that an exceedance of the maximum concentration point is detected on the 100th day after the first carbon adsorber was installed. According to paragraph (e)(5) of this section, daily monitoring of the replacement bed would begin on the 90th day after installation (i.e., 10 days earlier than when the exceedance was detected on the previous bed). In all of these examples, the initial monitoring of the replacement bed within 7 days of installation and the monthly monitoring would proceed as set out in paragraph (e)(3) of this section until daily monitoring was required.

(f) For each vapor incinerator, the owner or operator shall comply with the monitoring requirements specified below:

(1) Install, calibrate, maintain, and operate according to the manufacturer's specifications a temperature monitoring device equipped with a continuous recorder and having an accuracy of  $\pm 1$  percent of the temperature being monitored expressed in degrees Celsius or  $\pm 0.5$  °C, whichever is greater.

(i) Where a vapor incinerator other than a catalytic incinerator is used, the temperature monitoring device shall be installed in the firebox.

(ii) Where a catalytic incinerator is used, temperature monitoring devices

§61.139

40 CFR Ch. I (7-1-00 Edition)

shall be installed in the gas stream immediately before and after the catalyst bed.

(2) Comply with paragraph (f)(2)(i), paragraph (f)(2)(ii), or paragraph (f)(3)(iii) of this section.

(i) Install, calibrate, maintain and operate according to the manufacturer's specifications a flow indicator that provides a record of vent stream flow to the incinerator at least once every hour for each source. The flow indicator shall be installed in the vent stream from each source at a point closest to the inlet of each vapor incinerator and before being joined with any other vent stream.

(ii) Install, calibrate, maintain and operate according to the manufacturer's specifications a flow indicator that provides a record of vent stream flow away from the vapor incinerator at least once every 15 minutes. The flow indicator shall be installed in each bypass line, immediately downstream of the valve that, if opened, would divert the vent stream away from the vapor incinerator.

(iii) Where a valve that opens a bypass line is secured in the closed position with a car seal or a lock-and-key configuration, a flow indicator is not required. The owner or operator shall perform a visual inspection at least once every month to check the position of the valve and the condition of the car seal or lock-and-key configuration. The owner or operator shall also record the date and duration of each time that the valve was opened and the vent stream diverted away from the vapor incinerator.

(g) In conducting the compliance tests required in §61.139(c), and measurements specified in §61.139(d)(1), (e)(1) and (h)(3)(ii), the owner or operator shall use as reference methods the test methods and procedures in appendix A to 40 CFR part 60, or other methods as specified in this paragraph, except as specified in §61.13.

(l) For compliance tests, as described in §61.139(c)(1), the following provisions apply.

(i) All tests shall be run under representative emission concentration and vent flow rate conditions. For sources with intermittent flow rates, representative conditions shall include

typical emission surges (for example, during the loading of a storage tank).

(ii) Each test shall consist of three separate runs. These runs will be averaged to yield the volumetric flow rates and benzene concentrations in the equation in §61.139(c)(1). Each run shall be a minimum of 1 hour.

(A) For each regenerative carbon adsorber, each run shall take place in one adsorption cycle, to include a minimum of 1 hour of sampling immediately preceding the initiation of carbon bed regeneration.

(B) For each non-regenerative carbon adsorber, all runs can occur during one adsorption cycle.

(iii) The measurements during the runs shall be paired so that the inlet and outlet to the control device are measured simultaneously.

(iv) Method 1 or 1A shall be used as applicable for locating measurement sites.

(v) Method 2, 2A, or 2D shall be used as applicable for measuring vent flow rates.

(vi) Method 18 shall be used for determining the benzene concentrations ( $C_{aj}$  and  $C_{bi}$ ). Either follow section 7.1, "Integrated Bag Sampling and Analysis," or section 7.2, "Direct Interface Sampling and Analysis Procedure." A separation column constructed of stainless steel, 1.83 m by 3.2 mm, containing 10 percent 1,2,3-tris (2-cyanoethoxy) propane (TECP) on 80/100 mesh Chromosorb P AW, with a column temperature of 80 °C, a detector temperature of 225 °C, and a flow rate of approximately 20 ml/min, may produce adequate separations. The analyst can use other columns, provided that the precision and accuracy of the analysis of benzene standards is not impaired. The analyst shall have available for review information confirming that there is adequate resolution of the benzene peak.

(A) If section 7.1 is used, the sample rate shall be adjusted to maintain a constant proportion to vent flow rate.

(B) If section 7.2 is used, then each performance test run shall be conducted in intervals of 5 minutes. For each interval "t," readings from each measurement shall be recorded, and the flow rate ( $Q_{aj}$  or  $Q_{bi}$ ) and the corresponding benzene concentration ( $C_{aj}$



## Environmental Protection Agency

## § 61.139

or  $C_{bi}$ ) shall be determined. The sampling system shall be constructed to include a mixing chamber of a volume equal to 5 times the sampling flow rate per minute. Each analysis performed by the chromatograph will then represent an averaged emission value for a 5-minute time period. The vent flow rate readings shall be timed to account for the total sample system residence time. A dual column, dual detector chromatograph can be used to achieve an analysis interval of 5 minutes. The individual benzene concentrations shall be vent flow rate weighted to determine sample run average concentrations. The individual vent flow rates shall be time averaged to determine sample run average flow rates.

(2) For testing the benzene concentration at the outlet vent of the carbon adsorber as specified under §§ 61.139(d)(1), (e)(1) and (h)(3)(ii), the following provisions apply.

(i) The measurement shall be conducted over one 5-minute period.

(ii) The requirements in § 61.139(g)(1)(i) shall apply to the extent practicable.

(iii) The requirements in § 61.139(g)(1)(vi) shall apply. Section 7.2 of method 18 shall be used as described in § 61.139(g)(1)(vi)(B) for benzene concentration measurements.

(h) For each carbon adsorber, the maximum concentration point shall be expressed either as a benzene concentration or organic compound concentration level, whichever is to be indicated by the monitoring device chosen under § 61.139 (d) or (e).

(1) For each regenerative carbon adsorber, the owner or operator shall determine the maximum concentration point at the following times:

(i) No later than the deadline for the initial compliance test as specified in § 61.139(c)(1);

(ii) At the request of the Administrator; and

(iii) At any time chosen by the owner or operator.

(2) For each non-regenerative carbon adsorber, the owner or operator shall determine the maximum concentration point at the following times:

(i) On the first carbon bed to be installed in the adsorber;

(ii) At the request of the Administrator;

(iii) On the next carbon bed after the maximum concentration point has been exceeded (before the scheduled replacement time) for each of three previous carbon beds in the adsorber since the most recent determination; and

(iv) At any other time chosen by the owner or operator.

(3) The maximum concentration point for each carbon adsorber shall be determined through the simultaneous measurement of the outlet of the carbon adsorber with the monitoring device and method 18, except as allowed in paragraph (h)(4) of this section.

(i) Several data points shall be collected according to a schedule determined by the owner or operator. The schedule shall be designed to take frequent samples near the expected maximum concentration point.

(ii) Each data point shall consist of one 5-minute benzene concentration measurement using method 18 as specified in § 61.139(g)(2), and of a simultaneous measurement by the monitoring device. The monitoring device measurement shall be conducted according to § 61.139 (d) or (e), whichever is applicable.

(iii) The maximum concentration point shall be the concentration level, as indicated by the monitoring device, for the last data point at which the benzene concentration is less than 2 percent of the average value of the benzene concentration at the inlet to the carbon adsorber during the most recent compliance test.

(4) If the maximum concentration point is expressed as a benzene concentration, the owner or operator may determine it by calibrating the monitoring device with benzene at a concentration that is 2 percent of the average benzene concentration measured at the inlet to the carbon adsorber during the most recent compliance test. The reading on the monitoring device corresponding to the calibration concentration shall be the maximum concentration point. This method of determination would affect the owner or operator as follows:

**§ 61.139**

**40 CFR Ch. I (7-1-00 Edition)**

(i) For a regenerative carbon adsorber, the owner or operator is exempt from the provisions in paragraph (h)(3) of this section.

(ii) For a non-regenerative carbon adsorber, the owner or operator is required to collect the data points in paragraph (h)(3) of this section with only the monitoring device, and is exempt from the simultaneous method 18 measurement.

(5) For each non-regenerative carbon adsorber, the demonstrated bed life shall be the carbon bed life, measured in days from the time the bed is installed until the maximum concentration point is reached, for the carbon bed that is used to determine the maximum concentration point.

(i) The following recordkeeping requirements are applicable to owners and operators of control devices subject to § 61.139. All records shall be kept updated and in a readily accessible location.

(1) The following information shall be recorded for each control device for the life of the control device:

(i) The design characteristics of the control device and a list of the source or sources vented to it.

(ii) For each carbon absorber, a plan for the method for handling captured benzene and removed carbon to comply with paragraphs (b)(1) and (2) of this section.

(iii) The dates and descriptions of any changes in the design specifications or plan.

(iv) For each carbon adsorber for which organic compounds are monitored as provided under § 61.139 (d) and (e), documentation to show that the measurements of organic compound concentrations are reasonable indicators of benzene concentrations.

(2) For each compliance test as specified in § 61.139(c)(1), the date of the test, the results of the test, and other data needed to determine emissions shall be recorded as specified in § 61.13(g) for at least 2 years or until the next compliance test on the control device, whichever is longer.

(3) For each vapor incinerator, the average firebox temperature of the incinerator (or the average temperature upstream and downstream of the catalyst bed for a catalytic incinerator),

measured and averaged over the most recent compliance test shall be recorded for at least 2 years or until the next compliance test on the incinerator, whichever is longer.

(4) For each carbon adsorber, for each determination of a maximum concentration point as specified in § 61.139(h), the date of the determination, the maximum concentration point, and data needed to make the determination shall be recorded for at least 2 years or until the next maximum concentration point determination on the carbon adsorber, whichever is longer.

(5) For each carbon absorber, the dates of and data from the monitoring required in § 61.139(d) and (e), the date and time of replacement of each carbon bed, the date of each exceedance of the maximum concentration point, and a brief description of the corrective action taken shall be recorded for at least 2 years. Also, the occurrences when the captured benzene or spent carbon are not handled as required in § 61.139(b)(1) and (2) shall be recorded for at least 2 years.

(6) For each vapor incinerator, the data from the monitoring required in § 61.139(f)(1), the dates of all periods of operation during which the parameter boundaries established during the most recent compliance test are exceeded, and a brief description of the corrective action taken shall be recorded for at least 2 years. A period of operation during which the parameter boundaries are exceeded is a 3-hour period of operation during which:

(i) For each vapor incinerator other than a catalytic incinerator, the average combustion temperature is more than 28 °C (50 °F) below the average combustion temperature during the most recent performance test.

(ii) For each catalytic incinerator, the average temperature of the vent stream immediately before the catalyst bed is more than 28 °C (50 °F) below the average temperature of the vent stream during the most recent performance test, or the average temperature difference across the catalyst bed is less than 80 percent of the average temperature difference across the catalyst bed during the most recent performance test.

## Environmental Protection Agency

## § 61.141

(7) For each vapor incinerator, the following shall be recorded for at least 2 years:

(i) If subject to § 61.139(f)(2)(i), records of the flow indication, and of all periods when the vent stream is diverted from the vapor incinerator or has no flow rate.

(ii) If subject to § 61.139(f)(2)(ii), records of the flow indication, and of all periods when the vent stream is diverted from the vapor incinerator.

(iii) If subject to § 61.139(f)(2)(iii), records of the conditions found during each monthly inspection, and of each period when the car seal is broken, when the valve position is changed, or when maintenance on the bypass line valve is performed.

(j) The following reporting requirements are applicable to owners or operators of control devices subject to § 61.139:

(1) Compliance tests shall be reported as specified in § 61.13(f).

(2) The following information shall be reported as part of the semiannual reports required in § 61.138(f).

(i) For each carbon adsorber:

(A) The date and time of detection of each exceedance of the maximum concentration point and a brief description of the time and nature of the corrective action taken.

(B) The date of each time that the captured benzene or removed carbon was not handled as required in § 61.139(b)(1) and (2), and a brief description of the corrective action taken.

(C) The date of each determination of the maximum concentration point, as described in § 61.139(h), and a brief reason for the determination.

(ii) For each vapor incinerator, the date and duration of each exceedance of the boundary parameters recorded under § 61.139(i)(6) and a brief description of the corrective action taken.

(iii) For each vapor incinerator, the date and duration of each period specified as follows:

(A) Each period recorded under § 61.139(i)(7)(i) when the vent stream is diverted from the control device or has no flow rate;

(B) Each period recorded under § 61.139(i)(7)(ii) when the vent stream is diverted from the control device; and

(C) Each period recorded under § 61.139(i)(7)(iii) when the vent stream is diverted from the control device, when the car seal is broken, when the valve is unlocked, or when the valve position has changed.

(iv) For each vapor incinerator, the owner or operator shall specify the method of monitoring chosen under paragraph (f)(2) of this section in the first semiannual report. Any time the owner or operator changes that choice, he shall specify the change in the first semiannual report following the change.

[56 FR 47407, Sept. 19, 1991, as amended at 64 FR 7467, Feb. 12, 1999]

### Subpart M—National Emission Standard for Asbestos

AUTHORITY: 42 U.S.C. 7401, 7412, 7414, 7416, 7601.

SOURCE: 49 FR 13661, Apr. 5, 1984, unless otherwise noted.

#### § 61.140 Applicability.

The provisions of this subpart are applicable to those sources specified in §§ 61.142 through 61.151, 61.154, and 61.155.

[55 FR 48414, Nov. 20, 1990]

#### § 61.141 Definitions.

All terms that are used in this subpart and are not defined below are given the same meaning as in the Act and in subpart A of this part.

*Active waste disposal site* means any disposal site other than an inactive site.

*Adequately wet* means sufficiently mix or penetrate with liquid to prevent the release of particulates. If visible emissions are observed coming from asbestos-containing material, then that material has not been adequately wetted. However, the absence of visible emissions is not sufficient evidence of being adequately wet.

*Asbestos* means the asbestiform varieties of serpentinite (chrysotile), riebeckite (crocidolite), cummingtonite-grunerite, anthophyllite, and actinolite-tremolite.

*Asbestos-containing waste materials* means mill tailings or any waste that contains commercial asbestos and is

generated by a source subject to the provisions of this subpart. This term includes filters from control devices, friable asbestos waste material, and bags or other similar packaging contaminated with commercial asbestos. As applied to demolition and renovation operations, this term also includes regulated asbestos-containing material waste and materials contaminated with asbestos including disposable equipment and clothing.

*Asbestos mill* means any facility engaged in converting, or in any intermediate step in converting, asbestos ore into commercial asbestos. Outside storage of asbestos material is not considered a part of the asbestos mill.

*Asbestos tailings* means any solid waste that contains asbestos and is a product of asbestos mining or milling operations.

*Asbestos waste from control devices* means any waste material that contains asbestos and is collected by a pollution control device.

*Category I nonfriable asbestos-containing material (ACM)* means asbestos-containing packings, gaskets, resilient floor covering, and asphalt roofing products containing more than 1 percent asbestos as determined using the method specified in appendix E, subpart E, 40 CFR part 763, section 1, Polarized Light Microscopy.

*Category II nonfriable ACM* means any material, excluding Category I nonfriable ACM, containing more than 1 percent asbestos as determined using the methods specified in appendix E, subpart E, 40 CFR part 763, section 1, Polarized Light Microscopy that, when dry, cannot be crumbled, pulverized, or reduced to powder by hand pressure.

*Commercial asbestos* means any material containing asbestos that is extracted from ore and has value because of its asbestos content.

*Cutting* means to penetrate with a sharp-edged instrument and includes sawing, but does not include shearing, slicing, or punching.

*Demolition* means the wrecking or taking out of any load-supporting structural member of a facility together with any related handling operations or the intentional burning of any facility.

*Emergency renovation operation* means a renovation operation that was not planned but results from a sudden, unexpected event that, if not immediately attended to, presents a safety or public health hazard, is necessary to protect equipment from damage, or is necessary to avoid imposing an unreasonable financial burden. This term includes operations necessitated by non-routine failures of equipment.

*Fabricating* means any processing (e.g., cutting, sawing, drilling) of a manufactured product that contains commercial asbestos, with the exception of processing at temporary sites (field fabricating) for the construction or restoration of facilities. In the case of friction products, fabricating includes bonding, debonding, grinding, sawing, drilling, or other similar operations performed as part of fabricating.

*Facility* means any institutional, commercial, public, industrial, or residential structure, installation, or building (including any structure, installation, or building containing condominiums or individual dwelling units operated as a residential cooperative, but excluding residential buildings having four or fewer dwelling units); any ship; and any active or inactive waste disposal site. For purposes of this definition, any building, structure, or installation that contains a loft used as a dwelling is not considered a residential structure, installation, or building. Any structure, installation or building that was previously subject to this subpart is not excluded, regardless of its current use or function.

*Facility component* means any part of a facility including equipment.

*Friable asbestos material* means any material containing more than 1 percent asbestos as determined using the method specified in appendix E, subpart E, 40 CFR part 763, section 1, Polarized Light Microscopy, that, when dry, can be crumbled, pulverized, or reduced to powder by hand pressure. If the asbestos content is less than 10 percent as determined by a method other than point counting by polarized light microscopy (PLM), verify the asbestos content by point counting using PLM.

*Fugitive source* means any source of emissions not controlled by an air pollution control device.

*Glove bag* means a sealed compartment with attached inner gloves used for the handling of asbestos-containing materials. Properly installed and used, glove bags provide a small work area enclosure typically used for small-scale asbestos stripping operations. Information on glove-bag installation, equipment and supplies, and work practices is contained in the Occupational Safety and Health Administration's (OSHA's) final rule on occupational exposure to asbestos (appendix G to 29 CFR 1926.58).

*Grinding* means to reduce to powder or small fragments and includes mechanical chipping or drilling.

*In poor condition* means the binding of the material is losing its integrity as indicated by peeling, cracking, or crumbling of the material.

*Inactive waste disposal site* means any disposal site or portion of it where additional asbestos-containing waste material has not been deposited within the past year.

*Installation* means any building or structure or any group of buildings or structures at a single demolition or renovation site that are under the control of the same owner or operator (or owner or operator under common control).

*Leak-tight* means that solids or liquids cannot escape or spill out. It also means dust-tight.

*Malfunction* means any sudden and unavoidable failure of air pollution control equipment or process equipment or of a process to operate in a normal or usual manner so that emissions of asbestos are increased. Failures of equipment shall not be considered malfunctions if they are caused in any way by poor maintenance, careless operation, or any other preventable upset conditions, equipment breakdown, or process failure.

*Manufacturing* means the combining of commercial asbestos—or, in the case of woven friction products, the combining of textiles containing commercial asbestos—with any other material(s), including commercial asbestos, and the processing of this combination into a product. Chlorine production is considered a part of manufacturing.

*Natural barrier* means a natural object that effectively precludes or deters access. Natural barriers include phys-

ical obstacles such as cliffs, lakes or other large bodies of water, deep and wide ravines, and mountains. Remoteness by itself is not a natural barrier.

*Nonfriable asbestos-containing material* means any material containing more than 1 percent asbestos as determined using the method specified in appendix E, subpart E, 40 CFR part 763, section 1, Polarized Light Microscopy, that, when dry, cannot be crumbled, pulverized, or reduced to powder by hand pressure.

*Nonscheduled renovation operation* means a renovation operation necessitated by the routine failure of equipment, which is expected to occur within a given period based on past operating experience, but for which an exact date cannot be predicted.

*Outside air* means the air outside buildings and structures, including, but not limited to, the air under a bridge or in an open air ferry dock.

*Owner or operator of a demolition or renovation activity* means any person who owns, leases, operates, controls, or supervises the facility being demolished or renovated or any person who owns, leases, operates, controls, or supervises the demolition or renovation operation, or both.

*Particulate asbestos material* means finely divided particles of asbestos or material containing asbestos.

*Planned renovation operations* means a renovation operation, or a number of such operations, in which some RACM will be removed or stripped within a given period of time and that can be predicted. Individual nonscheduled operations are included if a number of such operations can be predicted to occur during a given period of time based on operating experience.

*Regulated asbestos-containing material (RACM)* means (a) Friable asbestos material, (b) Category I nonfriable ACM that has become friable, (c) Category I nonfriable ACM that will be or has been subjected to sanding, grinding, cutting, or abrading, or (d) Category II nonfriable ACM that has a high probability of becoming or has become crumbled, pulverized, or reduced to powder by the forces expected to act on the material in the course of demolition or renovation operations regulated by this subpart.

*Remove* means to take out RACM or facility components that contain or are covered with RACM from any facility.

*Renovation* means altering a facility or one or more facility components in any way, including the stripping or removal of RACM from a facility component. Operations in which load-supporting structural members are wrecked or taken out are demolitions.

*Resilient floor covering* means asbestos-containing floor tile, including asphalt and vinyl floor tile, and sheet vinyl floor covering containing more than 1 percent asbestos as determined using polarized light microscopy according to the method specified in appendix E, subpart E, 40 CFR part 763, section 1, Polarized Light Microscopy.

*Roadways* means surfaces on which vehicles travel. This term includes public and private highways, roads, streets, parking areas, and driveways.

*Strip* means to take off RACM from any part of a facility or facility components.

*Structural member* means any load-supporting member of a facility, such as beams and load supporting walls; or any nonload-supporting member, such as ceilings and nonload-supporting walls.

*Visible emissions* means any emissions, which are visually detectable without the aid of instruments, coming from RACM or asbestos-containing waste material, or from any asbestos milling, manufacturing, or fabricating operation. This does not include condensed, uncombined water vapor.

*Waste generator* means any owner or operator of a source covered by this subpart whose act or process produces asbestos-containing waste material.

*Waste shipment record* means the shipping document, required to be originated and signed by the waste generator, used to track and substantiate the disposition of asbestos-containing waste material.

*Working day* means Monday through Friday and includes holidays that fall on any of the days Monday through Friday.

[49 FR 13661, Apr. 5, 1984; 49 FR 25453, June 21, 1984, as amended by 55 FR 48414, Nov. 20, 1990; 56 FR 1669, Jan. 16, 1991; 60 FR 31920, June 19, 1995]

#### §61.142 Standard for asbestos mills.

(a) Each owner or operator of an asbestos mill shall either discharge no visible emissions to the outside air from that asbestos mill, including fugitive sources, or use the methods specified by §61.152 to clean emissions containing particulate asbestos material before they escape to, or are vented to, the outside air.

(b) Each owner or operator of an asbestos mill shall meet the following requirements:

(1) Monitor each potential source of asbestos emissions from any part of the mill facility, including air cleaning devices, process equipment, and buildings that house equipment for material processing and handling, at least once each day, during daylight hours, for visible emissions to the outside air during periods of operation. The monitoring shall be by visual observation of at least 15 seconds duration per source of emissions.

(2) Inspect each air cleaning device at least once each week for proper operation and for changes that signal the potential for malfunction, including, to the maximum extent possible without dismantling other than opening the device, the presence of tears, holes, and abrasions in filter bags and for dust deposits on the clean side of bags. For air cleaning devices that cannot be inspected on a weekly basis according to this paragraph, submit to the Administrator, and revise as necessary, a written maintenance plan to include, at a minimum, the following:

- (i) Maintenance schedule.
- (ii) Recordkeeping plan.

(3) Maintain records of the results of visible emissions monitoring and air cleaning device inspections using a format similar to that shown in Figures 1 and 2 and include the following:

- (i) Date and time of each inspection.
- (ii) Presence or absence of visible emissions.
- (iii) Condition of fabric filters, including presence of any tears, holes, and abrasions.
- (iv) Presence of dust deposits on clean side of fabric filters.
- (v) Brief description of corrective actions taken, including date and time.
- (vi) Daily hours of operation for each air cleaning device.

**Environmental Protection Agency**

**§ 61.142**

(4) Furnish upon request, and make available at the affected facility during normal business hours for inspection by the Administrator, all records required under this section.

(5) Retain a copy of all monitoring and inspection records for at least 2 years.

(6) Submit semiannually a copy of visible emission monitoring records to the Administrator if visible emissions occurred during the report period. Semiannual reports shall be post-marked by the 30th day following the end of the six-month period.

| Date of inspection<br>(mo/day/yr) | Time of inspection<br>(a.m./p.m.) | Air cleaning device or fugitive source designation or number | Visible emissions observed (yes/no), corrective action taken | Daily operating hours | Inspector's initials |
|-----------------------------------|-----------------------------------|--|--|-----------------------|----------------------|
|                                   |                                   |  |  |                       |                      |
|                                   |                                   |  |  |                       |                      |
|                                   |                                   |  |  |                       |                      |
|                                   |                                   |  |  |                       |                      |
|                                   |                                   |  |  |                       |                      |
|                                   |                                   |  |  |                       |                      |
|                                   |                                   |  |  |                       |                      |

Figure 1. Record of Visible Emission Monitoring

|     |   |         |             |        |       |
|-----|---|---------|-------------|--------|-------|
| 1.  | Air cleaning device designation or number                             | _____   | _____       | _____  | _____ |
| 2.  | Date of inspection  | _____   | _____       | _____  | _____ |
| 3.  | Time of inspection  | _____   | _____       | _____  | _____ |
| 4.  | Is air cleaning device operating properly (yes/no)                    | _____   | _____       | _____  | _____ |
| 5.  | Tears, holes, or abrasions in fabric filter (yes/no)                  | _____   | _____       | _____  | _____ |
| 6.  | Dust on clean side of fabric filters (yes/no)                         | _____   | _____       | _____  | _____ |
| 7.  | Other signs of malfunctions or potential malfunctions (yes/no)        | _____   | _____       | _____  | _____ |
| 8.  | Describe other malfunctions or signs of potential malfunctions. _____ |         |             |        |       |
|     | _____   |         |             |        |       |
|     | _____   |         |             |        |       |
| 9.  | Describe corrective action(s) taken. _____                            |         |             |        |       |
|     | _____   |         |             |        |       |
|     | _____   |         |             |        |       |
| 10. | Date and time corrective action taken                                 | _____   | _____       | _____  | _____ |
| 11. | Inspected by  |         |             |        |       |
|     | _____   | _____   | _____       | _____  | _____ |
|     | (Print/Type Name)   | (Title) | (Signature) | (Date) |       |
|     | _____   | _____   | _____       | _____  | _____ |
|     | (Print/Type Name)   | (Title) | (Signature) | (Date) |       |

Figure 2. Air Cleaning Device Inspection Checklist

[55 FR 48416, Nov. 20, 1990, as amended at 64 FR 7467, Feb. 12, 1999]

**§61.143 Standard for roadways.**

No person may construct or maintain a roadway with asbestos tailings or asbestos-containing waste material on

that roadway, unless, for asbestos tailings.



(a) It is a temporary roadway on an area of asbestos ore deposits (asbestos mine): or

(b) It is a temporary roadway at an active asbestos mill site and is encapsulated with a resinous or bituminous binder. The encapsulated road surface must be maintained at a minimum frequency of once per year to prevent dust emissions; or

(c) It is encapsulated in asphalt concrete meeting the specifications contained in section 401 of Standard Specifications for Construction of Roads and Bridges on Federal Highway Projects, FP-85, 1985, or their equivalent.

[55 FR 48419, Nov. 20, 1990; 56 FR 1669, Jan. 16, 1991]

**§ 61.144 Standard for manufacturing.**

(a) *Applicability.* This section applies to the following manufacturing operations using commercial asbestos.

(1) The manufacture of cloth, cord, wicks, tubing, tape, twine, rope, thread, yarn, roving, lap, or other textile materials.

(2) The manufacture of cement products.

(3) The manufacture of fireproofing and insulating materials.

(4) The manufacture of friction products.

(5) The manufacture of paper, millboard, and felt.

(6) The manufacture of floor tile.

(7) The manufacture of paints, coatings, caulks, adhesives, and sealants.

(8) The manufacture of plastics and rubber materials.

(9) The manufacture of chlorine utilizing asbestos diaphragm technology.

(10) The manufacture of shotgun shell wads.

(11) The manufacture of asphalt concrete.

(b) *Standard.* Each owner or operator of any of the manufacturing operations to which this section applies shall either:

(1) Discharge no visible emissions to the outside air from these operations or from any building or structure in which they are conducted or from any other fugitive sources; or

(2) Use the methods specified by § 61.152 to clean emissions from these operations containing particulate as-

bestos material before they escape to, or are vented to, the outside air.

(3) Monitor each potential source of asbestos emissions from any part of the manufacturing facility, including air cleaning devices, process equipment, and buildings housing material processing and handling equipment, at least once each day during daylight hours for visible emissions to the outside air during periods of operation. The monitoring shall be by visual observation of at least 15 seconds duration per source of emissions.

(4) Inspect each air cleaning device at least once each week for proper operation and for changes that signal the potential for malfunctions, including, to the maximum extent possible without dismantling other than opening the device, the presence of tears, holes, and abrasions in filter bags and for dust deposits on the clean side of bags. For air cleaning devices that cannot be inspected on a weekly basis according to this paragraph, submit to the Administrator, and revise as necessary, a written maintenance plan to include, at a minimum, the following:

(i) Maintenance schedule.

(ii) Recordkeeping plan.

(5) Maintain records of the results of visible emission monitoring and air cleaning device inspections using a format similar to that shown in Figures 1 and 2 and include the following.

(i) Date and time of each inspection.

(ii) Presence or absence of visible emissions.

(iii) Condition of fabric filters, including presence of any tears, holes and abrasions.

(iv) Presence of dust deposits on clean side of fabric filters.

(v) Brief description of corrective actions taken, including date and time.

(vi) Daily hours of operation for each air cleaning device.

(6) Furnish upon request, and make available at the affected facility during normal business hours for inspection by the Administrator, all records required under this section.

(7) Retain a copy of all monitoring and inspection records for at least 2 years.

(8) Submit semiannually a copy of the visible emission monitoring records to the Administrator if visible

**§ 61.145**

**40 CFR Ch. I (7-1-00 Edition)**

emission occurred during the report period. Semiannual reports shall be post-marked by the 30th day following the end of the six-month period.

[49 FR 13661, Apr. 5, 1984, as amended at 55 FR 48419, Nov. 20, 1990; 56 FR 1669, Jan. 16, 1991; 64 FR 7467, Feb. 12, 1999]

**§ 61.145 Standard for demolition and renovation.**

(a) *Applicability.* To determine which requirements of paragraphs (a), (b), and (c) of this section apply to the owner or operator of a demolition or renovation activity and prior to the commencement of the demolition or renovation, thoroughly inspect the affected facility or part of the facility where the demolition or renovation operation will occur for the presence of asbestos, including Category I and Category II nonfriable ACM. The requirements of paragraphs (b) and (c) of this section apply to each owner or operator of a demolition or renovation activity, including the removal of RACM as follows:

(1) In a facility being demolished, all the requirements of paragraphs (b) and (c) of this section apply, except as provided in paragraph (a)(3) of this section, if the combined amount of RACM is

(i) At least 80 linear meters (260 linear feet) on pipes or at least 15 square meters (160 square feet) on other facility components, or

(ii) At least 1 cubic meter (35 cubic feet) off facility components where the length or area could not be measured previously.

(2) In a facility being demolished, only the notification requirements of paragraphs (b)(1), (2), (3)(i) and (iv), and (4)(i) through (vii) and (4)(ix) and (xvi) of this section apply, if the combined amount of RACM is

(i) Less than 80 linear meters (260 linear feet) on pipes and less than 15 square meters (160 square feet) on other facility components, and

(ii) Less than one cubic meter (35 cubic feet) off facility components where the length or area could not be measured previously or there is no asbestos.

(3) If the facility is being demolished under an order of a State or local government agency, issued because the fa-

cility is structurally unsound and in danger of imminent collapse, only the requirements of paragraphs (b)(1), (b)(2), (b)(3)(iii), (b)(4) (except (b)(4)(viii)), (b)(5), and (c)(4) through (c)(9) of this section apply.

(4) In a facility being renovated, including any individual nonscheduled renovation operation, all the requirements of paragraphs (b) and (c) of this section apply if the combined amount of RACM to be stripped, removed, dislodged, cut, drilled, or similarly disturbed is

(i) At least 80 linear meters (260 linear feet) on pipes or at least 15 square meters (160 square feet) on other facility components, or

(ii) At least 1 cubic meter (35 cubic feet) off facility components where the length or area could not be measured previously.

(iii) To determine whether paragraph (a)(4) of this section applies to planned renovation operations involving individual nonscheduled operations, predict the combined additive amount of RACM to be removed or stripped during a calendar year of January 1 through December 31.

(iv) To determine whether paragraph (a)(4) of this section applies to emergency renovation operations, estimate the combined amount of RACM to be removed or stripped as a result of the sudden, unexpected event that necessitated the renovation.

(5) Owners or operators of demolition and renovation operations are exempt from the requirements of §§ 61.05(a), 61.07, and 61.09.

(b) *Notification requirements.* Each owner or operator of a demolition or renovation activity to which this section applies shall:

(1) Provide the Administrator with written notice of intention to demolish or renovate. Delivery of the notice by U.S. Postal Service, commercial delivery service, or hand delivery is acceptable.

(2) Update notice, as necessary, including when the amount of asbestos affected changes by at least 20 percent.

(3) Postmark or deliver the notice as follows:

(i) At least 10 working days before asbestos stripping or removal work or any other activity begins (such as site

## Environmental Protection Agency

## § 61.145

preparation that would break up, dislodge or similarly disturb asbestos material), if the operation is described in paragraphs (a) (1) and (4) (except (a)(4)(iii) and (a)(4)(iv)) of this section. If the operation is as described in paragraph (a)(2) of this section, notification is required 10 working days before demolition begins.

(ii) At least 10 working days before the end of the calendar year preceding the year for which notice is being given for renovations described in paragraph (a)(4)(iii) of this section.

(iii) As early as possible before, but not later than, the following working day if the operation is a demolition ordered according to paragraph (a)(3) of this section or, if the operation is a renovation described in paragraph (a)(4)(iv) of this section.

(iv) For asbestos stripping or removal work in a demolition or renovation operation, described in paragraphs (a) (1) and (4) (except (a)(4)(iii) and (a)(4)(iv)) of this section, and for a demolition described in paragraph (a)(2) of this section, that will begin on a date other than the one contained in the original notice, notice of the new start date must be provided to the Administrator as follows:

(A) When the asbestos stripping or removal operation or demolition operation covered by this paragraph will begin after the date contained in the notice,

(1) Notify the Administrator of the new start date by telephone as soon as possible before the original start date, and

(2) Provide the Administrator with a written notice of the new start date as soon as possible before, and no later than, the original start date. Delivery of the updated notice by the U.S. Postal Service, commercial delivery service, or hand delivery is acceptable.

(B) When the asbestos stripping or removal operation or demolition operation covered by this paragraph will begin on a date earlier than the original start date,

(1) Provide the Administrator with a written notice of the new start date at least 10 working days before asbestos stripping or removal work begins.

(2) For demolitions covered by paragraph (a)(2) of this section, provide the

Administrator written notice of a new start date at least 10 working days before commencement of demolition. Delivery of updated notice by U.S. Postal Service, commercial delivery service, or hand delivery is acceptable.

(C) In no event shall an operation covered by this paragraph begin on a date other than the date contained in the written notice of the new start date.

(4) Include the following in the notice:

(i) An indication of whether the notice is the original or a revised notification.

(ii) Name, address, and telephone number of both the facility owner and operator and the asbestos removal contractor owner or operator.

(iii) Type of operation: demolition or renovation.

(iv) Description of the facility or affected part of the facility including the size (square meters [square feet] and number of floors), age, and present and prior use of the facility.

(v) Procedure, including analytical methods, employed to detect the presence of RACM and Category I and Category II nonfriable ACM.

(vi) Estimate of the approximate amount of RACM to be removed from the facility in terms of length of pipe in linear meters (linear feet), surface area in square meters (square feet) on other facility components, or volume in cubic meters (cubic feet) if off the facility components. Also, estimate the approximate amount of Category I and Category II nonfriable ACM in the affected part of the facility that will not be removed before demolition.

(vii) Location and street address (including building number or name and floor or room number, if appropriate), city, county, and state, of the facility being demolished or renovated.

(viii) Scheduled starting and completion dates of asbestos removal work (or any other activity, such as site preparation that would break up, dislodge, or similarly disturb asbestos material) in a demolition or renovation; planned renovation operations involving individual nonscheduled operations shall only include the beginning and ending dates of the report period as described in paragraph (a)(4)(iii) of this section.

(ix) Scheduled starting and completion dates of demolition or renovation.

(x) Description of planned demolition or renovation work to be performed and method(s) to be employed, including demolition or renovation techniques to be used and description of affected facility components.

(xi) Description of work practices and engineering controls to be used to comply with the requirements of this subpart, including asbestos removal and waste-handling emission control procedures.

(xii) Name and location of the waste disposal site where the asbestos-containing waste material will be deposited.

(xiii) A certification that at least one person trained as required by paragraph (c)(8) of this section will supervise the stripping and removal described by this notification. This requirement shall become effective 1 year after promulgation of this regulation.

(xiv) For facilities described in paragraph (a)(3) of this section, the name, title, and authority of the State or local government representative who has ordered the demolition, the date that the order was issued, and the date on which the demolition was ordered to begin. A copy of the order shall be attached to the notification.

(xv) For emergency renovations described in paragraph (a)(4)(iv) of this section, the date and hour that the emergency occurred, a description of the sudden, unexpected event, and an explanation of how the event caused an unsafe condition, or would cause equipment damage or an unreasonable financial burden.

(xvi) Description of procedures to be followed in the event that unexpected RACM is found or Category II nonfriable ACM becomes crumbled, pulverized, or reduced to powder.

(xvii) Name, address, and telephone number of the waste transporter.

(5) The information required in paragraph (b)(4) of this section must be reported using a form similar to that shown in Figure 3.

(c) *Procedures for asbestos emission control.* Each owner or operator of a demolition or renovation activity to whom this paragraph applies, accord-

ing to paragraph (a) of this section, shall comply with the following procedures:

(1) Remove all RACM from a facility being demolished or renovated before any activity begins that would break up, dislodge, or similarly disturb the material or preclude access to the material for subsequent removal. RACM need not be removed before demolition if:

(i) It is Category I nonfriable ACM that is not in poor condition and is not friable.

(ii) It is on a facility component that is encased in concrete or other similarly hard material and is adequately wet whenever exposed during demolition; or

(iii) It was not accessible for testing and was, therefore, not discovered until after demolition began and, as a result of the demolition, the material cannot be safely removed. If not removed for safety reasons, the exposed RACM and any asbestos-contaminated debris must be treated as asbestos-containing waste material and adequately wet at all times until disposed of.

(iv) They are Category II nonfriable ACM and the probability is low that the materials will become crumbled, pulverized, or reduced to powder during demolition.

(2) When a facility component that contains, is covered with, or is coated with RACM is being taken out of the facility as a unit or in sections:

(i) Adequately wet all RACM exposed during cutting or disjoining operations; and

(ii) Carefully lower each unit or section to the floor and to ground level, not dropping, throwing, sliding, or otherwise damaging or disturbing the RACM.

(3) When RACM is stripped from a facility component while it remains in place in the facility, adequately wet the RACM during the stripping operation.

(i) In renovation operations, wetting is not required if:

(A) The owner or operator has obtained prior written approval from the Administrator based on a written application that wetting to comply with

## Environmental Protection Agency

## § 61.145

this paragraph would unavoidably damage equipment or present a safety hazard; and

(B) The owner or operator uses of the following emission control methods:

(1) A local exhaust ventilation and collection system designed and operated to capture the particulate asbestos material produced by the stripping and removal of the asbestos materials. The system must exhibit no visible emissions to the outside air or be designed and operated in accordance with the requirements in § 61.152.

(2) A glove-bag system designed and operated to contain the particulate asbestos material produced by the stripping of the asbestos materials.

(3) Leak-tight wrapping to contain all RACM prior to dismantlement.

(ii) In renovation operations where wetting would result in equipment damage or a safety hazard, and the methods allowed in paragraph (c)(3)(i) of this section cannot be used, another method may be used after obtaining written approval from the Administrator based upon a determination that it is equivalent to wetting in controlling emissions or to the methods allowed in paragraph (c)(3)(i) of this section.

(iii) A copy of the Administrator's written approval shall be kept at the worksite and made available for inspection.

(4) After a facility component covered with, coated with, or containing RACM has been taken out of the facility as a unit or in sections pursuant to paragraph (c)(2) of this section, it shall be stripped or contained in leak-tight wrapping, except as described in paragraph (c)(5) of this section. If stripped, either:

(i) Adequately wet the RACM during stripping; or

(ii) Use a local exhaust ventilation and collection system designed and operated to capture the particulate asbestos material produced by the stripping. The system must exhibit no visible emissions to the outside air or be designed and operated in accordance with the requirements in § 61.152.

(5) For large facility components such as reactor vessels, large tanks, and steam generators, but not beams (which must be handled in accordance

with paragraphs (c)(2), (3), and (4) of this section), the RACM is not required to be stripped if the following requirements are met:

(i) The component is removed, transported, stored, disposed of, or reused without disturbing or damaging the RACM.

(ii) The component is encased in a leak-tight wrapping.

(iii) The leak-tight wrapping is labeled according to § 61.149(d)(1)(i), (ii), and (iii) during all loading and unloading operations and during storage.

(6) For all RACM, including material that has been removed or stripped:

(i) Adequately wet the material and ensure that it remains wet until collected and contained or treated in preparation for disposal in accordance with § 61.150; and

(ii) Carefully lower the material to the ground and floor, not dropping, throwing, sliding, or otherwise damaging or disturbing the material.

(iii) Transport the material to the ground via leak-tight chutes or containers if it has been removed or stripped more than 50 feet above ground level and was not removed as units or in sections.

(iv) RACM contained in leak-tight wrapping that has been removed in accordance with paragraphs (c)(4) and (c)(3)(i)(B)(3) of this section need not be wetted.

(7) When the temperature at the point of wetting is below 0 °C (32 °F):

(i) The owner or operator need not comply with paragraph (c)(2)(i) and the wetting provisions of paragraph (c)(3) of this section.

(ii) The owner or operator shall remove facility components containing, coated with, or covered with RACM as units or in sections to the maximum extent possible.

(iii) During periods when wetting operations are suspended due to freezing temperatures, the owner or operator must record the temperature in the area containing the facility components at the beginning, middle, and end of each workday and keep daily temperature records available for inspection by the Administrator during normal business hours at the demolition

**§ 61.145**

**40 CFR Ch. I (7-1-00 Edition)**

or renovation site. The owner or operator shall retain the temperature records for at least 2 years.

(8) Effective 1 year after promulgation of this regulation, no RACM shall be stripped, removed, or otherwise handled or disturbed at a facility regulated by this section unless at least one on-site representative, such as a foreman or management-level person or other authorized representative, trained in the provisions of this regulation and the means of complying with them, is present. Every 2 years, the trained on-site individual shall receive refresher training in the provisions of this regulation. The required training shall include as a minimum: applicability; notifications; material identification; control procedures for removals including, at least, wetting, local exhaust

ventilation, negative pressure enclosures, glove-bag procedures, and High Efficiency Particulate Air (HEPA) filters; waste disposal work practices; reporting and recordkeeping; and asbestos hazards and worker protection. Evidence that the required training has been completed shall be posted and made available for inspection by the Administrator at the demolition or renovation site.

(9) For facilities described in paragraph (a)(3) of this section, adequately wet the portion of the facility that contains RACM during the wrecking operation.

(10) If a facility is demolished by intentional burning, all RACM including Category I and Category II nonfriable ACM must be removed in accordance with the NESHAP before burning.

NOTIFICATION OF DEMOLITION AND RENOVATION

|   |                    |  |                |                                    |       |
|---|--------------------|--|----------------|------------------------------------|-------|
| Operator Project #  | Postmark           | Date Received                                  | Notification # |                                    |       |
| I. TYPE OF NOTIFICATION ( O=Original R=Revised C=Cancelled ):   |                    |  |                |                                    |       |
| II. FACILITY INFORMATION ( Identify owner, removal contractor, and other operator )                           |                    |  |                |                                    |       |
| OWNER NAME:   |                    |  |                |                                    |       |
| Address:  |                    |  |                |                                    |       |
| City:   | State:             | Zip:   |                |                                    |       |
| Contact:  | Tel:               |  |                |                                    |       |
| REMOVAL CONTRACTOR:   |                    |  |                |                                    |       |
| Address:  |                    |  |                |                                    |       |
| City:   | State:             | Zip:   |                |                                    |       |
| Contact:  | Tel:               |  |                |                                    |       |
| OTHER OPERATOR:   |                    |  |                |                                    |       |
| Address:  |                    |  |                |                                    |       |
| City:   | State:             | Zip:   |                |                                    |       |
| Contact:  | Tel:               |  |                |                                    |       |
| III. TYPE OF OPERATION ( D=Demo O=Ordered Demo R=Renovation E=Emer.Renovation ):                              |                    |  |                |                                    |       |
| IV. IS ASBESTOS PRESENT? ( Yes/No )   |                    |  |                |                                    |       |
| V. FACILITY DESCRIPTION ( Include building name, number and floor or room number )                            |                    |  |                |                                    |       |
| Bldg Name:  |                    |  |                |                                    |       |
| Address:  |                    |  |                |                                    |       |
| City:   | State:             | County:  |                |                                    |       |
| Site Location:  |                    |  |                |                                    |       |
| Building Size:  | # of Floors:       | Age in Years:                                  |                |                                    |       |
| Present Use:  | Prior Use:         |  |                |                                    |       |
| VI. PROCEDURE, INCLUDING ANALYTICAL METHOD, IF APPROPRIATE, USED TO DETECT THE PRESENCE OF ASBESTOS MATERIAL: |                    |  |                |                                    |       |
| VII. APPROXIMATE AMOUNT OF ASBESTOS, INCLUDING:   |                    |  |                |                                    |       |
| 1. Regulated ACM to be removed  | RACH To Be Removed | Nonfriable Asbestos Material Not To Be Removed |                | Indicate Unit of Measurement Below |       |
| 2. Category I ACM Not Removed   |                    | Cat I  | Cat II         | UNIT                               |       |
| 3. Category II ACM Not Removed  |                    |  |                | Ln Ft:                             | Ln m: |
| Pipes   |                    |  |                | Sq Ft:                             | Sq m: |
| Surface Area  |                    |  |                | Cu Ft:                             | Cu m: |
| Vol RACH Off Facility Component   |                    |  |                |                                    |       |
| VIII. SCHEDULED DATES ASBESTOS REMOVAL (MM/DD/YY) Starts:   |                    |  |                | Complete:                          |       |
| IX. SCHEDULED DATES DEMO/RENOVATION (MM/DD/YY) Starts:  |                    |  |                | Complete:                          |       |

Continued on page two

Figure 3. Notification of Demolition and Renovation

NOTIFICATION OF DEMOLITION AND RENOVATION (continued)

|   |        |                                   |
|---|--------|-----------------------------------|
| X. DESCRIPTION OF PLANNED DEMOLITION OR RENOVATION WORK, AND METHOD(S) TO BE USED:  |        |                                   |
| XI. DESCRIPTION OF WORK PRACTICES AND ENGINEERING CONTROLS TO BE USED TO PREVENT EMISSIONS OF ASBESTOS AT THE DEMOLITION AND RENOVATION SITE:   |        |                                   |
| XII. WASTE TRANSPORTER #1   |        |                                   |
| Name:   |        |                                   |
| Address:  |        |                                   |
| City:   | State: | Zip:                              |
| Contact Person:   |        | Telephone:                        |
| WASTE TRANSPORTER #2  |        |                                   |
| Name:   |        |                                   |
| Address:  |        |                                   |
| City:   | State: | Zip:                              |
| Contact Person:   |        | Telephone:                        |
| XIII. WASTE DISPOSAL SITE   |        |                                   |
| Name:   |        |                                   |
| Location:   |        |                                   |
| City:   | State: | Zip:                              |
| Telephone:  |        |                                   |
| XIV. IF DEMOLITION ORDERED BY A GOVERNMENT AGENCY, PLEASE IDENTIFY THE AGENCY BELOW:  |        |                                   |
| Name:   |        | Title:                            |
| Authority:  |        |                                   |
| Date of Order (MM/DD/YY):   |        | Date Ordered to Begin (MM/DD/YY): |
| XV. FOR EMERGENCY RENOVATIONS   |        |                                   |
| Date and Hour of Emergency (MM/DD/YY):  |        |                                   |
| Description of the Sudden, Unexpected Event:  |        |                                   |
| Explanation of how the event caused unsafe conditions or would cause equipment damage or an unreasonable financial burden:  |        |                                   |
| XVI. DESCRIPTION OF PROCEDURES TO BE FOLLOWED IN THE EVENT THAT UNEXPECTED ASBESTOS IS FOUND OR PREVIOUSLY NONFRIABLE ASBESTOS MATERIAL BECOMES CRUMBLLED, PULVERIZED, OR REDUCED TO POWDER.  |        |                                   |
| XVI. I CERTIFY THAT AN INDIVIDUAL TRAINED IN THE PROVISIONS OF THIS REGULATION (40 CFR PART §1, SUBPART M) WILL BE ON-SITE DURING THE DEMOLITION OR RENOVATION AND EVIDENCE THAT THE REQUIRED TRAINING HAS BEEN ACCOMPLISHED BY THIS PERSON WILL BE AVAILABLE FOR INSPECTION DURING NORMAL BUSINESS HOURS. (Required 1 year after promulgation) |        |                                   |
| _____<br>(Signature of Owner/Operator)  |        | _____<br>(Date)                   |
| XVII. I CERTIFY THAT THE ABOVE INFORMATION IS CORRECT.  |        |                                   |
| _____<br>(Signature of Owner/Operator)  |        | _____<br>(Date)                   |

Figure 3. Notification of Demolition and Renovation

[55 FR 48419, Nov. 20, 1990; 56 FR 1669, Jan. 16, 1991]

**§61.146 Standard for spraying.**

The owner or operator of an operation in which asbestos-containing ma-

terials are spray applied shall comply with the following requirements:

- (a) For spray-on application on buildings, structures, pipes, and conduits, do



not use material containing more than 1 percent asbestos as determined using the method specified in appendix E, subpart E, 40 CFR part 763, section 1, Polarized Light Microscopy, except as provided in paragraph (c) of this section.

(b) For spray-on application of materials that contain more than 1 percent asbestos as determined using the method specified in appendix E, subpart E, 40 CFR part 763, section 1, Polarized Light Microscopy, on equipment and machinery, except as provided in paragraph (c) of this section:

(1) Notify the Administrator at least 20 days before beginning the spraying operation. Include the following information in the notice:

(i) Name and address of owner or operator.

(ii) Location of spraying operation.

(iii) Procedures to be followed to meet the requirements of this paragraph.

(2) Discharge no visible emissions to the outside air from spray-on application of the asbestos-containing material or use the methods specified by § 61.152 to clean emissions containing particulate asbestos material before they escape to, or are vented to, the outside air.

(c) The requirements of paragraphs (a) and (b) of this section do not apply to the spray-on application of materials where the asbestos fibers in the materials are encapsulated with a bituminous or resinous binder during spraying and the materials are not friable after drying.

(d) Owners or operators of sources subject to this paragraph are exempt from the requirements of §§ 61.05(a), 61.07 and 61.09.

[49 FR 13661, Apr. 5, 1984. Redesignated and amended at 55 FR 48424, Nov. 20, 1990; 60 FR 31920, June 19, 1995]

#### § 61.147 Standard for fabricating.

(a) *Applicability.* This section applies to the following fabricating operations using commercial asbestos:

(1) The fabrication of cement building products.

(2) The fabrication of friction products, except those operations that primarily install asbestos friction materials on motor vehicles.

(3) The fabrication of cement or silicate board for ventilation hoods; ovens; electrical panels; laboratory furniture, bulkheads, partitions, and ceilings for marine construction; and flow control devices for the molten metal industry.

(b) *Standard.* Each owner or operator of any of the fabricating operations to which this section applies shall either:

(1) Discharge no visible emissions to the outside air from any of the operations or from any building or structure in which they are conducted or from any other fugitive sources; or

(2) Use the methods specified by § 61.152 to clean emissions containing particulate asbestos material before they escape to, or are vented to, the outside air.

(3) Monitor each potential source of asbestos emissions from any part of the fabricating facility, including air cleaning devices, process equipment, and buildings that house equipment for material processing and handling, at least once each day, during daylight hours, for visible emissions to the outside air during periods of operation. The monitoring shall be by visual observation of at least 15 seconds duration per source of emissions.

(4) Inspect each air cleaning device at least once each week for proper operation and for changes that signal the potential for malfunctions, including, to the maximum extent possible without dismantling other than opening the device, the presence of tears, holes, and abrasions in filter bags and for dust deposits on the clean side of bags. For air cleaning devices that cannot be inspected on a weekly basis according to this paragraph, submit to the Administrator, and revise as necessary, a written maintenance plan to include, at a minimum, the following:

(i) Maintenance schedule.

(ii) Recordkeeping plan.

(5) Maintain records of the results of visible emission monitoring and air cleaning device inspections using a format similar to that shown in Figures 1 and 2 and include the following:

(i) Date and time of each inspection.

(ii) Presence or absence of visible emissions.

(iii) Condition of fabric filters, including presence of any tears, holes, and abrasions.

**§ 61.148**

(iv) Presence of dust deposits on clean side of fabric filters.

(v) Brief description of corrective actions taken, including date and time.

(vi) Daily hours of operation for each air cleaning device.

(6) Furnish upon request and make available at the affected facility during normal business hours for inspection by the Administrator, all records required under this section.

(7) Retain a copy of all monitoring and inspection records for at least 2 years.

(8) Submit semiannually a copy of the visible emission monitoring records to the Administrator if visible emission occurred during the report period. Semiannual reports shall be post-marked by the 30th day following the end of the six-month period.

[49 FR 13661, Apr. 5, 1984. Redesignated and amended at 55 FR 48424, Nov. 20, 1991; 64 FR 7467, Feb. 12, 1999]

**§ 61.148 Standard for insulating materials.**

No owner or operator of a facility may install or reinstall on a facility component any insulating materials that contain commercial asbestos if the materials are either molded and friable or wet-applied and friable after drying. The provisions of this section do not apply to spray-applied insulating materials regulated under § 61.146.

[55 FR 48424, Nov. 20, 1990]

**§ 61.149 Standard for waste disposal for asbestos mills.**

Each owner or operator of any source covered under the provisions of § 61.142 shall:

(a) Deposit all asbestos-containing waste material at a waste disposal site operated in accordance with the provisions of § 61.154; and

(b) Discharge no visible emissions to the outside air from the transfer of control device asbestos waste to the tailings conveyor, or use the methods specified by § 61.152 to clean emissions containing particulate asbestos material before they escape to, or are vented to, the outside air. Dispose of the asbestos waste from control devices in accordance with § 61.150(a) or paragraph (c) of this section; and

(c) Discharge no visible emissions to the outside air during the collection, processing, packaging, or on-site transporting of any asbestos-containing waste material, or use one of the disposal methods specified in paragraphs (c) (1) or (2) of this section, as follows:

(1) Use a wetting agent as follows:

(i) Adequately mix all asbestos-containing waste material with a wetting agent recommended by the manufacturer of the agent to effectively wet dust and tailings, before depositing the material at a waste disposal site. Use the agent as recommended for the particular dust by the manufacturer of the agent.

(ii) Discharge no visible emissions to the outside air from the wetting operation or use the methods specified by § 61.152 to clean emissions containing particulate asbestos material before they escape to, or are vented to, the outside air.

(iii) Wetting may be suspended when the ambient temperature at the waste disposal site is less than  $-9.5^{\circ}\text{C}$  ( $15^{\circ}\text{F}$ ), as determined by an appropriate measurement method with an accuracy of  $\pm 1^{\circ}\text{C}$  ( $\pm 2^{\circ}\text{F}$ ). During periods when wetting operations are suspended, the temperature must be recorded at least at hourly intervals, and records must be retained for at least 2 years in a form suitable for inspection.

(2) Use an alternative emission control and waste treatment method that has received prior written approval by the Administrator. To obtain approval for an alternative method, a written application must be submitted to the Administrator demonstrating that the following criteria are met:

(i) The alternative method will control asbestos emissions equivalent to currently required methods.

(ii) The suitability of the alternative method for the intended application.

(iii) The alternative method will not violate other regulations.

(iv) The alternative method will not result in increased water pollution, land pollution, or occupational hazards.

(d) When waste is transported by vehicle to a disposal site:

(1) Mark vehicles used to transport asbestos-containing waste material during the loading and unloading of the

## Environmental Protection Agency

§ 61.149

waste so that the signs are visible. The markings must:

(i) Be displayed in such a manner and location that a person can easily read the legend.

(ii) Conform to the requirements for 51 cm × 36 cm (20 in × 14 in) upright format signs specified in 29 CFR 1910.145(d)(4) and this paragraph; and

(iii) Display the following legend in the lower panel with letter sizes and styles of a visibility at least equal to those specified in this paragraph.

Legend  
DANGER  
ASBESTOS DUST HAZARD  
CANCER AND LUNG DISEASE HAZARD  
Authorized Personnel Only  
Notation  
2.5 cm (1 inch) Sans Serif, Gothic or Block  
2.5 cm (1 inch) Sans Serif, Gothic or Block  
1.9 cm (¾ inch) Sans Serif, Gothic or Block  
14 Point Gothic

Spacing between any two lines must be at least equal to the height of the upper of the two lines.

(2) For off-site disposal, provide a copy of the waste shipment record, described in paragraph (e)(1) of this section, to the disposal site owner or operator at the same time as the asbestos-containing waste material is delivered to the disposal site.

(e) For all asbestos-containing waste material transported off the facility site:

(1) Maintain asbestos waste shipment records, using a form similar to that shown in Figure 4, and include the following information:

(i) The name, address, and telephone number of the waste generator.

(ii) The name and address of the local, State, or EPA Regional agency responsible for administering the asbestos NESHAP program.

(iii) The quantity of the asbestos-containing waste material in cubic meters (cubic yards).

(iv) The name and telephone number of the disposal site operator.

(v) The name and physical site location of the disposal site.

(vi) The date transported.

(vii) The name, address, and telephone number of the transporter(s).

(viii) A certification that the contents of this consignment are fully and accurately described by proper shipping name and are classified, packed, marked, and labeled, and are in all respects in proper condition for transport by highway according to applicable international and government regulations.

(2) For waste shipments where a copy of the waste shipment record, signed by the owner or operator of the designated disposal site, is not received by the waste generator within 35 days of the date the waste was accepted by the initial transporter, contact the transporter and/or the owner or operator of the designated disposal site to determine the status of the waste shipment.

(3) Report in writing to the local, State, or EPA Regional office responsible for administering the asbestos NESHAP program for the waste generator if a copy of the waste shipment record, signed by the owner or operator of the designated waste disposal site, is not received by the waste generator within 45 days of the date the waste was accepted by the initial transporter. Include in the report the following information:

(i) A copy of the waste shipment record for which a confirmation of delivery was not received, and

(ii) A cover letter signed by the waste generator explaining the efforts taken to locate the asbestos waste shipment and the results of those efforts.

(4) Retain a copy of all waste shipment records, including a copy of the waste shipment record signed by the owner or operator of the designated waste disposal site, for at least 2 years.

(f) Furnish upon request, and make available for inspection by the Administrator, all records required under this section.

|  |  |  |                        |   |
|--|--|--|------------------------|---|
| Generator  | 1. Work site name and mailing address  |  | Owner's name           | Owner's telephone no.                               |
|  | 2. Operator's name and address   |  |                        | Operator's telephone no.                            |
|  | 3. Waste disposal site (WDS) name, mailing address, and physical site location   |  |                        | WDS phone no.                                       |
|  | 4. Name, and address of responsible agency   |  |                        |   |
|  | 5. Description of materials  |  | 6. Containers No. Type | 7. Total quantity m <sup>3</sup> (yd <sup>3</sup> ) |
|  | 8. Special handling instructions and additional information  |  |                        |   |
|  | 9. OPERATOR'S CERTIFICATION: I hereby declare that the contents of this consignment are fully and accurately described above by proper shipping name and are classified, packed, marked, and labeled, and are in all respects in proper condition for transport by highway according to applicable international and government regulations. |  |                        |   |
|  | Printed/typed name & title   |  | Signature              | Month Day Year                                      |
|  | Transporter  | 10. Transporter 1 (Acknowledgment of receipt of materials) |                        |   |
| Printed/typed name & title                                 |  | Signature  | Month Day Year         |   |
| Address and telephone no.                                  |  |  |                        |   |
| 11. Transporter 2 (Acknowledgment of receipt of materials) |  |  |                        |   |
| Disposal Site  | 12. Discrepancy indication space   |  |                        |   |
|  | 13. Waste disposal site owner or operator: Certification of receipt of asbestos materials covered by this manifest except as noted in item 12.   |  |                        |   |
|  | Printed/typed name & title   |  | Signature              | Month Day Year                                      |

(Continued)

Figure 4. Waste Shipment Record

| INSTRUCTIONS   |   |
|--|---|
| <u>Waste Generator Section</u> (Items 1-9)                 |   |
| 1.   | Enter the name of the facility at which asbestos waste is generated and the address where the facility is located. In the appropriate spaces, also enter the name of the owner of the facility and the owner's phone number.  |
| 2.   | If a demolition or renovation, enter the name and address of the company and authorized agent responsible for performing the asbestos removal. In the appropriate spaces, also enter the phone number of the operator.  |
| 3.   | Enter the name, address, and physical site location of the waste disposal site (WDS) that will be receiving the asbestos materials. In the appropriate spaces, also enter the phone number of the WDS. Enter "on-site" if the waste will be disposed of on the generator's property.  |
| 4.   | Provide the name and address of the local, State, or EPA Regional office responsible for administering the asbestos NESHAP program.   |
| 5.   | Indicate the types of asbestos waste materials generated. If from a demolition or renovation, indicate the amount of asbestos that is <ul style="list-style-type: none"><li>- Friable asbestos material</li><li>- Nonfriable asbestos material</li></ul>  |
| 6.   | Enter the number of containers used to transport the asbestos materials listed in item 5. Also enter one of the following container codes used in transporting each type of asbestos material (specify any other type of container used if not listed below): <ul style="list-style-type: none"><li>DM - Metal drums, barrels</li><li>DP - Plastic drums, barrels</li><li>BA - 6 mil plastic bags or wrapping</li></ul> |
| 7.   | Enter the quantities of each type of asbestos material removed in units of cubic meters (cubic yards).  |
| 8.   | Use this space to indicate special transportation, treatment, storage or disposal or Bill of Lading information. If an alternate waste disposal site is designated, note it here. Emergency response telephone numbers or similar information may be included here.   |
| 9.   | The authorized agent of the waste generator must read and then sign and date this certification. The date is the date of receipt by transporter.  |
| NOTE: The waste generator must retain a copy of this form. |   |

(continued)

Figure 4. Waste Shipment Record

|   |
|---|
| <p><u>Transporter Section (Items 10 &amp; 11)</u></p> <p>10. &amp; 11. Enter name, address, and telephone number of each transporter used, if applicable. Print or type the full name and title of person accepting responsibility and acknowledging receipt of materials as listed on this waste shipment record for transport. Enter date of receipt and signature.</p> <p>NOTE: The transporter must retain a copy of this form.</p> <p><u>Disposal Site Section (Items 12 &amp; 13)</u></p> <p>12. The authorized representative of the WDS must note in this space any discrepancy between waste described on this manifest and waste actually received as well as any improperly enclosed or contained waste. Any rejected materials should be listed and destination of those materials provided. A site that converts asbestos-containing waste material to nonasbestos material is considered a WDS.</p> <p>13. The signature (by hand) of the authorized WDS agent indicates acceptance and agreement with statements on this manifest except as noted in item 12. The date is the date of signature and receipt of shipment.</p> <p>NOTE: The WDS must retain a completed copy of this form. The WDS must also send a completed copy to the operator listed in item 2.</p> |
|---|

Figure 4. Waste Shipment Record

**§61.150 Standard for waste disposal for manufacturing, fabricating, demolition, renovation, and spraying operations.**

Each owner or operator of any source covered under the provisions of §§61.144, 61.145, 61.146, and 61.147 shall comply with the following provisions:

(a) Discharge no visible emissions to the outside air during the collection, processing (including incineration), packaging, or transporting of any asbestos-containing waste material generated by the source, or use one of the emission control and waste treatment methods specified in paragraphs (a) (1) through (4) of this section.

(1) Adequately wet asbestos-containing waste material as follows:

(i) Mix control device asbestos waste to form a slurry; adequately wet other asbestos-containing waste material; and

(ii) Discharge no visible emissions to the outside air from collection, mixing, wetting, and handling operations, or use the methods specified by §61.152 to clean emissions containing particulate

asbestos material before they escape to, or are vented to, the outside air; and

(iii) After wetting, seal all asbestos-containing waste material in leak-tight containers while wet; or, for materials that will not fit into containers without additional breaking, put materials into leak-tight wrapping; and

(iv) Label the containers or wrapped materials specified in paragraph (a)(1)(iii) of this section using warning labels specified by Occupational Safety and Health Standards of the Department of Labor, Occupational Safety and Health Administration (OSHA) under 29 CFR 1910.1001(j)(2) or 1926.58(k)(2)(iii). The labels shall be printed in letters of sufficient size and contrast so as to be readily visible and legible.

(v) For asbestos-containing waste material to be transported off the facility site, label containers or wrapped materials with the name of the waste generator and the location at which the waste was generated.

## Environmental Protection Agency

## § 61.150

(2) Process asbestos-containing waste material into nonfriable forms as follows:

(i) Form all asbestos-containing waste material into nonfriable pellets or other shapes;

(ii) Discharge no visible emissions to the outside air from collection and processing operations, including incineration, or use the method specified by § 61.152 to clean emissions containing particulate asbestos material before they escape to, or are vented to, the outside air.

(3) For facilities demolished where the RACM is not removed prior to demolition according to §§ 61.145(c)(1) (i), (ii), (iii), and (iv) or for facilities demolished according to § 61.145(c)(9), adequately wet asbestos-containing waste material at all times after demolition and keep wet during handling and loading for transport to a disposal site. Asbestos-containing waste materials covered by this paragraph do not have to be sealed in leak-tight containers or wrapping but may be transported and disposed of in bulk.

(4) Use an alternative emission control and waste treatment method that has received prior approval by the Administrator according to the procedure described in § 61.149(c)(2).

(5) As applied to demolition and renovation, the requirements of paragraph (a) of this section do not apply to Category I nonfriable ACM waste and Category II nonfriable ACM waste that did not become crumbled, pulverized, or reduced to powder.

(b) All asbestos-containing waste material shall be deposited as soon as is practical by the waste generator at:

(1) A waste disposal site operated in accordance with the provisions of § 61.154, or

(2) An EPA-approved site that converts RACM and asbestos-containing waste material into nonasbestos (asbestos-free) material according to the provisions of § 61.155.

(3) The requirements of paragraph (b) of this section do not apply to Category I nonfriable ACM that is not RACM.

(c) Mark vehicles used to transport asbestos-containing waste material during the loading and unloading of waste so that the signs are visible. The

markings must conform to the requirements of §§ 61.149(d)(1) (i), (ii), and (iii).

(d) For all asbestos-containing waste material transported off the facility site:

(1) Maintain waste shipment records, using a form similar to that shown in Figure 4, and include the following information:

(i) The name, address, and telephone number of the waste generator.

(ii) The name and address of the local, State, or EPA Regional office responsible for administering the asbestos NESHAP program.

(iii) The approximate quantity in cubic meters (cubic yards).

(iv) The name and telephone number of the disposal site operator.

(v) The name and physical site location of the disposal site.

(vi) The date transported.

(vii) The name, address, and telephone number of the transporter(s).

(viii) A certification that the contents of this consignment are fully and accurately described by proper shipping name and are classified, packed, marked, and labeled, and are in all respects in proper condition for transport by highway according to applicable international and government regulations.

(2) Provide a copy of the waste shipment record, described in paragraph (d)(1) of this section, to the disposal site owners or operators at the same time as the asbestos-containing waste material is delivered to the disposal site.

(3) For waste shipments where a copy of the waste shipment record, signed by the owner or operator of the designated disposal site, is not received by the waste generator within 35 days of the date the waste was accepted by the initial transporter, contact the transporter and/or the owner or operator of the designated disposal site to determine the status of the waste shipment.

(4) Report in writing to the local, State, or EPA Regional office responsible for administering the asbestos NESHAP program for the waste generator if a copy of the waste shipment record, signed by the owner or operator of the designated waste disposal site, is not received by the waste generator within 45 days of the date the waste

**§61.151**

was accepted by the initial transporter. Include in the report the following information:

- (i) A copy of the waste shipment record for which a confirmation of delivery was not received, and
  - (ii) A cover letter signed by the waste generator explaining the efforts taken to locate the asbestos waste shipment and the results of those efforts.
- (5) Retain a copy of all waste shipment records, including a copy of the waste shipment record signed by the owner or operator of the designated waste disposal site, for at least 2 years.
- (e) Furnish upon request, and make available for inspection by the Administrator, all records required under this section.

[55 FR 48429, Nov. 20, 1990; 56 FR 1669, Jan. 16, 1991]

**§61.151 Standard for inactive waste disposal sites for asbestos mills and manufacturing and fabricating operations.**

Each owner or operator of any inactive waste disposal site that was operated by sources covered under §61.142, 61.144, or 61.147 and received deposits of asbestos-containing waste material generated by the sources, shall:

- (a) Comply with one of the following:
  - (1) Either discharge no visible emissions to the outside air from an inactive waste disposal site subject to this paragraph; or
  - (2) Cover the asbestos-containing waste material with at least 15 centimeters (6 inches) of compacted non-asbestos-containing material, and grow and maintain a cover of vegetation on the area adequate to prevent exposure of the asbestos-containing waste material. In desert areas where vegetation would be difficult to maintain, at least 8 additional centimeters (3 inches) of well-graded, nonasbestos crushed rock may be placed on top of the final cover instead of vegetation and maintained to prevent emissions; or
  - (3) Cover the asbestos-containing waste material with at least 60 centimeters (2 feet) of compacted nonasbestos-containing material, and maintain it to prevent exposure of the asbestos-containing waste; or
  - (4) For inactive waste disposal sites for asbestos tailings, a resinous or pe-

troleum-based dust suppression agent that effectively binds dust to control surface air emissions may be used instead of the methods in paragraphs (a) (1), (2), and (3) of this section. Use the agent in the manner and frequency recommended for the particular asbestos tailings by the manufacturer of the dust suppression agent to achieve and maintain dust control. Obtain prior written approval of the Administrator to use other equally effective dust suppression agents. For purposes of this paragraph, any used, spent, or other waste oil is not considered a dust suppression agent.

(b) Unless a natural barrier adequately deters access by the general public, install and maintain warning signs and fencing as follows, or comply with paragraph (a)(2) or (a)(3) of this section.

(1) Display warning signs at all entrances and at intervals of 100 m (328 ft) or less along the property line of the site or along the perimeter of the sections of the site where asbestos-containing waste material was deposited. The warning signs must:

- (i) Be posted in such a manner and location that a person can easily read the legend; and
- (ii) Conform to the requirements for 51 cm×36 cm (20"×14") upright format signs specified in 29 CFR 1910.145(d)(4) and this paragraph; and
- (iii) Display the following legend in the lower panel with letter sizes and styles of a visibility at least equal to those specified in this paragraph.

| Legend  | Notation                                    |
|---|---|
| Asbestos Waste Disposal Site.                   | 2.5 cm (1 inch) Sans Serif, Gothic or Block |
| Do Not Create Dust .....                        | 1.9 cm (¾ inch) Sans Serif, Gothic or Block |
| Breathing Asbestos is Hazardous to Your Health. | 14 Point Gothic.                            |

Spacing between any two lines must be at least equal to the height of the upper of the two lines.

(2) Fence the perimeter of the site in a manner adequate to deter access by the general public.

(3) When requesting a determination on whether a natural barrier adequately deters public access, supply information enabling the Administrator



## Environmental Protection Agency

## § 61.152

to determine whether a fence or a natural barrier adequately deters access by the general public.

(c) The owner or operator may use an alternative control method that has received prior approval of the Administrator rather than comply with the requirements of paragraph (a) or (b) of this section.

(d) Notify the Administrator in writing at least 45 days prior to excavating or otherwise disturbing any asbestos-containing waste material that has been deposited at a waste disposal site under this section, and follow the procedures specified in the notification. If the excavation will begin on a date other than the one contained in the original notice, notice of the new start date must be provided to the Administrator at least 10 working days before excavation begins and in no event shall excavation begin earlier than the date specified in the original notification. Include the following information in the notice:

(1) Scheduled starting and completion dates.

(2) Reason for disturbing the waste.

(3) Procedures to be used to control emissions during the excavation, storage, transport, and ultimate disposal of the excavated asbestos-containing waste material. If deemed necessary, the Administrator may require changes in the emission control procedures to be used.

(4) Location of any temporary storage site and the final disposal site.

(e) Within 60 days of a site becoming inactive and after the effective date of this subpart, record, in accordance with State law, a notation on the deed to the facility property and on any other instrument that would normally be examined during a title search; this notation will in perpetuity notify any potential purchaser of the property that:

(1) The land has been used for the disposal of asbestos-containing waste material;

(2) The survey plot and record of the location and quantity of asbestos-containing waste disposed of within the disposal site required in § 61.154(f) have been filed with the Administrator; and

(3) The site is subject to 40 CFR part 61, subpart M.

[49 FR 13661, Apr. 5, 1984, as amended at 53 FR 36972, Sept. 23, 1988. Redesignated and amended at 55 FR 48429, Nov. 20, 1990]

### § 61.152 Air-cleaning.

(a) The owner or operator who uses air cleaning, as specified in §§ 61.142(a), 61.144(b)(2), 61.145(c)(3)(i)(B)(J), 61.145(c)(4)(ii), 61.145(c)(11)(i), 61.146(b)(2), 61.147(b)(2), 61.149(b), 61.149(c)(1)(ii), 61.150(a)(1)(ii), 61.150(a)(2)(ii), and 61.155(e) shall:

(1) Use fabric filter collection devices, except as noted in paragraph (b) of this section, doing all of the following:

(i) Ensuring that the airflow permeability, as determined by ASTM Method D737-75, does not exceed 9 m<sup>3</sup>/min/m<sup>2</sup> (30 ft<sup>3</sup>/min/ft<sup>2</sup>) for woven fabrics or 11<sup>3</sup>/min/m<sup>2</sup> (35 ft<sup>3</sup>/min/ft<sup>2</sup>) for felted fabrics, except that 12 m<sup>3</sup>/min/m<sup>2</sup> (40 ft<sup>3</sup>/min/ft<sup>2</sup>) for woven and 14 m<sup>3</sup>/min/m<sup>2</sup> (45 ft<sup>3</sup>/min/ft<sup>2</sup>) for felted fabrics is allowed for filtering air from asbestos ore dryers; and

(ii) Ensuring that felted fabric weighs at least 475 grams per square meter (14 ounces per square yard) and is at least 1.6 millimeters (one-sixteenth inch) thick throughout; and

(iii) Avoiding the use of synthetic fabrics that contain fill yarn other than that which is spun.

(2) Properly install, use, operate, and maintain all air-cleaning equipment authorized by this section. Bypass devices may be used only during upset or emergency conditions and then only for so long as it takes to shut down the operation generating the particulate asbestos material.

(3) For fabric filter collection devices installed after January 10, 1989, provide for easy inspection for faulty bags.

(b) There are the following exceptions to paragraph (a)(1):

(1) After January 10, 1989, if the use of fabric creates a fire or explosion hazard, or the Administrator determines that a fabric filter is not feasible, the Administrator may authorize as a substitute the use of wet collectors designed to operate with a unit contacting energy of at least 9.95 kilopascals (40 inches water gage pressure).

### § 61.153

### 40 CFR Ch. I (7-1-00 Edition)

(2) Use a HEPA filter that is certified to be at least 99.97 percent efficient for 0.3 micron particles.

(3) The Administrator may authorize the use of filtering equipment other than described in paragraphs (a)(1) and (b)(1) and (2) of this section if the owner or operator demonstrates to the Administrator's satisfaction that it is equivalent to the described equipment in filtering particulate asbestos material.

[49 FR 13661, Apr. 5, 1984; 49 FR 25453, June 21, 1984, as amended at 51 FR 8199, Mar. 10, 1986. Redesignated and amended at 55 FR 48430, Nov. 20, 1990]

#### § 61.153 Reporting.

(a) Any new source to which this subpart applies (with the exception of sources subject to §§ 61.143, 61.145, 61.146, and 61.148), which has an initial startup date preceding the effective date of this revision, shall provide the following information to the Administrator postmarked or delivered within 90 days of the effective date. In the case of a new source that does not have an initial startup date preceding the effective date, the information shall be provided, postmarked or delivered, within 90 days of the initial startup date. Any owner or operator of an existing source shall provide the following information to the Administrator within 90 days of the effective date of this subpart unless the owner or operator of the existing source has previously provided this information to the Administrator. Any changes in the information provided by any existing source shall be provided to the Administrator, postmarked or delivered, within 30 days after the change.

(1) A description of the emission control equipment used for each process; and

(i) If the fabric device uses a woven fabric, the airflow permeability in  $m^3/\text{min}/m^2$  and; if the fabric is synthetic, whether the fill yarn is spun or not spun; and

(ii) If the fabric filter device uses a felted fabric, the density in  $g/m^2$ , the minimum thickness in inches, and the airflow permeability in  $m^3/\text{min}/m^2$ .

(2) If a fabric filter device is used to control emissions,

(i) The airflow permeability in  $m^3/\text{min}/m^2$  ( $ft^3/\text{min}/ft^2$ ) if the fabric filter device uses a woven fabric, and, if the fabric is synthetic, whether the fill yarn is spun or not spun; and

(ii) If the fabric filter device uses a felted fabric, the density in  $g/m^2$  ( $oz/yd^2$ ), the minimum thickness in millimeters (inches), and the airflow permeability in  $m^3/\text{min}/m^2$  ( $ft^3/\text{min}/ft^2$ ).

(3) If a HEPA filter is used to control emissions, the certified efficiency.

(4) For sources subject to §§ 61.149 and 61.150:

(i) A brief description of each process that generates asbestos-containing waste material; and

(ii) The average volume of asbestos-containing waste material disposed of, measured in  $m^3/\text{day}$  ( $yd^3/\text{day}$ ); and

(iii) The emission control methods used in all stages of waste disposal; and

(iv) The type of disposal site or incineration site used for ultimate disposal, the name of the site operator, and the name and location of the disposal site.

(5) For sources subject to §§ 61.151 and 61.154:

(i) A brief description of the site; and

(ii) The method or methods used to comply with the standard, or alternative procedures to be used.

(b) The information required by paragraph (a) of this section must accompany the information required by § 61.10. Active waste disposal sites subject to § 61.154 shall also comply with this provision. Roadways, demolition and renovation, spraying, and insulating materials are exempted from the requirements of § 61.10(a). The information described in this section must be reported using the format of appendix A of this part as a guide.

(Sec. 114, Clean Air Act as amended (42 U.S.C. 7414))

[49 FR 13661, Apr. 5, 1984. Redesignated and amended at 55 FR 48430, Nov. 20, 1990; 56 FR 1669, Jan. 16, 1991]

#### § 61.154 Standard for active waste disposal sites.

Each owner or operator of an active waste disposal site that receives asbestos-containing waste material from a source covered under § 61.149, 61.150, or 61.155 shall meet the requirements of this section:

**Environmental Protection Agency**

**§ 61.154**

(a) Either there must be no visible emissions to the outside air from any active waste disposal site where asbestos-containing waste material has been deposited, or the requirements of paragraph (c) or (d) of this section must be met.

(b) Unless a natural barrier adequately deters access by the general public, either warning signs and fencing must be installed and maintained as follows, or the requirements of paragraph (c)(1) of this section must be met.

(1) Warning signs must be displayed at all entrances and at intervals of 100 m (330 ft) or less along the property line of the site or along the perimeter of the sections of the site where asbestos-containing waste material is deposited. The warning signs must:

- (i) Be posted in such a manner and location that a person can easily read the legend; and
- (ii) Conform to the requirements of 51 cm × 36 cm (20" × 14") upright format signs specified in 29 CFR 1910.145(d)(4) and this paragraph; and
- (iii) Display the following legend in the lower panel with letter sizes and styles of a visibility at least equal to those specified in this paragraph.

| Legend  | Notation                                     |
|---|--|
| Asbestos Waste Disposal Site.                   | 2.5 cm (1 inch) Sans Serif, Gothic or Block. |
| Do Not Create Dust .....                        | 1.9 cm (¾ inch) Sans Serif, Gothic or Block. |
| Breathing Asbestos is Hazardous to Your Health. | 14 Point Gothic.                             |

Spacing between any two lines must be at least equal to the height of the upper of the two lines.

(2) The perimeter of the disposal site must be fenced in a manner adequate to deter access by the general public.

(3) Upon request and supply of appropriate information, the Administrator will determine whether a fence or a natural barrier adequately deters access by the general public.

(c) Rather than meet the no visible emission requirement of paragraph (a) of this section, at the end of each operating day, or at least once every 24-hour period while the site is in continuous operation, the asbestos-containing waste material that has been deposited at the site during the oper-

ating day or previous 24-hour period shall:

(1) Be covered with at least 15 centimeters (6 inches) of compacted nonasbestos-containing material, or

(2) Be covered with a resinous or petroleum-based dust suppression agent that effectively binds dust and controls wind erosion. Such an agent shall be used in the manner and frequency recommended for the particular dust by the dust suppression agent manufacturer to achieve and maintain dust control. Other equally effective dust suppression agents may be used upon prior approval by the Administrator. For purposes of this paragraph, any used, spent, or other waste oil is not considered a dust suppression agent.

(d) Rather than meet the no visible emission requirement of paragraph (a) of this section, use an alternative emissions control method that has received prior written approval by the Administrator according to the procedures described in §61.149(c)(2).

(e) For all asbestos-containing waste material received, the owner or operator of the active waste disposal site shall:

(1) Maintain waste shipment records, using a form similar to that shown in Figure 4, and include the following information:

- (i) The name, address, and telephone number of the waste generator.
- (ii) The name, address, and telephone number of the transporter(s).
- (iii) The quantity of the asbestos-containing waste material in cubic meters (cubic yards).

(iv) The presence of improperly enclosed or uncovered waste, or any asbestos-containing waste material not sealed in leak-tight containers. Report in writing to the local, State, or EPA Regional office responsible for administering the asbestos NESHAP program for the waste generator (identified in the waste shipment record) and, if different, the local, State, or EPA Regional office responsible for administering the asbestos NESHAP program for the disposal site, by the following working day, the presence of a significant amount of improperly enclosed or uncovered waste. Submit a copy of the waste shipment record along with the report.

§61.155

40 CFR Ch. I (7-1-00 Edition)

- (v) The date of the receipt.
- (2) As soon as possible and no longer than 30 days after receipt of the waste, send a copy of the signed waste shipment record to the waste generator.
- (3) Upon discovering a discrepancy between the quantity of waste designated on the waste shipment records and the quantity actually received, attempt to reconcile the discrepancy with the waste generator. If the discrepancy is not resolved within 15 days after receiving the waste, immediately report in writing to the local, State, or EPA Regional office responsible for administering the asbestos NESHAP program for the waste generator (identified in the waste shipment record), and, if different, the local, State, or EPA Regional office responsible for administering the asbestos NESHAP program for the disposal site. Describe the discrepancy and attempts to reconcile it, and submit a copy of the waste shipment record along with the report.
- (4) Retain a copy of all records and reports required by this paragraph for at least 2 years.
- (f) Maintain, until closure, records of the location, depth and area, and quantity in cubic meters (cubic yards) of asbestos-containing waste material within the disposal site on a map or diagram of the disposal area.
- (g) Upon closure, comply with all the provisions of §61.151.
- (h) Submit to the Administrator, upon closure of the facility, a copy of records of asbestos waste disposal locations and quantities.
- (i) Furnish upon request, and make available during normal business hours for inspection by the Administrator, all records required under this section.
- (j) Notify the Administrator in writing at least 45 days prior to excavating or otherwise disturbing any asbestos-containing waste material that has been deposited at a waste disposal site and is covered. If the excavation will begin on a date other than the one contained in the original notice, notice of the new start date must be provided to the Administrator at least 10 working days before excavation begins and in no event shall excavation begin earlier than the date specified in the original notification. Include the following information in the notice:

- (1) Scheduled starting and completion dates.
- (2) Reason for disturbing the waste.
- (3) Procedures to be used to control emissions during the excavation, storage, transport, and ultimate disposal of the excavated asbestos-containing waste material. If deemed necessary, the Administrator may require changes in the emission control procedures to be used.
- (4) Location of any temporary storage site and the final disposal site.

(Secs. 112 and 301(a) of the Clean Air Act as amended (42 U.S.C. 7412, 7601(a))

[49 FR 13661, Apr. 5, 1990. Redesignated and amended at 55 FR 48431, Nov. 20, 1990; 56 FR 1669, Jan. 16, 1991]

**§61.155 Standard for operations that convert asbestos-containing waste material into nonasbestos (asbestos-free) material.**

Each owner or operator of an operation that converts RACM and asbestos-containing waste material into nonasbestos (asbestos-free) material shall:

- (a) Obtain the prior written approval of the Administrator to construct the facility. To obtain approval, the owner or operator shall provide the Administrator with the following information:
  - (1) Application to construct pursuant to §61.07.
  - (2) In addition to the information requirements of §61.07(b)(3), a
    - (i) Description of waste feed handling and temporary storage.
    - (ii) Description of process operating conditions.
    - (iii) Description of the handling and temporary storage of the end product.
    - (iv) Description of the protocol to be followed when analyzing output materials by transmission electron microscopy.
  - (3) Performance test protocol, including provisions for obtaining information required under paragraph (b) of this section.
  - (4) The Administrator may require that a demonstration of the process be performed prior to approval of the application to construct.
    - (b) Conduct a start-up performance test. Test results shall include:
      - (1) A detailed description of the types and quantities of nonasbestos material,

## Environmental Protection Agency

## § 61.155

RACM, and asbestos-containing waste material processed, *e.g.*, asbestos cement products, friable asbestos insulation, plaster, wood, plastic, wire, etc. Test feed is to include the full range of materials that will be encountered in actual operation of the process.

(2) Results of analyses, using polarized light microscopy, that document the asbestos content of the wastes processed.

(3) Results of analyses, using transmission electron microscopy, that document that the output materials are free of asbestos. Samples for analysis are to be collected as 8-hour composite samples (one 200-gram (7-ounce) sample per hour), beginning with the initial introduction of RACM or asbestos-containing waste material and continuing until the end of the performance test.

(4) A description of operating parameters, such as temperature and residence time, defining the full range over which the process is expected to operate to produce nonasbestos (asbestos-free) materials. Specify the limits for each operating parameter within which the process will produce nonasbestos (asbestos-free) materials.

(5) The length of the test.

(c) During the initial 90 days of operation,

(1) Continuously monitor and log the operating parameters identified during start-up performance tests that are intended to ensure the production of nonasbestos (asbestos-free) output material.

(2) Monitor input materials to ensure that they are consistent with the test feed materials described during start-up performance tests in paragraph (b)(1) of this section.

(3) Collect and analyze samples, taken as 10-day composite samples (one 200-gram (7-ounce) sample collected every 8 hours of operation) of all output material for the presence of asbestos. Composite samples may be for fewer than 10 days. Transmission electron microscopy (TEM) shall be used to analyze the output material for the presence of asbestos. During the initial 90-day period, all output materials must be stored on-site until analysis shows the material to be asbestos-free or disposed of as asbestos-containing waste material according to § 61.150.

(d) After the initial 90 days of operation,

(1) Continuously monitor and record the operating parameters identified during start-up performance testing and any subsequent performance testing. Any output produced during a period of deviation from the range of operating conditions established to ensure the production of nonasbestos (asbestos-free) output materials shall be:

(i) Disposed of as asbestos-containing waste material according to § 61.150, or

(ii) Recycled as waste feed during process operation within the established range of operating conditions, or

(iii) Stored temporarily on-site in a leak-tight container until analyzed for asbestos content. Any product material that is not asbestos-free shall be either disposed of as asbestos-containing waste material or recycled as waste feed to the process.

(2) Collect and analyze monthly composite samples (one 200-gram (7-ounce) sample collected every 8 hours of operation) of the output material. Transmission electron microscopy shall be used to analyze the output material for the presence of asbestos.

(e) Discharge no visible emissions to the outside air from any part of the operation, or use the methods specified by § 61.152 to clean emissions containing particulate asbestos material before they escape to, or are vented to, the outside air.

(f) Maintain records on-site and include the following information:

(1) Results of start-up performance testing and all subsequent performance testing, including operating parameters, feed characteristic, and analyses of output materials.

(2) Results of the composite analyses required during the initial 90 days of operation under § 61.155(c).

(3) Results of the monthly composite analyses required under § 61.155(d).

(4) Results of continuous monitoring and logs of process operating parameters required under § 61.155 (c) and (d).

(5) The information on waste shipments received as required in § 61.154(e).

(6) For output materials where no analyses were performed to determine the presence of asbestos, record the name and location of the purchaser or

**§ 61.156**

**40 CFR Ch. I (7–1–00 Edition)**

disposal site to which the output materials were sold or deposited, and the date of sale or disposal.

(7) Retain records required by paragraph (f) of this section for at least 2 years.

(g) Submit the following reports to the Administrator:

(1) A report for each analysis of product composite samples performed during the initial 90 days of operation.

(2) A quarterly report, including the following information concerning activities during each consecutive 3-month period:

(i) Results of analyses of monthly product composite samples.

(ii) A description of any deviation from the operating parameters established during performance testing, the duration of the deviation, and steps taken to correct the deviation.

(iii) Disposition of any product produced during a period of deviation, including whether it was recycled, disposed of as asbestos-containing waste material, or stored temporarily on-site until analyzed for asbestos content.

(iv) The information on waste disposal activities as required in § 61.154(f).

(h) Nonasbestos (asbestos-free) output material is not subject to any of the provisions of this subpart. Output materials in which asbestos is detected, or output materials produced when the operating parameters deviated from those established during the start-up performance testing, unless shown by TEM analysis to be asbestos-free, shall be considered to be asbestos-containing waste and shall be handled and disposed of according to §§ 61.150 and 61.154 or reprocessed while all of the established operating parameters are being met.

[55 FR 48431, Nov. 20, 1990]

**§ 61.156 Cross-reference to other asbestos regulations.**

In addition to this subpart, the regulations referenced in Table 1 also apply to asbestos and may be applicable to those sources specified in §§ 61.142 through 61.151, 61.154, and 61.155 of this subpart. These cross-references are presented for the reader's information and to promote compliance with the cited regulations.

TABLE 1—CROSS-REFERENCE TO OTHER ASBESTOS REGULATIONS

| Agency | CFR citation                     | Comment  |
|--------|----------------------------------|--|
| EPA    | 40 CFR part 763, subpart E ..... | Requires schools to inspect for asbestos and implement response actions and submit asbestos management plans to States. Specifies use of accredited inspectors, air sampling methods, and waste disposal procedures. |
|        | 40 CFR part 427 .....            | Effluent standards for asbestos manufacturing source categories.   |
|        | 40 CFR part 763, subpart G ..... | Protects public employees performing asbestos abatement work in States not covered by OSHA asbestos standard.  |
| OSHA   | 29 CFR 1910.1001 .....           | Worker protection measures—engineering controls, worker training, labeling, respiratory protection, bagging of waste, 0.2 f/cc permissible exposure level.   |
|        | 29 CFR 1926.58 .....             | Worker protection measures for all construction work involving asbestos, including demolition and renovation—work practices, worker training, bagging of waste, 0.2 f/cc permissible exposure level.                 |
| MSHA   | 30 part CFR 56, subpart D .....  | Specifies exposures limits, engineering controls, and respiratory protection measures for workers in surface mines.  |
|        | 30 CFR part 57, subpart D .....  | Specifies exposure limits, engineering controls, and respiratory protection measures for workers in underground mines.   |
| DOT    | 49 CFR parts 171 and 172 .....   | Regulates the transportation of asbestos-containing waste material. Requires waste containment and shipping papers.  |

[55 FR 48432, Nov. 20, 1990, as amended at 60 FR 31920, June 19, 1995]

**§ 61.157 Delegation of authority.**

(a) In delegating implementation and enforcement authority to a State under section 112(d) of the Act, the authorities contained in paragraph (b) of this section shall be retained by the

Administrator and not transferred to a State.

(b) Authorities that will not be delegated to States:

- (1) Section 61.149(c)(2)
- (2) Section 61.150(a)(4)
- (3) Section 61.151(c)

- (4) Section 61.152(b)(3)
- (5) Section 61.154(d)
- (6) Section 61.155(a).

[55 FR 48433, Nov. 20, 1990]

APPENDIX A TO SUBPART M—INTERPRETIVE RULE GOVERNING ROOF REMOVAL OPERATIONS

*1. Applicability of the Asbestos NESHAP*

1.1. Asbestos-containing material (ACM) is material containing more than one percent asbestos as determined using the methods specified in appendix E, subpart E, 40 CFR part 763, section 1, Polarized Light Microscopy. The NESHAP classifies ACM as either "friable" or "nonfriable". Friable ACM is ACM that, when dry, can be crumbled, pulverized or reduced to powder by hand pressure. Nonfriable ACM is ACM that, when dry, cannot be crumbled, pulverized or reduced to powder by hand pressure.

1.2. Nonfriable ACM is further classified as either Category I ACM or Category II ACM. Category I ACM and Category II ACM are distinguished from each other by their potential to release fibers when damaged. Category I ACM includes asbestos-containing gaskets, packings, resilient floor coverings, resilient floor covering mastic, and asphalt roofing products containing more than one percent asbestos. Asphalt roofing products which may contain asbestos include built-up roofing; asphalt-containing single ply membrane systems; asphalt shingles; asphalt-containing underlayment felts; asphalt-containing roof coatings and mastics; and asphalt-containing base flashings. ACM roofing products that use other bituminous or resinous binders (such as coal tars or pitches) are also considered to be Category I ACM. Category II ACM includes all other nonfriable ACM, for example, asbestos-cement (A/C) shingles, A/C tiles, and transite boards or panels containing more than one percent asbestos. Generally speaking, Category II ACM is more likely to become friable when damaged than is Category I ACM. The applicability of the NESHAP to Category I and II ACM depends on: (1) the condition of the material at the time of demolition or renovation, (2) the nature of the operation to which the material will be subjected, (3) the amount of ACM involved.

1.3. Asbestos-containing material regulated under the NESHAP is referred to as "regulated asbestos-containing material" (RACM). RACM is defined in §61.141 of the NESHAP and includes: (1) friable asbestos-containing material; (2) Category I nonfriable ACM that has become friable; (3) Category I nonfriable ACM that has been or will be sanded, ground, cut, or abraded; or (4) Category II nonfriable ACM that has already been or is likely to become crumbled, pulverized, or reduced to

powder. If the coverage threshold for RACM is met or exceeded in a renovation or demolition operation, then all friable ACM in the operation, and in certain situations, nonfriable ACM in the operation, are subject to the NESHAP.

A. Threshold Amounts of Asbestos-Containing Roofing Material

1.A.1. The NESHAP does not cover roofing projects on single family homes or on residential buildings containing four or fewer dwelling units. 40 CFR 61.141. For other roofing renovation projects, if the total asbestos-containing roof area undergoing renovation is less than 160 ft<sup>2</sup>, the NESHAP does not apply, regardless of the removal method to be used, the type of material (Category I or II), or its condition (friable versus nonfriable). 40 CFR 61.145(a)(4). However, EPA would recommend the use of methods that damage asbestos-containing roofing material as little as possible. EPA has determined that where a rotating blade (RB) roof cutter or equipment that similarly damages the roofing material is used to remove Category I nonfriable asbestos-containing roofing material, the removal of 5580 ft<sup>2</sup> of that material will create 160 ft<sup>2</sup> of RACM. For the purposes of this interpretive rule, "RB roof cutter" means an engine-powered roof cutting machine with one or more rotating cutting blades the edges of which are blunt. (Equipment with blades having sharp or tapered edges, and/or which does not use a rotating blade, is used for "slicing" rather than "cutting" the roofing material; such equipment is not included in the term "RB roof cutter".) Therefore, it is EPA's interpretation that when an RB roof cutter or equipment that similarly damages the roofing material is used to remove Category I nonfriable asbestos-containing roofing material, any project that is 5580 ft<sup>2</sup> or greater is subject to the NESHAP; conversely, it is EPA's interpretation that when an RB roof cutter or equipment that similarly damages the roofing material is used to remove Category I nonfriable asbestos-containing roofing material in a roof removal project that is less than 5580 ft<sup>2</sup>, the project is not subject to the NESHAP, except that notification is always required for demolitions. EPA further construes the NESHAP to mean that if slicing or other methods that do not sand, grind, cut or abrade will be used on Category I nonfriable ACM, the NESHAP does not apply, regardless of the area of roof to be removed.

1.A.2. For asbestos cement (A/C) shingles (or other Category II roofing material), if the area of the roofing material to be removed is at least 160 ft<sup>2</sup> and the removal methods will crumble, pulverize, reduce to powder, or contaminate with RACM (from other ACM that has been crumbled, pulverized or reduced to

powder) 160 ft<sup>2</sup> or more of such roofing material, the removal is subject to the NESHAP. Conversely, if the area of the A/C shingles (or other Category II roofing materials) to be removed is less than 160 ft<sup>2</sup>, the removal is not subject to the NESHAP regardless of the removal method used, except that notification is always required for demolitions. 40 CFR 61.145(a). However, EPA would recommend the use of methods that damage asbestos-containing roofing material as little as possible. If A/C shingles (or other Category II roofing materials) are removed without 160 ft<sup>2</sup> or more of such roofing material being crumbled, pulverized, reduced to powder, or contaminated with RACM (from other ACM that has been crumbled, pulverized or reduced to powder), the operation is not subject to the NESHAP, even where the total area of the roofing material to be removed exceeds 160 ft<sup>2</sup>; provided, however, that if the renovation includes other operations involving RACM, the roof removal operation is covered if the total area of RACM from all renovation activities exceeds 160 ft<sup>2</sup>. See the definition of regulated asbestos-containing material (RACM), 40 CFR 61.141.

1.A.3. Only roofing material that meets the definition of ACM can qualify as RACM subject to the NESHAP. Therefore, to determine if a removal operation that meets or exceeds the coverage threshold is subject to the NESHAP, any suspect roofing material (*i.e.* roofing material that may be ACM) should be tested for asbestos. If any such roofing material contains more than one percent asbestos and if the removal operation is covered by the NESHAP, then EPA must be notified and the work practices in §61.145(c) must be followed. In EPA's view, if a removal operation involves at least the threshold level of suspect material, a roofing contractor may choose not to test for asbestos if the contractor follows the notification and work practice requirements of the NESHAP.

#### B. A/C Shingle Removal (Category II ACM Removal)

1.B.1. A/C shingles, which are Category II nonfriable ACM, become regulated ACM if the material has a high probability of becoming or has become crumbled, pulverized or reduced to powder by the forces expected to act on the material in the course of demolition or renovation operations. 40 CFR 61.141. However, merely breaking an A/C shingle (or any other category II ACM) that is not friable may not necessarily cause the material to become RACM. A/C shingles are typically nailed to buildings on which they are attached. EPA believes that the extent of breakage that will normally result from carefully removing A/C shingles and lowering the shingles to the ground will not result in crumbling, pulverizing or reducing the shingles to powder. Conversely, the ex-

tent of breakage that will normally occur if the A/C shingles are dropped from a building or scraped off of a building with heavy machinery would cause the shingles to become RACM. EPA therefore construes the NESHAP to mean that the removal of A/C shingles that are not friable, using methods that do not crumble, pulverize, or reduce the A/C shingles to powder (such as pry bars, spud bars and shovels to carefully pry the material), is not subject to the NESHAP provided that the A/C shingles are properly handled during and after removal, as discussed in this paragraph and the asbestos NESHAP. This interpretation also applies to other Category II nonfriable asbestos-containing roofing materials.

#### C. Cutting vs. Slicing and Manual Methods for Removal of Category I ACM

1.C.1. Because of damage to the roofing material, and the potential for fiber release, roof removal operations using rotating blade (RB) roof cutters or other equipment that sand, grind, cut or abrade the roof material are subject to the NESHAP. As EPA interprets the NESHAP, the use of certain manual methods (using equipment such as axes, hatchets, or knives, spud bars, pry bars, and shovels, but not saws) or methods that slice, shear, or punch (using equipment such as a power slicer or power plow) does not constitute "cutting, sanding, grinding or abrading." This is because these methods do not destroy the structural matrix or integrity of the material such that the material is crumbled, pulverized or reduced to powder. Hence, it is EPA's interpretation that when such methods are used, assuming the roof material is not friable, the removal operation is not subject to the regulation.

1.C.2. Power removers or power tear-off machines are typically used to pry the roofing material up from the deck after the roof membrane has been cut. It is EPA's interpretation that when these machines are used to pry roofing material up, their use is not regulated by the NESHAP.

1.C.3. As noted previously, the NESHAP only applies to the removal of asbestos-containing roofing materials. Thus, the NESHAP does not apply to the use of RB cutters to remove non-asbestos built up roofing (BUR). On roofs containing some asbestos-containing and some non-asbestos-containing materials, coverage under the NESHAP depends on the methods used to remove each type of material in addition to other coverage thresholds specified above. For example, it is not uncommon for existing roofs to be made of non-asbestos BUR and base flashings that do contain asbestos. In that situation, EPA construes the NESHAP to be inapplicable to the removal of the non-asbestos BUR using an RB cutter so long as the RB cutter is not used to cut 5580



ft<sup>2</sup> or more of the asbestos-containing base flashing or other asbestos-containing material into sections. In addition, the use of methods that slice, shear, punch or pry could then be used to remove the asbestos flashings and not trigger coverage under the NESHAP.

## II. Notification

2.1. Notification for a demolition is always required under the NESHAP. However, EPA believes that few roof removal jobs constitute "demolitions" as defined in the NESHAP (§61.141). In particular, it is EPA's view that the removal of roofing systems (i.e., the roof membrane, insulation, surfacing, coatings, flashings, mastic, shingles, and felt underlayment), when such removal is not a part of a demolition project, constitutes a "renovation" under the NESHAP. If the operation is a renovation, and Category I roofing material is being removed using either manual methods or slicing, notification is not required by the NESHAP. If Category II material is not friable and will be removed without crumbling, pulverizing, or reducing it to powder, no notification is required. Also, if the renovation involves less than the threshold area for applicability as discussed above, then no notification is required. However, if a roof removal meets the applicability and threshold requirements under the NESHAP, then EPA (or the delegated agency) must be notified in advance of the removal in accordance with the requirements of §61.145(b), as follows:

- Notification must be given in writing at least 10 working days in advance and must include the information in §61.145(b)(4), except for emergency renovations as discussed below.
- The notice must be updated as necessary, including, for example, when the amount of asbestos-containing roofing material reported changes by 20 percent or more.
- EPA must be notified if the start date of the roof removal changes. If the start date of a roof removal project is changed to an earlier date, EPA must be provided with a written notice of the new start date at least 10 working days in advance. If the start date changes to a later date, EPA must be notified by telephone as soon as possible before the original start date and a written notice must be sent as soon as possible.
- For emergency renovations (as defined in §61.141), where work must begin immediately to avoid safety or public health hazards, equipment damage, or unreasonable financial burden, the notification must be post-marked or delivered to EPA as soon as possible, but no later than the following work day.

## III. Emission Control Practices

### A. Requirements to Adequately Wet and Discharge No Visible Emission

3.A.1. The principal controls contained in the NESHAP for removal operations include requirements that the affected material be adequately wetted, and that asbestos waste be handled, collected, and disposed of properly. The requirements for disposal of waste materials are discussed separately in section IV below. The emission control requirements discussed in this section III apply only to roof removal operations that are covered by the NESHAP as set forth in Section I above.

3.A.2. For any operation subject to the NESHAP, the regulation (§§61.145(c)(2)(i), (3), (6)(i)) requires that RACM be adequately wet (as defined in §61.141) during the operation that damages or disturbs the asbestos material until collected for disposal.

3.A.3. When using an RB roof cutter (or any other method that sands, grinds, cuts or abrades the roofing material) to remove Category I asbestos-containing roofing material, the emission control requirements of §61.145(c) apply as discussed in Section I above. EPA will consider a roof removal project to be in compliance with the "adequately wet" and "discharge no visible emission" requirements of the NESHAP if the RB roof cutter is equipped and operated with the following: (1) a blade guard that completely encloses the blade and extends down close to the roof surface; and (2) a device for spraying a fine mist of water inside the blade guard, and which device is in operation during the cutting of the roof.

### B. Exemptions From Wetting Requirements

3.B.1. The NESHAP provides that, in certain instances, wetting may not be required during the cutting of Category I asbestos roofing material with an RB roof cutter. If EPA determines in accordance with §61.145(c)(3)(i), that wetting will unavoidably damage the building, equipment inside the building, or will present a safety hazard while stripping the ACM from a facility component that remains in place, the roof removal operation will be exempted from the requirement to wet during cutting. EPA must have sufficient written information on which to base such a decision. Before proceeding with a dry removal, the contractor must have received EPA's written approval. Such exemptions will be made on a case-by-case basis.

3.B.2. It is EPA's view that, in most instances, exemptions from the wetting requirements are not necessary. Where EPA grants an exemption from wetting because of the potential for damage to the building, damage to equipment within the building or a safety hazard, the NESHAP specifies alternative control methods (§61.145(c)(3)(i)(B)).

Alternative control methods include (a) the use of local exhaust ventilation systems that capture the dust, and do not produce visible emissions, or (b) methods that are designed and operated in accordance with the requirements of §61.152, or (c) other methods that have received the written approval of EPA. EPA will consider an alternative emission control method in compliance with the NESHAP if the method has received written approval from EPA and the method is being implemented consistent with the approved procedures (§61.145(c)(3)(ii) or §61.152(b)(3)).

3.B.3. An exemption from wetting is also allowed when the air or roof surface temperature at the point of wetting is below freezing, as specified in §61.145(c)(7). If freezing temperatures are indicated as the reason for not wetting, records must be kept of the temperature at the beginning, middle and end of the day on which wetting is not performed and the records of temperature must be retained for at least 2 years. 42 CFR §61.145(c)(7)(iii). It is EPA's interpretation that in such cases, no written application to, or written approval by the Administrator is needed for using emission control methods listed in §61.145(c)(3)(i)(B), or alternative emission control methods that have been previously approved by the Administrator. However, such written application or approval is required for alternative emission control methods that have not been previously approved. Any dust and debris collected from cutting must still be kept wet and placed in containers. All of the other requirements for notification and waste disposal would continue to apply as described elsewhere in this notice and the Asbestos NESHAP.

#### C. Waste Collection and Handling

3.C.1. It is EPA's interpretation that waste resulting from slicing and other methods that do not cut, grind, sand or abrade Category I nonfriable asbestos-containing roofing material is not subject to the NESHAP and can be disposed of as nonasbestos waste. EPA further construes the NESHAP to provide that if Category II roofing material (such as A/C shingles) is removed and disposed of without crumbling, pulverizing, or reducing it to powder, the waste from the removal is not subject to the NESHAP waste disposal requirements. EPA also interprets the NESHAP to be inapplicable to waste resulting from roof removal operations that do not meet or exceed the coverage thresholds described in section I above. Of course, other State, local, or Federal regulations may apply.

3.C.2. It is EPA's interpretation that when an RB roof cutter, or other method that similarly damages the roofing material, is used to cut Category I asbestos containing roofing material, the damaged material from

the cut (the sawdust or debris) is considered asbestos containing waste subject to §61.150 of the NESHAP, provided the coverage thresholds discussed above in section I are met or exceeded. This sawdust or debris must be disposed of at a disposal site operated in accordance with the NESHAP. It is also EPA's interpretation of the NESHAP that if the remainder of the roof is free of the sawdust and debris generated by the cutting, or if such sawdust or debris is collected as discussed below in paragraphs 3.C.3, 3.C.4, 3.C.5 and 3.C.6, the remainder of the roof can be disposed of as nonasbestos waste because it is considered to be Category I nonfriable material (as long as the remainder of the roof is in fact nonasbestos material or if it is Category I asbestos material and the removal methods do not further sand, grind, cut or abrade the roof material). EPA further believes that if the roof is not cleaned of such sawdust or debris, *i.e.*, it is contaminated, then it must be treated as asbestos-containing waste material and be handled in accordance with §61.150.

3.C.3. In order to be in compliance with the NESHAP while using an RB roof cutter (or device that similarly damages the roofing material) to cut Category I asbestos containing roofing material, the dust and debris resulting from the cutting of the roof should be collected as soon as possible after the cutting operation, and kept wet until collected and placed in leak-tight containers. EPA believes that where the blade guard completely encloses the blade and extends down close to the roof surface and is equipped with a device for spraying a fine mist of water inside the blade guard, and the spraying device is in operation during the cutting, most of the dust and debris from cutting will be confined along the cut. The most efficient methods to collect the dust and debris from cutting are to immediately collect or vacuum up the damaged material where it lies along the cut using a filtered vacuum cleaner or debris collector that meets the requirements of 40 CFR 61.152 to clean up as much of the debris as possible, or to gently sweep up the bulk of the debris, and then use a filtered vacuum cleaner that meets the requirements of 40 CFR 61.152 to clean up as much of the remainder of the debris as possible. On smooth surfaced roofs (nonaggregate roofs), sweeping up the debris and then wet wiping the surface may be done in place of using a filtered vacuum cleaner. It is EPA's view that if these decontamination procedures are followed, the remaining roofing material does not have to be collected and disposed of as asbestos waste. Additionally, it is EPA's view that where such decontamination procedures are followed, if the remaining portions of the roof are non-asbestos or Category I nonfriable asbestos material, and if the remaining portions are removed using removal methods that slice, shear, punch or

pry, as discussed in section 1.C above, then the remaining portions do not have to be collected and disposed of as asbestos waste and the NESHAP's no visible emissions and adequately wet requirements are not applicable to the removal of the remaining portions. In EPA's interpretation, the failure of a filtered vacuum cleaner or debris collector to collect larger chunks or pieces of damaged roofing material created by the RB roof cutter does not require the remaining roofing material to be handled and disposed of as asbestos waste, provided that such visible chunks or pieces of roofing material are collected (e.g. by gentle sweeping) and disposed of as asbestos waste. Other methods of decontamination may not be adequate, and should be approved by the local delegated agency.

3.C.4. In EPA's interpretation, if the debris from the cutting is not collected immediately, it will be necessary to lightly mist the dust or debris, until it is collected, as discussed above, and placed in containers. The dust or debris should be lightly misted frequently enough to prevent the material from drying, and to prevent airborne emissions, prior to collection as described above. It is EPA's interpretation of the NESHAP that if these procedures are followed, the remaining roofing material does not have to be collected and disposed of as asbestos waste, as long as the remaining roof material is in fact nonasbestos material or if it is Category I asbestos material and the removal methods do not further sand, grind, cut or abrade the roof material.

3.C.5. It is EPA's interpretation that, provided the roofing material is not friable prior to the cutting operation, and provided the roofing material has not been made friable by the cutting operation, the appearance of rough, jagged or damaged edges on the remaining roofing material, due to the use of an RB roof cutter, does not require that such remaining roofing material be handled and disposed of as asbestos waste. In addition, it is also EPA's interpretation that if the sawdust or debris generated by the use of an RB roof cutter has been collected as discussed in paragraphs 3.C.3, 3.C.4 and 3.C.6, the presence of dust along the edge of the remaining roof material does not render such material "friable" for purposes of this interpretive rule or the NESHAP, provided the roofing material is not friable prior to the cutting operation, and provided that the remaining roofing material near the cutline has not been made friable by the cutting operation. Where roofing material near the cutline has been made friable by the use of the RB cutter (*i.e.* where such remaining roofing material near the cutline can be crumbled, pulverized or reduced to powder using hand pressure), it is EPA's interpretation that the use of an encapsulant will ensure that such friable material need not be treated or disposed of as asbestos containing

waste material. The encapsulant may be applied to the friable material after the roofing material has been collected into stacks for subsequent disposal as nonasbestos waste. It is EPA's view that if the encapsulation procedure set forth in this paragraph is followed in operations where roofing material near the cutline has been rendered friable by the use of an RB roof cutter, and if the decontamination procedures set forth in paragraph 3.C.3 have been followed, the NESHAP's no visible emissions and adequately wet requirements would be met for the removal, handling and disposal of the remaining roofing material.

3.C.6. As one way to comply with the NESHAP, the dust and debris from cutting can be placed in leak-tight containers, such as plastic bags, and the containers labeled using warning labels required by OSHA (29 CFR 1926.58). In addition, the containers must have labels that identify the waste generator (such as the name of the roofing contractor, abatement contractor, and/or building owner or operator) and the location of the site at which the waste was generated.

#### IV. Waste Disposal

##### A. Disposal Requirements

4.A.1. Section 61.150(b) requires that, as soon as is practical, all collected dust and debris from cutting as well as any contaminated roofing squares, must be taken to a landfill that is operated in accordance with §61.154 or to an EPA-approved site that converts asbestos waste to nonasbestos material in accordance with §61.155. During the loading and unloading of affected waste, asbestos warning signs must be affixed to the vehicles.

##### B. Waste Shipment Record

4.B.1. For each load of asbestos waste that is regulated under the NESHAP, a waste shipment record (WSR) must be maintained in accordance with §61.150(d). Information that must be maintained for each waste load includes the following:

- Name, address, and telephone number of the waste generator
- Name and address of the local, State, or EPA regional office responsible for administering the asbestos NESHAP program
- Quantity of waste in cubic meters (or cubic yards)
- Name and telephone number of the disposal site operator
- Name and physical site location of the disposal site
- Date transported
- Name, address, and telephone number of the transporter(s)
- Certification that the contents meet all government regulations for transport by highways.

## § 61.160

4.B.2. The waste generator is responsible for ensuring that a copy of the WSR is delivered to the disposal site along with the waste shipment. If a copy of the WSR signed by the disposal site operator is not returned to the waste generator within 35 days, the waste generator must contact the transporter and/or the disposal site to determine the status of the waste shipment. 40 CFR 61.150(d)(3). If the signed WSR is not received within 45 days, the waste generator must report, in writing, to the responsible NESHAP program agency and send along a copy of the WSR. 40 CFR 61.150(d)(4). Copies of WSRs, including those signed by the disposal site operator, must be retained for at least 2 years. 40 CFR 61.150(d)(5).

### V. Training

5.1. For those roof removals that are subject to the NESHAP, at least one on-site supervisor trained in the provisions of the NESHAP must be present during the removal of the asbestos roofing material. 40 CFR 61.145(c)(8). In EPA's view, this person can be a job foreman, a hired consultant, or someone who can represent the building owner or contractor responsible for the removal. In addition to the initial training requirement, a refresher training course is required every 2 years. The NESHAP training requirements became effective on November 20, 1991.

5.2. Asbestos training courses developed specifically to address compliance with the NESHAP in roofing work, as well as courses developed for other purposes can satisfy this requirement of the NESHAP, as long as the course covers the areas specified in the regulation. EPA believes that Asbestos Hazard Emergency Response Act (AHERA) training courses will, for example, satisfy the NESHAP training requirements. However, nothing in this interpretive rule or in the NESHAP shall be deemed to require that roofing contractors or roofing workers performing operations covered by the NESHAP must be trained or accredited under AHERA, as amended by the Asbestos School Hazard Abatement Reauthorization Act (ASHARA). Likewise, state or local authorities may independently impose additional training, licensing, or accreditation requirements on roofing contractors performing operations covered by the NESHAP, but such additional training, licensing or accreditation is not called for by this interpretive rule or the federal NESHAP.

5.3. For removal of Category I asbestos containing roofing material where RB roof cutters or equipment that similarly damages the asbestos-containing roofing material are used, the NESHAP training requirements (§61.145(c)(8)) apply as discussed in Section I above. It is EPA's intention that removal of Category I asbestos-containing roofing mate-

## 40 CFR Ch. I (7-1-00 Edition)

rial using hatchets, axes, knives, and/or the use of spud bars, pry bars and shovels to lift the roofing material, or similar removal methods that slice, punch, or shear the roof membrane are not subject to the training requirements, since these methods do not cause the roof removal to be subject to the NESHAP. Likewise, it is EPA's intention that roof removal operations involving Category II nonfriable ACM are not subject to the training requirements where such operations are not subject to the NESHAP as discussed in section I above.

[59 FR 31158, June 17, 1994, as amended at 60 FR 31920, June 19, 1995]

### Subpart N—National Emission Standard for Inorganic Arsenic Emissions From Glass Manufacturing Plants

SOURCE: 51 FR 28025, Aug. 4, 1986, unless otherwise noted.

#### § 61.160 Applicability and designation of source.

(a) The source to which this subpart applies is each glass melting furnace that uses commercial arsenic as a raw material. This subpart does not apply to pot furnaces.

(b) Rebricking is not considered construction or modification for the purposes of § 61.05(a).

#### § 61.161 Definitions.

The terms used in this subpart are defined in the Clean Air Act, in § 61.02, or in this section as follows:

*Arsenic-containing glass type* means any glass that is distinguished from other glass solely by the weight percent of arsenic added as a raw material and by the weight percent of arsenic in the glass produced. Any two or more glasses that have the same weight percent of arsenic in the raw materials as well as in the glass produced shall be considered to belong to one arsenic-containing glass type, without regard to the recipe used or any other characteristics of the glass or the method of production.

*By-pass the control device* means to operate the glass melting furnace without operating the control device to which that furnace's emissions are directed routinely.

*Commercial arsenic* means any form of arsenic that is produced by extraction

from any arsenic-containing substance and is intended for sale or for intentional use in a manufacturing process. Arsenic that is a naturally occurring trace constituent of another substance is not considered "commercial arsenic."

*Cullet* means waste glass recycled to a glass melting furnace.

*Glass melting furnace* means a unit comprising a refractory vessel in which raw materials are charged, melted at high temperature, refined, and conditioned to produce molten glass. The unit includes foundations, superstructure and retaining walls, raw material charger systems, heat exchangers, melter cooling system, exhaust system, refractory brick work, fuel supply and electrical boosting equipment, integral control systems and instrumentation, and appendages for conditioning and distributing molten glass to forming apparatuses. The forming apparatuses, including the float bath used in flat glass manufacturing, are not considered part of the glass melting furnace.

*Glass produced* means the glass pulled from the glass melting furnace.

*Inorganic arsenic* means the oxides and other noncarbon compounds of the element arsenic included in particulate matter, vapors, and aerosols.

*Malfunction* means any sudden failure of air pollution control equipment or process equipment or of a process to operate in a normal or usual manner so that emissions of arsenic are increased.

*Pot furnace* means a glass melting furnace that contains one or more refractory vessels in which glass is melted by indirect heating. The openings of the vessels are in the outside wall of the furnace and are covered with refractory stoppers during melting.

*Rebricking* means cold replacement of damaged or worn refractory parts of the glass melting furnace. Rebricking includes replacement of the refractories comprising the bottom, sidewalls, or roof of the melting vessel; replacement of refractory work in the heat exchanger; and replacement of refractory portions of the glass conditioning and distribution system.

*Shutdown* means the cessation of operation of an affected source for any purpose.

*Theoretical arsenic emissions factor* means the amount of inorganic arsenic, expressed in grams per kilogram of glass produced, as determined based on a material balance.

*Uncontrolled total arsenic emissions* means the total inorganic arsenic in the glass melting furnace exhaust gas preceding any add-on emission control device.

[51 FR 28025, Aug. 4, 1986; 51 FR 35355, Oct. 3, 1986]

#### § 61.162 Emission limits.

(a) The owner or operator of an existing glass melting furnace subject to the provisions of this subpart shall comply with either paragraph (a)(1) or (a)(2) of this section; except as provided in paragraph (c) of this section.

(1) Uncontrolled total arsenic emissions from the glass melting furnace shall be less than 2.5 Mg per year, or

(2) Total arsenic emissions from the glass melting furnace shall be conveyed to a control device and reduced by at least 85 percent.

(b) The owner or operator of a new or modified glass melting furnace subject to the provisions of this subpart shall comply with either paragraph (b)(1) or (b)(2) of this section, except as provided in paragraph (c) of this section.

(1) Uncontrolled total arsenic emissions from the glass melting furnace shall be less than 0.4 Mg per year, or

(2) Total arsenic emissions from the glass melting furnace shall be conveyed to a control device and reduced by at least 85 percent.

(c) An owner or operator of a source subject to the requirements of this section may, after approval by the Administrator, bypass the control device to which arsenic emissions from the furnace are directed for a limited period of time for designated purposes such as maintenance of the control device, as specified in § 61.165(e).

(d) At all times, including periods of startup, shutdown, and malfunction, the owner or operator of a glass melting furnace subject to the provisions of this subpart shall operate and maintain the furnace and associated air pollution control equipment in a manner consistent with good air pollution control practice for minimizing emissions of inorganic arsenic to the atmosphere

**§ 61.163**

to the maximum extent practicable. Determination of whether acceptable operating and maintenance procedures are being used will be based on information available to the Administrator, which may include, but is not limited to, monitoring results, review of operating and maintenance procedures, inspection of the source, and review of other records.

**§ 61.163 Emission monitoring.**

(a) An owner or operator of a glass melting furnace subject to the emission limit in § 61.162(a)(2) or § 61.162(b)(2) shall:

(1) Install, calibrate, maintain, and operate a continuous monitoring system for the measurement of the opacity of emissions discharged into the atmosphere from the control device; and

(2) Install, calibrate, maintain, and operate a monitoring device for the continuous measurement of the temperature of the gas entering the control device.

(b) All continuous monitoring systems and monitoring devices shall be installed and operational prior to performance of an emission test required by § 61.164(a). Verification of operational status shall, at a minimum, consist of an evaluation of the monitoring system in accordance with the requirements and procedures contained in Performance Specification 1 of appendix B of 40 CFR part 60.

(c) During the emission test required in § 61.164(a) each owner or operator subject to paragraph (a) of this section shall:

(1) Conduct continuous opacity monitoring from the beginning of the first test run until the completion of the third test run. Process and control equipment shall be operated in a manner that will minimize opacity of emissions, subject to the Administrator's approval.

(2) Calculate 6-minute opacity averages from 24 or more data points equally spaced over each 6-minute period during the test runs.

(3) Determine, based on the 6-minute opacity averages, the opacity value corresponding to the 99 percent upper confidence level of a normal or log-normal (whichever the owner or operator

determines is more representative) distribution of the average opacity values.

(4) Conduct continuous monitoring of the temperature of the gas entering the control device from the beginning of the first test run until completion of the third test run.

(5) Calculate 15-minute averages of the temperature of the gas entering the control device during each test run.

(d) An owner or operator may re-determine the values described in paragraph (c) of this section during any emission test that demonstrates compliance with the emission limits in § 61.162(a)(2) or § 61.162(b)(2).

(e) The requirements of § 60.13(d) and § 60.13(f) shall apply to an owner or operator subject to paragraph (a) of this section.

(f) Except for system breakdowns, repairs, calibration checks, and zero and span adjustments required under § 60.13(d), all continuous monitoring systems shall be in continuous operation and shall meet minimum frequency of operation requirements by completing a minimum of one cycle of sampling and analyzing for each successive 10-second period and one cycle of data recording for each successive 6-minute period.

(g) An owner or operator subject to paragraph (a) of this section shall:

(1) Reduce all opacity data to 6-minute averages. Six-minute averages shall be calculated from 24 or more data points equally spaced over each 6-minute period. Data recorded during periods of monitoring system breakdowns, repairs, calibration checks, and zero and span adjustments shall not be included in the data averages calculated under this paragraph, and

(2) Calculate 15-minute averages of the temperature of the gas entering the control device for each 15-minute operating period.

(h) After receipt and consideration of written application, the Administrator may approve alternative monitoring systems for the measurement of one or more process or operating parameters that is or are demonstrated to enable accurate and representative monitoring of a properly operating control device. Upon approval of an alternative monitoring system for an affected source, the Administrator will specify

## Environmental Protection Agency

## § 61.164

requirements to replace the requirements of paragraphs (a)—(g) of this section for that system.

[51 FR 28025, Aug. 4, 1986, as amended at 64 FR 7467, Feb. 12, 1999]

### § 61.164 Test methods and procedures.

(a) To demonstrate compliance with § 61.162, the owner or operator shall conduct emission tests, reduce test data, and follow the procedures specified in this section unless the Administrator:

(1) Specifies or approves, in specific cases, the use of a reference method with minor changes in methodology;

(2) Approves the use of an equivalent method;

(3) Approves the use of an alternative method the results of which he has determined to be adequate for indicating whether a specific source is in compliance; or

(4) Waives the requirement for emission tests as provided under § 61.13.

(b) Unless a waiver of emission testing is obtained, the owner or operator shall conduct emission tests required by this section:

(1) No later than 90 days after the effective date of this subpart for a source that has an initial startup date preceding the effective date; or

(2) No later than 90 days after startup for a source that has an initial startup date after the effective date.

(3) At such other times as may be required by the Administrator under section 114 of the Act.

(4) While the source is operating under such conditions as the Administrator may specify, based on representative performance of the source.

(c) To demonstrate compliance with § 61.162(a)(1) when less than 8.0 Mg per year of elemental arsenic is added to any existing glass melting furnace, or to demonstrate compliance with § 61.162(b)(1) when less than 1.0 Mg per year of elemental arsenic is added to any new or modified glass melting furnace, an owner or operator shall:

(1) Derive a theoretical uncontrolled arsenic emission factor (T), in grams of elemental arsenic per kilogram of glass produced, based on material balance calculations for each arsenic-containing glass type (i) produced during the 12-month period, as follows:

$$T_i = (A_{bi} \times W_{bi}) + (A_{ci} \times W_{ci}) - A_{gi}$$

Where:

$T_i$  = the theoretical uncontrolled arsenic emission factor (g/kg) for each glass type (i).

$A_{bi}$  = fraction by weight of elemental arsenic in the fresh batch for each glass type (i).

$W_{bi}$  = weight (g) of fresh batch melted per kg of glass produced for each glass type (i).

$A_{ci}$  = fraction by weight of elemental arsenic in cullet for each glass type (i).

$W_{ci}$  = weight (g) of cullet melted per kg of glass produced for each glass type (i).

$A_{gi}$  = weight (g) of elemental arsenic per kg glass produced for each glass type (i).

(2) Estimate theoretical uncontrolled arsenic emissions for the 12-month period for each arsenic-containing glass type as follows:

$$Y_i = \frac{(T_i \times G_i)}{10^6}$$

Where:

$Y_i$  = the theoretical uncontrolled arsenic emission estimate for the 12-month period for each glass type (Mg/year).

$T_i$  = the theoretical uncontrolled arsenic emission factor for each type of glass (i) produced during the 12-month period as calculated in paragraph (c)(1) of this section (g/kg).

$G_i$  = the quantity (kg) of each arsenic-containing glass type (i) produced during the 12-month period.

(3) Estimate the total theoretical uncontrolled arsenic emissions for the 12-month period by finding the sum of the values calculated for  $Y_i$  in paragraph (c)(2) of this section.

(4) If the value determined in paragraph (c)(3) of this section is equal to or greater than the applicable limit in § 61.162(a)(1) or (b)(1), conduct the emission testing and calculations described in paragraphs (d)(1) through (d)(5) of this section. If the value is less than the applicable limit, the source is in compliance and no emission testing or additional calculations are required.

(d) To demonstrate compliance with § 61.162(a)(1) when 8.0 Mg per year or more of elemental arsenic are added to any existing glass melting furnace, or to demonstrate compliance with § 61.162(b)(1) when 1.0 Mg per year or more of elemental arsenic is added to any new or modified glass melting furnace, an owner or operator shall:

(1) Estimate the theoretical uncontrolled arsenic emissions for each glass

§61.164

40 CFR Ch. I (7-1-00 Edition)

type for the 12-month period by performing the calculations described in paragraphs (c)(1) and (c)(2) of this section.

(2) Conduct emission testing to determine the actual uncontrolled arsenic emission rate during production of the arsenic-containing glass type with the highest theoretical uncontrolled arsenic emissions as calculated under paragraph (d)(1) of this section. The owner or operator shall use the following test methods and procedures:

(i) Use Method 108 in appendix B to this part for determining the arsenic emission rate (g/h). The emission rate shall equal the arithmetic mean of the results of three 60-minute test runs.

(ii) Use the following methods in appendix A to 40 CFR part 60:

(A) Method 1 for sample and velocity traverse.

(B) Method 2 for velocity and volumetric flowrate.

(C) Method 3 for gas analysis.

(D) For sources equipped with positive pressure fabric filters, use Section 4 of Method 5D to determine a suitable sampling location and procedure.

(3) Determine the actual uncontrolled arsenic emission factor ( $R_a$ ) in grams of elemental arsenic per kilogram of glass produced, as follows:

$$R_a = E_a + P$$

Where:

$R_a$ =the actual uncontrolled arsenic emission factor (g/kg).

$E_a$ =the actual uncontrolled arsenic emission rate (g/h) from paragraph (d)(2) of this section.

$P$ =the rate of glass production (kg/h), determined by dividing the weight (kg) of glass pulled from the furnace during the emission test by the number of hours (h) taken to perform the test under paragraph (d)(2) of this section.

(4) Calculate a correction factor to relate the theoretical and the actual uncontrolled arsenic emission factors as follows:

$$F = R_a + T_i$$

Where:

$F$ =the correction factor.

$R_a$ =the actual uncontrolled arsenic emission factor (g/kg) determined in paragraph (d)(3) of this section.

$T_i$ =the theoretical uncontrolled arsenic emission factor (g/kg) determined in paragraph (c)(1) of this section for the

same glass type for which  $R_a$  was determined.

(5) Determine the uncontrolled arsenic emission rate for the 12-month period, as follows:

$$U = \sum_{i=1}^n \frac{(T_i \times F \times G_i)}{10^6}$$

Where:

$U$ =the uncontrolled arsenic emission rate for the 12-month period (Mg/year).

$T_i$ =the theoretical uncontrolled arsenic emission factor for each arsenic-containing glass type (i) produced during the 12-month period, as calculated in paragraph (c)(1) of this section (g/kg).

$F$ =the correction factor calculated in paragraph (d)(4) of this section.

$G_i$ =the quantity (kg) of each arsenic-containing glass type (i) produced during the 12-month period.

$n$ =the number of arsenic-containing glass types produced during the 12-month period.

(6) If the value determined in paragraph (d)(5) of this section is less than the applicable limit in §61.162(a)(1) or (b)(1), the source is in compliance.

(e) To demonstrate compliance with §61.162(a)(2) or (b)(2), an owner or operator shall:

(1) Conduct emission testing to determine the percent reduction of inorganic arsenic emissions being achieved by the control device, using the following test methods and procedures:

(i) Use Method 108 in appendix B to this part to determine the concentration of arsenic in the gas streams entering and exiting the control device. Conduct three 60-minute test runs, each consisting of simultaneous testing of the inlet and outlet gas streams. The gas streams shall contain all the gas exhausted from the glass melting furnace.

(ii) Use the following methods in appendix A to 40 CFR part 60:

(A) Method 1 for sample and velocity traverses.

(B) Method 2 for velocity and volumetric flowrate.

(C) Method 3 for gas analysis.

(D) For sources equipped with positive pressure fabric filters, use Section 4 of Method 5D to determine a suitable sampling location and procedure.

(2) Calculate the percent emission reduction for each run as follows:



$$D = \frac{(C_b - C_a) \times 100}{C_b}$$

Where:

D= the percent emission reduction.

C<sub>b</sub>= the arsenic concentration of the stack gas entering the control device, as measured by Method 108.

C<sub>a</sub>= the arsenic concentration of the stack gas exiting the control device, as measured by Method 108.

(3) Determine the average percent reduction of arsenic by calculating the arithmetic mean of the results for the three runs. If it is at least 85 percent, the source is in compliance.

[51 FR 28025, Aug. 4, 1986; 51 FR 35355, Oct. 3, 1986, as amended at 55 FR 22027, May 31, 1990]

**§ 61.165 Reporting and recordkeeping requirements.**

(a) Each owner or operator of a source subject to the requirements of § 61.162 shall maintain at the source for a period of at least 2 years and make available to the Administrator upon request a file of the following records:

(1) All measurements, including continuous monitoring for measurement of opacity, and temperature of gas entering a control device;

(2) Records of emission test data and all calculations used to produce the required reports of emission estimates to demonstrate compliance with § 61.162;

(3) All continuous monitoring system performance evaluations, including calibration checks and adjustments;

(4) The occurrence and duration of all startups, shutdowns, and malfunctions of the furnace;

(5) All malfunctions of the air pollution control system;

(6) All periods during which any continuous monitoring system or monitoring device is inoperative;

(7) all records of maintenance and repairs for each air pollution control system, continuous monitoring system, or monitoring device;

(b) Each owner or operator who is given approval by the Administrator to bypass a control device under paragraph (e) of this section shall maintain at the source for a period of at least 2 years and make available to the Administrator upon request a file of the following records:

(1) The dates the control device is bypassed; and

(2) Steps taken to minimize arsenic emissions during the period the control device was bypassed.

(c) Each owner or operator of a source subject to the emission limit in § 61.162(a)(1) or (b)(1) shall determine and record at the end of every 6 months the uncontrolled arsenic emission rate for the preceding and forthcoming 12-month periods. The determinations shall:

(1) Be made by following the procedures in § 61.164(c)(1), (c)(2), and (c)(3); or in § 61.164(d)(5), whichever is applicable; and

(2) Take into account changes in production rates, types of glass produced, and other factors that would affect the uncontrolled arsenic emission rate.

(d) Each owner or operator of a source subject to the provisions of this subpart shall:

(1) Provide the Administrator 30 days prior notice of any emission test required in § 61.164 to afford the Administrator the opportunity to have an observer present; and

(2) Submit to the Administrator a written report of the results of the emission test and associated calculations required in § 61.164(d) or (e), as applicable, within 60 days after conducting the test.

(3) Submit to the Administrator a written report of the arsenic emission estimates calculated under § 61.164(c):

(i) Within 45 days after the effective date of this subpart for a source that has an initial startup date preceding the effective date; or

(ii) Within 45 days after startup for a source that has an initial startup date after the effective date.

(4) Submit to the Administrator a written report of the uncontrolled arsenic emission rates determined in accordance with paragraph (c) of this section, if:

(i) The emission rate for the preceding 12-month period (or preceding 6-month period for the first 6-month determination) exceeded the applicable limit in § 61.162(a)(1) or (b)(1).

(ii) The emission rate for the forthcoming 12-month period will exceed the applicable limit in § 61.162(a)(1) or

## §61.170

## 40 CFR Ch. I (7-1-00 Edition)

(b)(1). In this case, the owner or operator shall also notify the Administrator of the anticipated date of the emission test to demonstrate compliance with the applicable limit in §61.162(a)(2) or (b)(2).

(5) Ensure that the reports required in paragraph (d)(4) of this section are postmarked by the tenth day following the end of the 6-month reporting period.

(e) To obtain approval to bypass a control device, as provided in §61.162(c), an owner or operator of a source subject to this subpart may make written application to the Administrator. Each application for such a waiver shall be submitted to the Administrator no later than 60 days before the bypass period would begin and shall include:

(1) Name and address of the owner or operator;

(2) Location of the source;

(3) A brief description of the nature, size, design, and method of operation of the source;

(4) The reason it is necessary to bypass the control device;

(5) The length of time it will be necessary to by-pass the control device;

(6) Steps that will be taken to minimize arsenic emissions during the period the control device will be bypassed.

(7) The quantity of emissions that would be released while the control device is by-passed if no steps were taken to minimize emissions;

(8) The expected reduction in emissions during the by-pass period due to the steps taken to minimize emissions during this period; and

(9) The type of glass to be produced during the bypass period, and, if applicable, an explanation of why non-arsenic or lower-arsenic-containing glass cannot be melted in the furnace during the bypass period.

(f) Each owner or operator required to install and operate a continuous opacity monitoring system under §61.163 shall:

(1) Submit a written report to the Administrator of the results of the continuous monitoring system evaluation required under §61.163(b) within 60 days after conducting the evaluation.

(2) Submit a written report to the Administrator every 6 months if excess

opacity occurred during the preceding 6-month period. For purposes of this paragraph, an occurrence of excess opacity is any 6-minute period during which the average opacity, as measured by the continuous monitoring system, exceeds the opacity level determined under §61.163(c)(3) or the opacity level redetermined under §61.163(d).

(3) Ensure that any semiannual report of excess opacity required by paragraph (f)(2) of this section is postmarked by the thirtieth day following the end of the 6-month period and includes the following information:

(i) The magnitude of excess opacity, any conversion factor(s) used, and the date and time of commencement and completion of each occurrence of excess opacity.

(ii) Specific identification of each occurrence of excess opacity that occurs during startups, shutdowns, and malfunctions of the source.

(iii) The date and time identifying each period during which the continuous monitoring system was inoperative, except for zero and span checks, and the nature of the system repairs or adjustments.

### Subpart O—National Emission Standard for Inorganic Arsenic Emissions From Primary Copper Smelters

SOURCE: 51 FR 28029, Aug. 4, 1986, unless otherwise noted.

#### §61.170 Applicability and designation of source.

The provisions of this subpart are applicable to each copper converter at any new or existing primary copper smelter, except as noted in §61.172(a).

#### §61.171 Definitions.

All terms used in this subpart shall have the meanings given to them in the Act, in subpart A of part 61, and in this section as follows:

*Blowing* means the injection of air or oxygen-enriched air into a molten converter bath.

*Charging* means the addition of a molten or solid material to a copper converter.

## Environmental Protection Agency

## § 61.172

*Control device* means the air pollution control equipment used to collect particulate matter emissions.

*Converter arsenic charging rate* means the hourly rate at which arsenic is charged to the copper converters in the copper converter department based on the arsenic content of the copper matte and of any lead matte that is charged to the copper converters.

*Copper converter* means any vessel in which copper matte is charged and is oxidized to copper.

*Copper converter department* means all copper converters at a primary copper smelter.

*Copper matte* means any molten solution of copper and iron sulfides produced by smelting copper sulfide ore concentrates or calcines.

*Holding of a copper converter* means suspending blowing operations while maintaining in a heated state the molten bath in the copper converter.

*Inorganic arsenic* means the oxides and other noncarbon compounds of the element arsenic included in particulate matter, vapors, and aerosols.

*Lead matte* means any molten solution of copper and other metal sulfides produced by reduction of sinter product from the oxidation of lead sulfide ore concentrates.

*Malfunction* means any sudden failure of air pollution control equipment or process equipment or of a process to operate in a normal or usual manner so that emissions of inorganic arsenic are increased.

*Opacity* means the degree to which emissions reduce the transmission of light.

*Particulate matter* means any finely divided solid or liquid material, other than uncombined water, as measured by the specified reference method.

*Pouring* means the removal of blister copper from the copper converter bath.

*Primary copper smelter* means any installation or intermediate process engaged in the production of copper from copper-bearing materials through the use of pyrometallurgical techniques.

*Primary emission control system* means the hoods, ducts, and control devices used to capture, convey, and collect process emissions.

*Process emissions* means inorganic arsenic emissions from copper converters

that are captured directly at the source of generation.

*Secondary emissions* means inorganic arsenic emissions that escape capture by a primary emission control system.

*Secondary hood system* means the equipment (including hoods, ducts, fans, and dampers) used to capture and transport secondary inorganic arsenic emissions.

*Shutdown* means the cessation of operation of a stationary source for any reason.

*Skimming* means the removal of slag from the molten converter bath.

### § 61.172 Standard for new and existing sources.

(a) The provisions of paragraphs (b)-(f) of this section do not apply to any copper converter at a facility where the total arsenic charging rate for the copper converter department averaged over a 1-year period is less than 75 kg/h, as determined under § 61.174(f).

(b) The owner or operator of each copper converter subject to the provisions of this subpart shall reduce inorganic arsenic emissions to the atmosphere by meeting the following design, equipment, work practice, and operational requirements:

(1) Install, operate, and maintain a secondary hood system on each copper converter. Each secondary hood system shall consist of a hood enclosure, air curtain fan(s), exhaust system fan(s), and ductwork that conveys the captured emissions to a control device, and shall meet the following specifications:

(i) The configuration and dimensions of the hood enclosure shall be such that the copper converter mouth, charging ladles, skimming ladles, and any other material transfer vessels used will be housed within the confines or influence of the hood enclosure during each mode of copper converter operation.

(ii) The back of the hood enclosure shall be fully enclosed and sealed against the primary hood. Portions of the side-walls in contact with the copper converter shall be sealed against the converter.

(iii) Openings in the top and front of the hood enclosure to allow for the entry and egress of ladles and crane

appartus shall be minimized to the fullest extent practicable.

(iv) The hood enclosure shall be fabricated in such a manner and of materials of sufficient strength to withstand incidental contact with ladles and crane apparatus with no significant damage.

(v) One side-wall of the hood enclosure shall be equipped with a horizontal-slotted plenum along the top, and the opposite side-wall shall be equipped with an exhaust hood. The horizontal-slotted plenum shall be designed to allow the distance from the base to the top of the horizontal slot to be adjustable up to a dimension of 76 mm.

(vi) The horizontal-slotted plenum shall be connected to a fan. When activated, the fan shall push air through the horizontal slot, producing a horizontal air curtain above the copper converter that is directed to the exhaust hood. The fan power output installed shall be sufficient to overcome static pressure losses through the ductwork upstream of the horizontal-slotted plenum and across the plenum, and to deliver at least 22,370 watts (30 air horsepower) at the horizontal-slotted plenum discharge.

(vii) The exhaust hood shall be sized to completely intercept the airstream from the horizontal-slotted plenum combined with the additional airflow resulting from entrainment of the surrounding air. The exhaust hood shall be connected to a fan. When activated, the fan shall pull the combined airstream into the exhaust hood.

(viii) The entire secondary hood system shall be equipped with dampers and instrumentation, as appropriate, so that the desired air curtain and exhaust flow are maintained during each mode of copper converter operation.

(2) Optimize the capture of secondary inorganic arsenic emissions by operating the copper converter and secondary hood system at all times as follows:

(i) *Copper converter.* (A) Increase the air curtain and exhaust flow rates to their optimum conditions prior to raising the primary hood and rolling the copper converter out for charging, skimming, or pouring.

(B) Once rolled out, prior to the commencement of skimming or pouring, hold the copper converter in an idle position until fuming from the molten bath has been minimized.

(C) During skimming, raise the receiving ladle off the ground and position the ladle as close to the copper converter mouth as possible to minimize the drop distance between the converter mouth and the receiving ladle.

(D) Control the rate of flow into the receiving ladle to the extent practicable to minimize fuming.

(E) Upon the completion of each charge, withdraw the charging ladle or vessel used from the confines of the secondary hood in a slow, deliberate manner.

(F) During charging, skimming, or pouring, ensure that the crane block does not disturb the air flow between the horizontal-slotted plenum and the exhaust hood.

(ii) *Secondary hood system.* (A) Operate the secondary hood system under conditions that will result in the maximum capture of inorganic arsenic emissions.

(B) Within 30 days after the effective date of this subpart, or within 30 days after the initial operation of each secondary hood system, whichever comes later, provide to the Administrator a list of operating conditions for the secondary hood system that will result in the maximum capture of inorganic arsenic emissions. This list shall specify the operating parameters for the following:

(1) The dimensions of the horizontal slot.

(2) The velocity of air through the horizontal slot during each mode of converter operation.

(3) The distance from the horizontal slot to the exhaust hood.

(4) The face velocity at the opening of the exhaust hood during each mode of converter operation.

(C) Operate the secondary hood system under the conditions listed in paragraph (b)(2)(ii)(B) of this section, unless otherwise specified by the Administrator.

(D) Notify the Administrator in writing within 30 days if there is any

## Environmental Protection Agency

## § 61.174

change in the operating conditions submitted pursuant to the requirements of paragraph (b)(2)(ii)(B) that will result in any reduction in the maximum capture of inorganic arsenic emissions.

(3) Comply with the following inspection and maintenance requirements after installing the secondary hood system required in paragraph (b)(1) of this section:

(i) At least once every month, visually inspect the components of the secondary hood system that are exposed to potential damage from crane and ladle operation, including the hood enclosure, side- and back-wall hood seals, and the horizontal slot.

(ii) Replace or repair any defective or damaged components of the secondary hood system within 30 days after discovering the defective or damaged components.

(c) No owner or operator of a copper converter subject to the provisions of this subpart shall cause or allow to be discharged into the atmosphere any copper converter secondary emissions that exit from a control device and contain particulate matter in excess of 11.6 milligrams per dry standard cubic meter.

(d) The owner or operator of a copper converter subject to the provisions of this subpart shall submit a description of a plan for control of inorganic arsenic emissions from the copper converter and associated air pollution control equipment. This plan shall be submitted within 90 days after the effective date of this subpart, unless a waiver of compliance is granted under § 61.11. If a waiver of compliance is granted, the plan shall be submitted on a date set by the Administrator. Approval of the plan will be granted by the Administrator provided he finds that:

(1) It includes a systematic procedure for identifying malfunctions and for reporting them immediately to smelter supervisory personnel.

(2) It specifies the procedures that will be followed to ensure that equipment or process breakdowns due entirely or in part to poor maintenance or other preventable conditions do not occur.

(3) It specifies the measures that will be taken to ensure compliance with paragraph (b)(2) of this section.

(e) The owner or operator shall implement the plan required under paragraph (d) of this section unless otherwise specified by the Administrator.

(f) At all times, including periods of startup, shutdown, and malfunction, the owner or operator of a copper converter subject to the provisions of this subpart shall operate and maintain the converter and associated air pollution control equipment in a manner consistent with good air pollution control practice for minimizing emissions of inorganic arsenic to the atmosphere to the maximum extent practicable. Determination of whether acceptable operating and maintenance procedures are being used will be based on information available to the Administrator, which may include, but is not limited to, monitoring results, review of operating and maintenance procedures, inspection of the source, and review of other records.

### § 61.173 Compliance provisions.

(a) The owner or operator of each copper converter to which § 61.172(b)—(f) applies shall demonstrate compliance with the requirements of § 61.172(b)(1) as follows:

(1) The owner or operator of each existing copper converter shall install a secondary hood system to meet the requirements of § 61.172(b)(1) no later than 90 days after the effective date, unless a waiver of compliance has been approved by the Administrator in accordance with § 61.11.

(2) The owner or operator of each new copper converter shall install a secondary hood system to meet the requirements of § 61.172(b)(1) prior to the initial startup of the converter, except that if startup occurs prior to the effective date, the owner or operator shall meet the requirements of § 61.172(b)(1) on the effective date.

### § 61.174 Test methods and procedures.

(a) To determine compliance with § 61.172(c), the owner or operator shall conduct emission tests and reduce the test data in accordance with the test methods and procedures contained in this section unless the Administrator:

§61.174

40 CFR Ch. I (7-1-00 Edition)

(1) Specifies or approves, in specific cases, the use of a reference method with minor changes in methodology,

(2) Approves the use of an equivalent method,

(3) Approves the use of an alternative method, the results of which he has determined to be adequate for indicating whether a specific source is in compliance, or

(4) Waives the requirement for emission tests as provided in §61.13.

(b) The owner or operator shall conduct the emission tests required in paragraph (a) of this section:

(1) After achieving the optimum operating conditions submitted under §60.172(b)(2)(ii)(B) for the equipment required in §61.172(b)(1), but no later than 90 days after the effective date of this subpart in the case of an existing copper converter or a copper converter that has an initial startup date preceding the effective date, or

(2) After achieving the optimum operating conditions submitted under §60.172(b)(2)(ii)(B) for the equipment required in §61.172(b)(1), but no later than 90 days after startup in the case of a new copper converter, initial startup of which occurs after the effective date, or

(3) At such other times as may be required by the Administrator under section 114 of the Act.

(c) The owner or operator shall conduct each emission test under representative operating conditions and at sample locations subject to the Administrator's approval, and shall make available to the Administrator such records as may be necessary to determine the conditions of the emission test.

(d) For the purpose of determining compliance with §61.172(c), the owner or operator shall use reference methods in 40 CFR part 60, appendix A, as follows:

(1) Method 5 for the measurement of particulate matter,

(2) Method 1 for sample and velocity traverses,

(3) Method 2 for velocity and volumetric flow rate,

(4) Method 3 for gas analysis, and

(5) Method 4 for stack gas moisture.

(e) For Method 5, the sampling time for each run shall be at least 60 min-

utes and the minimum sampling volume shall be 0.85 dscm (30 dscf) except that smaller times or volumes when necessitated by process variables or other factors may be approved by the Administrator.

(f) For the purpose of determining applicability under §61.172(a), the owner or operator shall determine the converter arsenic charging rate as follows:

(1) Collect daily grab samples of copper matte and any lead matte charged to the copper converters.

(2) Each calendar month, from the daily grab samples collected under paragraph (f)(1) of this section, put together a composite copper matte sample and a composite lead matte sample. Analyze the composite samples individually using Method 108A, 108B, or 108C to determine the weight percent of inorganic arsenic contained in each sample.

(3) Calculate the converter arsenic charging rate once per month using the following equation:

$$R_c = \sum_{i=1}^n \frac{A_c W_{ci} + A_l W_{li}}{100 H_c}$$

Where:

$R_c$  is the converter arsenic charging rate (kg/h).

$A_c$  is the monthly average weight percent of arsenic in the copper matte charged during the month (%) as determined under paragraph (f)(2) of this section.

$A_l$  is the monthly average weight percent of arsenic in the lead matte charged during the month (%) as determined under paragraph (f)(2) of this section.

$W_{ci}$  is the total weight of copper matte charged to a copper converter during the month (kg).

$W_{li}$  is the total weight of lead matte charged to a copper converter during the month (kg).

$H_c$  is the total number of hours the copper converter department was in operation during the month (h).

$n$  is the number of copper converters in operation during the month.

(4) Determine an annual arsenic charging rate for the copper converter department once per month by computing the arithmetic average of the 12 monthly converter arsenic charging rate values ( $R_c$ ) for the preceding 12-month period.

(g) An owner or operator may petition the Administrator for a modified

## Environmental Protection Agency

## § 61.175

sampling and analysis schedule if analyses performed for the first 12-month period after the effective date show the source to be considerably below the applicability limit prescribed in § 61.172(a).

[51 FR 28029, Aug. 4, 1986, as amended at 55 FR 22027, May 31, 1990]

### § 61.175 Monitoring requirements.

(a) Each owner or operator of a source that is subject to the emission limit specified in § 61.172(c) shall install, calibrate, maintain, and operate a continuous monitoring system for the measurement of the opacity of emissions discharged from the control device according to the following procedures:

(1) Ensure that each system is installed and operational no later than 90 days after the effective date of this subpart for a source that has an initial startup date preceding the effective date; and no later than 90 days after startup for other sources. Verification of the operational status shall, as a minimum, consist of an evaluation of the monitoring system in accordance with the requirements and procedures contained in Performance Specification 1 of appendix B of 40 CFR part 60.

(2) Comply with the provisions of § 60.13(d) of 40 CFR part 60.

(3) Except for system breakdowns, repairs, calibration checks, and zero span adjustments, ensure that each continuous monitoring system is in continuous operation and meets frequency of operation requirements by completing a minimum of one cycle of sampling and analysis for each successive 10-second period and one cycle of data recording for each successive 6-minute period. Each data point shall represent the opacity measured for one cycle of sampling and analysis and shall be expressed as percent opacity.

(b) Except as required in paragraph (c) of this section, calculate 1-hour opacity averages from 360 or more consecutive data points equally spaced over each 1-hour period. Data recorded during periods of monitoring system breakdowns, repairs, calibration checks, and zero and span adjustments shall not be included in the data averages computed under this paragraph.

(c) No later than 60 days after each continuous opacity monitoring system required in paragraph (a) of this section becomes operational, the owner or operator shall establish a reference opacity level for each monitored emission stream according to the following procedures:

(1) Conduct continuous opacity monitoring over a preplanned period of not less than 36 hours during which the processes and emission control equipment upstream of the monitoring system are operating under representative operating conditions subject to the Administrator's approval. This period shall include the time during which the emission test required by § 61.13 is conducted.

(2) Calculate 6-minute averages of the opacity readings using 36 or more consecutive data points equally spaced over each 6-minute period.

(3) Calculate 1-hour average opacity values using 10 successive 6-minute average opacity values (i.e., calculate a new 1-hour average opacity value every 6 minutes). Determine the highest 1-hour average opacity value observed during the 36-hour preplanned test period.

(4) Calculate the reference opacity level by adding 5 percent opacity to the highest 1-hour average opacity calculated in paragraph (c)(3) of this section.

(d) The owner or operator may redetermine the reference opacity level for the copper converter secondary emission stream at the time of each emission test that demonstrates compliance with the emission limit required in § 61.172(c) according to the provisions of paragraphs (c)(1) through (c)(4) of this section.

(e) With a minimum of 30 days prior notice, the Administrator may require the owner or operator to redetermine the reference opacity level for any monitored emission stream.

(f) Each owner or operator who is required to install the equipment specified in § 61.172(b)(1) for the capture of secondary copper converter emissions shall install, calibrate, maintain, and operate a continuous monitoring device on each secondary hood system for the measurement of the air flow through the horizontal-slotted plenum

## §61.176

## 40 CFR Ch. I (7-1-00 Edition)

and through the exhaust hood. Each device shall be installed and operational no later than 90 days after the effective date of this subpart for a source that has an initial startup preceding the effective date; and no later than 90 days after startup for other sources.

(g) Each owner or operator subject to the requirements in paragraph (f) of this section shall establish for each secondary hood system reference air flow rates for the horizontal-slotted plenum and exhaust hood for each mode of converter operation. The reference flow rates shall be established when the equipment is operating under the optimum operating conditions required in §61.172(b)(2)(ii).

(h) Each owner or operator shall install the continuous monitoring systems and monitoring devices required in paragraphs (a) and (f) of this section in such a manner that representative measurements of emissions and process parameters are obtained.

### §61.176 Recordkeeping requirements.

(a) Each owner or operator subject to the requirements of §61.172(b)(1) shall maintain at the source for a period of at least 2 years records of the visual inspections, maintenance, and repairs performed on each secondary hood system as required in §61.172(b)(3).

(b) Each owner or operator subject to the provisions of §61.172(c) shall maintain at the source for a period of at least 2 years and make available to the Administrator upon request a file of the following records:

(1) All measurements, including continuous monitoring for measurement of opacity;

(2) Records of emission test data and all calculations used to produce the required reports of emission estimates to demonstrate compliance with §61.172(c);

(3) All continuous monitoring system performance evaluations, including calibration checks and adjustments;

(4) The occurrence and duration of all startups, shutdowns, and malfunctions of the copper converters;

(5) All malfunctions of the air pollution control system;

(6) All periods during which any continuous monitoring system or device is inoperative;

(7) All maintenance and repairs performed on each air pollution control system, continuous monitoring system, or monitoring device;

(8) All records of 1-hour average opacity levels for each separate control device; and

(9) For each secondary hood system:

(i) The reference flow rates for the horizontal-slotted plenum and exhaust hood for each converter operating mode established under §61.175(g);

(ii) The actual flow rates; and

(iii) A daily log of the start time and duration of each converter operating mode.

(c) Each owner or operator subject to the provisions of this subpart shall maintain at the source for a period of at least 2 years and make available to the Administrator upon request the following records:

(1) For each copper converter, a daily record of the amount of copper matte and lead matte charged to the copper converter and the total hours of operation.

(2) For each copper converter department, a monthly record of the weight percent of arsenic contained in the copper matte and lead matte as determined under §61.174(f).

(3) For each copper converter department, the monthly calculations of the average annual arsenic charging rate for the preceding 12-month period as determined under §61.174(f).

### §61.177 Reporting requirements.

(a) Each owner or operator subject to the provisions of §61.172(c) shall:

(1) Provide the Administrator 30 days prior notice of the emission test required in §61.174(a) to afford the Administrator the opportunity to have an observer present; and

(2) Submit to the Administrator a written report of the results of the emission test required in §61.174(a) within 60 days after conducting the test.

(b) Each owner or operator subject to the provisions of §61.175(a) shall provide the Administrator at least 30 days prior notice of each reference opacity level determination required in



## Environmental Protection Agency

## § 61.180

§61.175(c) to afford the Administrator the opportunity to have an observer present.

(c) Each owner or operator subject to the provisions of §61.175(a) shall submit to the Administrator:

(1) Within 60 days after conducting the evaluation required in §61.175(a)(1), a written report of the continuous monitoring system evaluation;

(2) Within 30 days after establishing the reference opacity level required in §61.175(c), a written report of the reference opacity level. The report shall also include the opacity data used and the calculations performed to determine the reference opacity level, and sufficient documentation to show that process and emission control equipment were operating normally during the reference opacity level determination; and

(3) A written report each quarter of each occurrence of excess opacity during the quarter. For purposes of this paragraph, an occurrence of excess opacity is any 1-hour period during which the average opacity, as measured by the continuous monitoring system, exceeds the reference opacity level established under §61.175(c).

(d) The owner or operator subject to the provisions of §61.175(g) shall submit to the Administrator:

(1) A written report of the reference air flow rate within 30 days after establishing the reference air flow rates required in §61.175(g);

(2) A written report each quarter of all air flow rates monitored during the preceding 3-month period that are less than 80 percent of the corresponding reference flow rate established for each converter operating mode; and

(3) A written report each quarter of any changes in the operating conditions of the emission capture system, emission control device, or the building housing the converters that might increase fugitive emissions.

(e) All quarterly reports shall be postmarked by the 30th day following the end of each 3-month period and shall include the following information:

(1) The magnitude of each occurrence of excess opacity, any conversion factor(s) used, and the dates and times of commencement and completion of each

occurrence of excess opacity, the cause of each exceedance of the reference opacity level, and the measures taken to minimize emissions.

(2) The magnitude of each occurrence of reduced flow rate and the date and time of commencement and completion of each occurrence of reduced flow rate, the cause of the reduced flow rate, and the associated converter operating mode.

(3) Specific identification of each occurrence of excess opacity or reduced flow rate that occurs during startups, shutdowns, and malfunctions of the source.

(4) The date and time identifying each period during which the continuous monitoring system or monitoring device was inoperative, except for zero and span checks, and the nature of the system repairs or adjustments.

(5) Specific identification of each change in operating conditions of the emission capture system or control device, or in the condition of the building housing the converters.

(f) Each owner or operator of a source subject to the provisions of this subpart shall submit annually a written report to the Administrator that includes the monthly computations of the average annual converter arsenic charging rate as calculated under §61.174(f)(4). The annual report shall be postmarked by the 30th day following the end of each calendar year.

### Subpart P—National Emission Standard for Inorganic Arsenic Emissions From Arsenic Trioxide and Metallic Arsenic Production Facilities

SOURCE: 51 FR 28033, Aug. 4, 1986, unless otherwise noted.

#### §61.180 Applicability and designation of sources.

The provisions of this subpart are applicable to each metallic arsenic production plant and to each arsenic trioxide plant that processes low-grade arsenic bearing materials by a roasting condensation process.

**§ 61.181 Definitions.**

All terms used in this subpart shall have the meanings given them in the Act, in subpart A of part 61, and in this section as follows:

*Arsenic kitchen* means a baffled brick chamber where inorganic arsenic vapors are cooled, condensed, and removed in a solid form.

*Control device* means the air pollution control equipment used to collect particulate matter emissions.

*Curtail* means to cease operations to the extent technically feasible to reduce emissions.

*Inorganic arsenic* means the oxides and other noncarbon compounds of the element arsenic included in particulate matter, vapors, and aerosols.

*Malfunction* means any sudden failure of air pollution control equipment or process equipment or of a process to operate in a normal or usual manner so that emissions of inorganic arsenic are increased.

*Opacity* means the degree to which emissions reduce the transmission of light.

*Primary emission control system* means the hoods, enclosures, ducts, and control devices used to capture, convey, and remove particulate matter from exhaust gases which are captured directly at the source of generation.

*Process emissions* means inorganic arsenic emissions that are captured and collected in a primary emission control system.

*Roasting* means the use of a furnace to heat arsenic plant feed material for the purpose of eliminating a significant portion of the volatile materials contained in the feed.

*Secondary emissions* means inorganic arsenic emissions that escape capture by a primary emission control system.

*Shutdown* means the cessation of operation of a stationary source for any purpose.

[51 FR 28033, Aug. 4, 1986; 51 FR 35355, Oct. 3, 1986]

**§ 61.182 Standard for new and existing sources.**

(a) Within 30 days after the effective date of this subpart, the owner or operator of each source to which this subpart applies shall identify and submit to the Administrator a list of potential

sources (equipment and operations) of inorganic arsenic emissions.

(b) The owner or operator shall submit a description of an inspection, maintenance, and housekeeping plan for control of inorganic arsenic emissions from the potential sources identified under paragraph (a) of this section. This plan shall be submitted within 90 days after the effective date of this subpart, unless a waiver of compliance is granted under § 61.11. If a waiver of compliance is granted, the plan shall be submitted on a date set by the Administrator. Approval of the plan will be granted by the Administrator provided he finds that:

(1) It achieves the following objectives in a manner that does not cause adverse impacts in other environmental media:

(i) Clean-up and proper disposal, wet-down, or chemical stabilization to the extent practicable (considering access and safety) of any dry, dusty material having an inorganic arsenic content greater than 2 percent that accumulates on any surface within the plant boundaries outside of a dust-tight enclosure.

(ii) Immediate clean-up and proper disposal, wet-down, or chemical stabilization of spills of all dry, dusty material having an inorganic arsenic content greater than 2 percent.

(iii) Minimization of emissions of inorganic arsenic to the atmosphere during removal of inorganic arsenic from the arsenic kitchen and from flue pulling operations by properly handling, wetting down, or chemically stabilizing all dusts and materials handled in these operations.

(2) It includes an inspection program that requires all process, conveying, and air pollution control equipment to be inspected at least once per shift to ensure that the equipment is being properly operated and maintained. The program will specify the evaluation criteria and will use a standardized checklist, which will be included as part of the plan required in paragraph (b) of this section, to document the inspection, maintenance, and housekeeping status of the equipment and that the objectives of paragraph (b)(1) of this section are being achieved.

## Environmental Protection Agency

## § 61.183

(3) It includes a systematic procedure for identifying malfunctions and for reporting them immediately to supervisory personnel.

(4) It specifies the procedures that will be followed to ensure that equipment or process malfunctions due entirely or in part to poor maintenance or other preventable conditions do not occur.

(5) It includes a program for curtailing all operations necessary to minimize any increase in emissions of inorganic arsenic to the atmosphere resulting from a malfunction. The program will describe:

(i) The specific steps that will be taken to curtail each operation as soon as technically feasible after the malfunction is discovered.

(ii) The minimum time required to curtail each operation.

(iii) The procedures that will be used to ensure that the curtailment continues until after the malfunction is corrected.

(c) The owner or operator shall implement the plan required in paragraph (b) of this section until otherwise specified by the Administrator.

(d) At all times, including periods of startup, shutdown, and malfunction, the owner or operator of each source to which this subpart applies shall operate and maintain the source including associated air pollution control equipment in a manner consistent with good air pollution control practice for minimizing emissions of inorganic arsenic to the atmosphere to the maximum extent practicable. Determination of whether acceptable operating and maintenance procedures are being used will be based on information available to the Administrator, which may include, but is not limited to, monitoring results, review of operating and maintenance procedures, inspection of the source, and review of other records.

### § 61.183 Emission monitoring.

(a) The owner or operator of each source subject to the provisions of this subpart shall install, calibrate, maintain, and operate a continuous monitoring system for the measurement of the opacity of each arsenic trioxide and metallic arsenic process emission

stream that exits from a control device.

(b) The owner or operator shall install, operate, and maintain each continuous monitoring system for the measurement of opacity required in paragraph (a) of this section according to the following procedures:

(1) Ensure that each system is installed and operational no later than 90 days after the effective date of this subpart for an existing source or a new source that has an initial startup date preceding the effective date. For a new source whose initial startup occurs after the effective date of this subpart, ensure that the system is installed and operational no later than 90 days after startup. Verification of the operational status shall, as a minimum, consist of an evaluation of the monitoring system in accordance with the requirements and procedures contained in Performance Specification 1 of appendix B of 40 CFR part 60.

(2) Comply with the provisions of § 60.13(d) of 40 CFR part 60.

(3) Except for system breakdowns, repairs, calibration checks, and zero and span adjustments required under § 60.13(d), ensure that each continuous monitoring system is in continuous operation and meets frequency of operation requirements by completing a minimum of one cycle of sampling and analysis for each successive 10-second period and one cycle of data recording for each successive 6-minute period. Each data point shall represent the opacity measured for one cycle of sampling and analysis and shall be expressed as percent opacity.

(c) The owner or operator shall calculate 6-minute opacity averages from 36 or more consecutive data points equally spaced over each 6-minute period. Data recorded during periods of monitoring system breakdowns, repairs, calibration checks, and zero and span adjustments shall not be included in the data averages computed under this paragraph.

(d) No later than 60 days after each continuous opacity monitoring system required in paragraph (a) of this section becomes operational, the owner or operator shall establish a reference

**§61.184**

**40 CFR Ch. I (7-1-00 Edition)**

opacity level for each monitored emission stream according to the following procedures:

(1) Conduct continuous opacity monitoring over a preplanned period of not less than 36 hours during which the processes and emission control equipment upstream of the monitoring system are operating in a manner that will minimize opacity under representative operating conditions subject to the Administrator's approval.

(2) Calculate 6-minute averages of the opacity readings using 36 or more consecutive data points equally spaced over each 6-minute period.

(3) Establish the reference opacity level by determining the highest 6-minute average opacity calculated under paragraph (d)(2) of this section.

(e) With a minimum of 30 days prior notice, the Administrator may require an owner or operator to redetermine the reference opacity level for any monitored emission stream.

(f) Each owner or operator shall install all continuous monitoring systems or monitoring devices required in paragraph (a) of this section in such a manner that representative measurements of emissions or process parameters are obtained.

**§61.184 Ambient air monitoring for inorganic arsenic.**

(a) The owner or operator of each source to which this subpart applies shall operate a continuous monitoring system for the measurement of inorganic arsenic concentrations in the ambient air.

(b) The ambient air monitors shall be located at sites to detect maximum concentrations of inorganic arsenic in the ambient air in accordance with a plan approved by the Administrator that shall include the sampling and analytical method used.

(c) The owner or operator shall submit a written plan describing, and explaining the basis for, the design and adequacy of the monitoring network, sampling and analytical procedures, and quality assurance within 45 days after the effective date of this subpart.

(d) Each monitor shall be operated continuously except for a reasonable time allowance for instrument maintenance and calibration, for changing fil-

ters, or for replacement of equipment needing major repair.

(e) Filters shall be changed daily and shall be analyzed and concentrations calculated within 30 days after filters are collected.

(f) The Administrator at any time may require changes in, or expansion of, the sampling program, including sampling and analytical protocols and network design.

**§61.185 Recordkeeping requirements.**

(a) Each owner or operator of a source subject to the provisions of this subpart shall maintain at the source for a period of at least 2 years the following records: All measurements, including continuous monitoring for measurement of opacity; all continuous monitoring system performance evaluations, including calibration checks and adjustments; all periods during which the continuous monitoring system or monitoring device is inoperative; and all maintenance and repairs made to the continuous monitoring system or monitoring device.

(b) Each owner or operator shall maintain at the source for a period of at least 2 years a log for each plant department in which the operating status of process, conveying, and emission control equipment is described for each shift. For malfunctions and upsets, the following information shall be recorded in the log:

(1) The time of discovery.

(2) A description of the malfunction or upset.

(3) The time corrective action was initiated.

(4) A description of corrective action taken.

(5) The time corrective action was completed.

(6) A description of steps taken to reduce emissions of inorganic arsenic to the atmosphere between the time of discovery and the time corrective action was taken.

(c) Each owner or operator subject to the provisions of this subpart shall maintain for a period of at least 2 years records of 6-minute average opacity levels for each separate control device.

(d) Each owner or operator subject to the provisions of §61.186 shall maintain for a period of at least 2 years records

## Environmental Protection Agency

of ambient inorganic arsenic concentrations at all sampling sites and other data needed to determine such concentrations.

### § 61.186 Reporting requirements.

(a) Each owner or operator subject to the provisions of § 61.183(a) shall provide the Administrator at least 30 days prior notice of each reference opacity level determination required in § 61.183(a) to afford the Administrator the opportunity to have an observer present.

(b) Each owner or operator subject to the provisions of § 61.183(a) shall submit to the Administrator:

(1) Within 60 days of conducting the evaluation required in § 61.183(b)(1), a written report of the continuous monitoring system evaluation;

(2) Within 30 days of establishing the reference opacity level required in § 61.183(d), a written report of the reference opacity level. The report shall also include the opacity data used and the calculations performed to determine the reference opacity level, and sufficient documentation to show that process and emission control equipment were operating normally during the reference opacity level determination; and

(3) A written report each quarter of each occurrence of excess opacity during the quarter. For the purposes of this paragraph, an occurrence of excess opacity is any 6-minute period during which the average opacity, as measured by the continuous monitoring system, exceeds the reference opacity level established under § 61.183(d).

(c) All quarterly reports of excess opacity shall be postmarked by the 30th day following the end of each quarter and shall include the following information:

(1) The magnitude of excess opacity, any conversion factor(s) used, and the dates and times of commencement and completion of each occurrence of excess opacity, the cause of each exceedance of the reference opacity level, and the measures taken to minimize emissions.

(2) Specific identification of each period of excess opacity that occurred during startups, shutdowns, and malfunctions of the source.

## § 61.190

(3) The date and time identifying each period during which the continuous monitoring system or monitoring device was inoperative, except for zero and span checks, and the nature of the system repairs or adjustments.

(d) Each owner or operator subject to this subpart shall submit a written report semiannually to the Administrator that describes the status and results, for the reporting period, of any pilot plant studies on alternative arsenic trioxide production processes. Conclusions and recommendations of the studies shall also be reported.

(e) All semiannual progress reports required in paragraph (d) of this section shall be postmarked by the 30th day following the end of each 6-month period.

(f) Each owner or operator of a source to which this subpart applies shall submit a written report each quarter to the Administrator that includes the following information:

(1) All ambient inorganic arsenic concentrations measured at all monitoring sites in accordance with § 61.184.

(2) A description of any modifications to the sampling network, during the reporting period, including any major maintenance, site changes, calibrations, and quality assurance information including sampling and analytical precision and accuracy estimates.

(g) All quarterly reports required in paragraph (f) of this section shall be postmarked by the 30th day following the end of each quarter.

## Subpart Q—National Emission Standards for Radon Emissions From Department of Energy Facilities

SOURCE: 54 FR 51701, Dec. 15, 1989, unless otherwise noted.

### § 61.190 Designation of facilities.

The provisions of this subpart apply to the design and operation of all storage and disposal facilities for radium-containing material (i.e., byproduct material as defined under section 11.e(2) of the Atomic Energy Act of 1954 (as amended)) that are owned or operated by the Department of Energy that emit radon-222 into air, including these

## § 61.191

facilities: The Feed Materials Production Center, Fernald, Ohio; the Niagara Falls Storage Site, Lewiston, New York; the Weldon Spring Site, Weldon Spring, Missouri; the Middlesex Sampling Plant, Middlesex, New Jersey; the Monticello Uranium Mill Tailings Pile, Monticello, Utah. This subpart does not apply to facilities listed in, or designated by the Secretary of Energy under title I of the Uranium Mill Tailings Control Act of 1978.

### § 61.191 Definitions.

As used in this subpart, all terms not defined here have the meaning given them in the Clean Air Act or subpart A of part 61. The following terms shall have the following specific meanings:

(a) *Facility* means all buildings, structures and operations on one contiguous site.

(b) *Source* means any building, structure, pile, impoundment or area used for interim storage or disposal that is or contains waste material containing radium in sufficient concentration to emit radon-222 in excess of this standard prior to remedial action.

### § 61.192 Standard.

No source at a Department of Energy facility shall emit more than 20 pCi/m<sup>2</sup>-s of radon-222 as an average for the entire source, into the air. This requirement will be part of any Federal Facilities Agreement reached between Environmental Protection Agency and Department of Energy.

### § 61.193 Exemption from the reporting and testing requirements of 40 CFR 61.10.

All facilities designated under this subpart are exempt from the reporting requirements of 40 CFR 61.10.

## Subpart R—National Emission Standards for Radon Emissions From Phosphogypsum Stacks

SOURCE: 57 FR 23317, June 3, 1992, unless otherwise noted.

### § 61.200 Designation of facilities.

The provisions of this subpart apply to each owner or operator of a phosphogypsum stack, and to each person who

## 40 CFR Ch. I (7-1-00 Edition)

owns, sells, distributes, or otherwise uses any quantity of phosphogypsum which is produced as a result of wet acid phosphorus production or is removed from any existing phosphogypsum stack.

### § 61.201 Definitions.

As used in this subpart, all terms not defined here have the meaning given them in the Clean Air Act or subpart A of part 61. The following terms shall have the following specific meanings:

(a) *Inactive stack* means a stack to which no further routine additions of phosphogypsum will be made and which is no longer used for water management associated with the production of phosphogypsum. If a stack has not been used for either purpose for two years, it is presumed to be inactive.

(b) *Phosphogypsum* is the solid waste byproduct which results from the process of wet acid phosphorus production.

(c) *Phosphogypsum stacks or stacks* are piles of waste resulting from wet acid phosphorus production, including phosphate mines or other sites that are used for the disposal of phosphogypsum.

### § 61.202 Standard.

Each person who generates phosphogypsum shall place all phosphogypsum in stacks. Phosphogypsum may be removed from a phosphogypsum stack only as expressly provided by this subpart. After a phosphogypsum stack has become an inactive stack, the owner or operator shall assure that the stack does not emit more than 20 pCi/m<sup>2</sup>-s of radon-222 into the air.

### § 61.203 Radon monitoring and compliance procedures.

(a) Within sixty days following the date on which a stack becomes an inactive stack, or within ninety days after the date on which this subpart first took effect if a stack was already inactive on that date, each owner or operator of an inactive phosphogypsum stack shall test the stack for radon-222 flux in accordance with the procedures described in 40 CFR part 61, appendix B, Method 115. EPA shall be notified at

least 30 days prior to each such emissions test so that EPA may, at its option, observe the test. If meteorological conditions are such that a test cannot be properly conducted, then the owner or operator shall notify EPA and test as soon as conditions permit.

(b)(1) Within ninety days after the testing is required, the owner or operator shall provide EPA with a report detailing the actions taken and the results of the radon-222 flux testing. Each report shall also include the following information:

- (i) The name and location of the facility;
- (ii) A list of the stacks at the facility including the size and dimensions of each stack;
- (iii) The name of the person responsible for the operation of the facility and the name of the person preparing the report (if different);
- (iv) A description of the control measures taken to decrease the radon flux from the source and any actions taken to insure the long term effectiveness of the control measures; and
- (v) The results of the testing conducted, including the results of each measurement.

(2) Each report shall be signed and dated by a corporate officer in charge of the facility and contain the following declaration immediately above the signature line: "I certify under penalty of law that I have personally examined and am familiar with the information submitted herein and based on my inquiry of those individuals immediately responsible for obtaining the information, I believe that the submitted information is true, accurate and complete. I am aware that there are significant penalties for submitting false information including the possibility of fine and imprisonment. See, 18 U.S.C. 1001."

(c) If the owner or operator of an inactive stack chooses to conduct measurements over a one year period as permitted by Method 115 in appendix B to part 61, within ninety days after the testing commences the owner or operator shall provide EPA with an initial report, including the results of the first measurement period and a schedule for all subsequent measurements. An additional report containing all the infor-

mation in §61.203(b) shall be submitted within ninety days after completion of the final measurements.

(d) If at any point an owner or operator of a stack once again uses an inactive stack for the disposal of phosphogypsum or for water management, the stack ceases to be in inactive status and the owner or operator must notify EPA in writing within 45 days. When the owner or operator ceases to use the stack for disposal of phosphogypsum or water management, the stack will once again become inactive and the owner or operator must satisfy again all testing and reporting requirements for inactive stacks.

(e) If an owner or operator removes phosphogypsum from an inactive stack, the owner shall test the stack in accordance with the procedures described in 40 CFR part 61, appendix B, Method 115. The stack shall be tested within ninety days of the date that the owner or operator first removes phosphogypsum from the stack, and the test shall be repeated at least once during each calendar year that the owner or operator removes additional phosphogypsum from the stack. EPA shall be notified at least 30 days prior to an emissions test so that EPA may, at its option, observe the test. If meteorological conditions are such that a test cannot be properly conducted, then the owner shall notify EPA and test as soon as conditions permit. Within ninety days after completion of a test, the owner or operator shall provide EPA with a report detailing the actions taken and the results of the radon-222 flux testing. Each such report shall include all of the information specified by §61.203(b).

**§61.204 Distribution and use of phosphogypsum for outdoor agricultural purposes.**

Phosphogypsum may be lawfully removed from a stack and distributed in commerce for use in outdoor agricultural research and development and agricultural field use if each of the following requirements is satisfied:

(a) The owner or operator of the stack from which the phosphogypsum is removed shall determine annually the average radium-226 concentration at the location in the stack from which

## § 61.205

the phosphogypsum will be removed, as provided by § 61.207.

(b) The average radium-226 concentration at the location in the stack from which the phosphogypsum will be removed, as determined pursuant to § 61.207, shall not exceed 10 picocuries per gram (pCi/g).

(c) All phosphogypsum distributed in commerce for use pursuant to this section by the owner or operator of a phosphogypsum stack shall be accompanied by a certification document which conforms to the requirements of § 61.208(a).

(d) Each distributor, retailer, or reseller who distributes phosphogypsum for use pursuant to this section shall prepare certification documents which conform to the requirements of § 61.208(b).

(e) Use of phosphogypsum for indoor research and development in a laboratory must comply with § 61.205.

[57 FR 23317, June 3, 1992, as amended at 64 FR 5579, Feb. 3, 1999]

### **§ 61.205 Distribution and use of phosphogypsum for indoor research and development.**

(a) Phosphogypsum may be lawfully removed from a stack and distributed in commerce for use in indoor research and development activities, provided that it is accompanied at all times by certification documents which conform to the requirements of § 61.208. In addition, before distributing phosphogypsum to any person for use in indoor research and development activities, the owner or operator of a phosphogypsum stack shall obtain from that person written confirmation that the research facility will comply with all of the limitations set forth in paragraph (b) of this section.

(b) Any person who purchases and uses phosphogypsum for indoor research and development purposes shall comply with all of the following limitations. Any use of phosphogypsum for indoor research and development purposes not consistent with the limitations set forth in this section shall be construed as unauthorized distribution of phosphogypsum.

(1) Each quantity of phosphogypsum purchased by a facility for a particular research and development activity

## 40 CFR Ch. I (7-1-00 Edition)

shall be accompanied by certification documents which conform to the requirements of § 61.208.

(2) No facility shall purchase or possess more than 7,000 pounds of phosphogypsum for a particular indoor research and development activity. The total quantity of all phosphogypsum at a facility, as determined by summing the individual quantities purchased or possessed for each individual research and development activity conducted by that facility, may exceed 7,000 pounds, provided that no single room in which research and development activities are conducted shall contain more than 7,000 pounds.

(3) Containers of phosphogypsum used in indoor research and development activities shall be labeled with the following warning: Caution: Phosphogypsum Contains Elevated Levels of Naturally Occurring Radioactivity.

(4) For each indoor research and development activity in which phosphogypsum is used, the facility shall maintain records which conform to the requirements of § 61.209(c).

(5) Indoor research and development activities must be performed in a controlled laboratory setting which the general public cannot enter except on an infrequent basis for tours of the facility. Uses of phosphogypsum for outdoor agricultural research and development and agricultural field use must comply with § 61.204.

(c) Phosphogypsum not intended for distribution in commerce may be lawfully removed from a stack by an owner or operator to perform laboratory analyses required by this subpart or any other quality control or quality assurance analyses associated with wet acid phosphorus production.

[57 FR 23317, June 3, 1992, as amended at 64 FR 5579, Feb. 3, 1999; 64 FR 53213, Oct. 1, 1999]

### **§ 61.206 Distribution and use of phosphogypsum for other purposes.**

(a) Phosphogypsum may not be lawfully removed from a stack and distributed or used for any purpose not expressly specified in § 61.204 or § 61.205 without prior EPA approval.

(b) A request that EPA approve distribution and/or use of phosphogypsum



## Environmental Protection Agency

## § 61.207

for any other purpose must be submitted in writing and must contain the following information:

(1) The name and address of the person(s) making the request.

(2) A description of the proposed use, including any handling and processing that the phosphogypsum will undergo.

(3) The location of each facility, including suite and/or building number, street, city, county, state, and zip code, where any use, handling, or processing of the phosphogypsum will take place.

(4) The mailing address of each facility where any use, handling, or processing of the phosphogypsum will take place, if different from paragraph (b)(3) of this section.

(5) The quantity of phosphogypsum to be used by each facility.

(6) The average concentration of radium-226 in the phosphogypsum to be used.

(7) A description of any measures which will be taken to prevent the uncontrolled release of phosphogypsum into the environment.

(8) An estimate of the maximum individual risk, risk distribution, and incidence associated with the proposed use, including the ultimate disposition of the phosphogypsum or any product in which the phosphogypsum is incorporated.

(9) A description of the intended disposition of any unused phosphogypsum.

(10) Each request shall be signed and dated by a corporate officer or public official in charge of the facility.

(c) The Assistant Administrator for Air and Radiation may decide to grant a request that EPA approve distribution and/or use of phosphogypsum if he determines that the proposed distribution and/or use is at least as protective of public health, in both the short term and the long term, as disposal of phosphogypsum in a stack or a mine.

(d) If the Assistant Administrator for Air and Radiation decides to grant a request that EPA approve distribution and/or use of phosphogypsum for a specified purpose, each of the following requirements shall be satisfied:

(1) The owner or operator of the stack from which the phosphogypsum is removed shall determine annually the average radium-226 concentration

at the location in the stack from which the phosphogypsum will be removed, as provided by § 61.207.

(2) All phosphogypsum distributed in commerce by the owner or operator of a phosphogypsum stack, or by a distributor, retailer, or reseller, or purchased by the end-user, shall be accompanied at all times by certification documents which conform to the requirements § 61.208.

(3) The end-user of the phosphogypsum shall maintain records which conform to the requirements of § 61.209(c).

(e) If the Assistant Administrator for Air and Radiation decides to grant a request that EPA approve distribution and/or use of phosphogypsum for a specified purpose, the Assistant Administrator may decide to impose additional terms or conditions governing such distribution or use. In appropriate circumstances, the Assistant Administrator may also decide to waive or modify the recordkeeping requirements established by § 61.209(c).

### § 61.207 Radium-226 sampling and measurement procedures.

(a) Before removing phosphogypsum from a stack for distribution in commerce pursuant to § 61.204, or § 61.206, the owner or operator of a phosphogypsum stack shall measure the average radium-226 concentration at the location in the stack from which phosphogypsum will be removed. Measurements shall be performed for each such location prior to the initial distribution in commerce of phosphogypsum removed from that location and at least once during each calendar year while distribution of phosphogypsum removed from the location continues.

(1) A minimum of 30 phosphogypsum samples shall be taken at regularly spaced intervals across the surface of the location on the stack from which the phosphogypsum will be removed. Let  $n_i$  represent the number of samples taken.

(2) Measure the radium-226 concentration of each of the  $n_i$  samples in accordance with the analytical procedures described in 40 CFR part 61, appendix B, Method 114.

§ 61.207

40 CFR Ch. I (7-1-00 Edition)

(3) Calculate the mean,  $\bar{x}_1$ , and the standard deviation,  $s_1$ , of the  $n_1$  radium-226 concentrations:

$$\bar{x}_1 = \frac{\sum_{i=1}^{n_1} x_i}{n_1},$$

$$s_1 = \sqrt{\frac{\sum_{i=1}^{n_1} (x_i - \bar{x}_1)^2}{n_1 - 1}},$$

Where  $x_1$  and  $s_1$  are expressed in pCi/g.

(4) Calculate the 95th percentile for the distribution,  $x^*$ , using the following equation:

$$\bar{x}^* = \bar{x}_1 + 1.64 \left( \frac{s_1}{\sqrt{n_1}} \right),$$

Where  $x^*$  is expressed in pCi/g.

(5) If the purpose for removing phosphogypsum from a stack is for distribution to commerce pursuant to § 61.206, the owner or operator of a phosphogypsum stack shall report the mean, standard deviation, 95th percentile and sample size. If the purpose for removing phosphogypsum from a stack is for distribution to commerce pursuant to § 61.204, the additional sampling procedures set forth in paragraphs (b) and (c) of this section shall apply.

(b) Based on the values for  $x_1$  and  $x^*$  calculated in paragraphs (a)(3) and (4) of this section, determine which of the following conditions will be met: -

(1) If  $x_1 < 10$  pCi/g and  $x^* \leq 10$  pCi/g; phosphogypsum may be removed from this area of the stack for distribution in commerce pursuant to § 61.204.

(2) If  $x_1 < 10$  pCi/g and  $x^* > 10$  pCi/g, the owner or operator may elect to follow the procedures for further sampling set forth in paragraph (c) of this section: -

(3) If  $x_1 \geq 10$  pCi/g; phosphogypsum shall not be removed from this area of the stack for distribution in commerce pursuant to § 61.204.

(c) If the owner or operator elects to conduct further sampling to determine

if phosphogypsum can be removed from this area of the stack, the following procedure shall apply. The objective of the following procedure is to demonstrate, with a 95% probability, that the phosphogypsum from this area of the stack has a radium-226 concentration no greater than 10 pCi/g. The procedure is iterative, the sample size may have to be increased more than one time; otherwise the phosphogypsum cannot be removed from this area of the stack for distribution to commerce pursuant to § 61.204.

(1)(i) Solve the following equation for the total number of samples required:

$$n_2 = \left( \frac{1.64s_1}{10 - \bar{x}_1} \right)^2.$$

(ii) The sample size  $n_2$  shall be rounded upwards to the next whole number. The number of additional samples needed is  $n_A = n_2 - n_1$ .

(2) Obtain the necessary number of additional samples,  $n_A$ , which shall also be taken at regularly spaced intervals across the surface of the location on the stack from which phosphogypsum will be removed.

(3) Measure the radium-226 concentration of each of the  $n_A$  additional samples in accordance with the analytical procedures described in 40 CFR part 61, appendix B, Method 114.

(4) Recalculate the mean and standard deviation of the entire set of  $n_2$  radium-226 concentrations by joining this set of  $n_A$  concentrations with the  $n_1$  concentrations previously measured. Use the formulas in paragraph (a)(3) of this section, substituting the entire set of  $n_2$  samples in place of the  $n_1$  samples called for in paragraph (a)(3) of this section, thereby determining the mean,  $x_2$ , and standard deviation,  $s_2$ , for the entire set of  $n_2$  concentrations.

(5) Repeat the procedure described in paragraph (a)(4) of this section, substituting the recalculated mean,  $x_2$ , for  $x_1$ , the recalculated standard deviation,  $s_2$ , for  $s_1$ , and total sample size,  $n_2$ , for  $n_1$ .

(6) Repeat the procedure described in paragraph (b) of this section, substituting the recalculated mean,  $x_2$  for  $x_1$ .

[64 FR 5579, Feb. 3, 1999]

## Environmental Protection Agency

## § 61.209

### § 61.208 Certification requirements.

(a)(1) The owner or operator of a stack from which phosphogypsum will be removed and distributed in commerce pursuant to § 61.204, § 61.205, or § 61.206 shall prepare a certification document for each quantity of phosphogypsum which is distributed in commerce which includes:

(i) The name and address of the owner or operator;

(ii) The name and address of the purchaser or recipient of the phosphogypsum;

(iii) The quantity (in pounds) of phosphogypsum sold or transferred;

(iv) The date of sale or transfer;

(v) A description of the intended end-use for the phosphogypsum;

(vi) The average radium-226 concentration, in pCi/g, of the phosphogypsum, as determined pursuant to § 61.207; and

(vii) The signature of the person who prepared the certification.

(2) The owner or operator shall retain the certification document for five years from the date of sale or transfer, and shall produce the document for inspection upon request by the Administrator, or his authorized representative. The owner or operator shall also provide a copy of the certification document to the purchaser or recipient.

(b)(1) Each distributor, retailer, or reseller who purchases or receives phosphogypsum for subsequent resale or transfer shall prepare a certification document for each quantity of phosphogypsum which is resold or transferred which includes:

(i) The name and address of the distributor, retailer, or reseller;

(ii) The name and address of the purchaser or recipient of the phosphogypsum;

(iii) The quantity (in pounds) of phosphogypsum resold or transferred;

(iv) The date of resale or transfer;

(v) A description of the intended end-use for the phosphogypsum;

(vi) A copy of each certification document which accompanied the phosphogypsum at the time it was purchased or received by the distributor, retailer, or reseller; and

(vii) The signature of the person who prepared the certification.

(2) The distributor, retailer, or reseller shall retain the certification document for five years from the date of resale or transfer, and shall produce the document for inspection upon request by the Administrator, or his authorized representative. For every resale or transfer of phosphogypsum to a person other than an agricultural end-user, the distributor, retailer, or reseller shall also provide a copy of the certification document to the purchaser or transferee.

### § 61.209 Required records.

(a) Each owner or operator of a phosphogypsum stack must maintain records for each stack documenting the procedure used to verify compliance with the flux standard in § 61.202, including all measurements, calculations, and analytical methods on which input parameters were based. The required documentation shall be sufficient to allow an independent auditor to verify the correctness of the determination made concerning compliance of the stack with flux standard.

(b) Each owner or operator of a phosphogypsum stack must maintain records documenting the procedure used to determine average radium-226 concentration pursuant to § 61.207, including all measurements, calculations, and analytical methods on which input parameters were based. The required documentation shall be sufficient to allow an independent auditor to verify the accuracy of the radium-226 concentration.

(c) Each facility which uses phosphogypsum pursuant to § 61.205 or § 61.206 shall prepare records which include the following information:

(1) The name and address of the person in charge of the activity involving use of phosphogypsum.

(2) A description of each use of phosphogypsum, including the handling and processing that the phosphogypsum underwent.

(3) The location of each site where each use of phosphogypsum occurred, including the suite and/or building number, street, city, county, state, and zip code.

(4) The mailing address of each facility using phosphogypsum, if different from paragraph (c)(3) of this section.

**§ 61.210**

(5) The date of each use of phosphogypsum.

(6) The quantity of phosphogypsum used.

(7) The certified average concentration of radium-226 for the phosphogypsum which was used.

(8) A description of all measures taken to prevent the uncontrolled release of phosphogypsum into the environment.

(9) A description of the disposition of any unused phosphogypsum.

(d) These records shall be retained by the facility for at least five years from the date of use of the phosphogypsum and shall be produced for inspection upon request by the Administrator, or his authorized representative.

**§ 61.210 Exemption from the reporting and testing requirements of 40 CFR 61.10.**

All facilities designated under this subpart are exempt from the reporting requirements of 40 CFR 61.10.

**Subpart S [Reserved]**

**Subpart T—National Emission Standards for Radon Emissions From the Disposal of Uranium Mill Tailings**

SOURCE: 54 FR 51702, Dec. 15, 1989, unless otherwise noted.

**§ 61.220 Designation of facilities.**

(a) The provisions of this subpart apply to owners and operators of all sites that are used for the disposal of tailings, and that managed residual radioactive material during and following the processing of uranium ores, commonly referred to as uranium mills and their associated tailings, that are listed in, or designated by the Secretary of Energy under title I of the Uranium Mill Tailings Radiation Control Act of 1978, except § 61.226 of this subpart which applies to owners and operators of all sites that are regulated under title II of the Uranium Mill Tailings Radiation Control Act of 1978.

(b) [Reserved]

[59 FR 36301, July 15, 1994]

**40 CFR Ch. I (7-1-00 Edition)**

**§ 61.221 Definitions.**

As used in this subpart, all terms not defined here have the meanings given them in the Clean Air Act or subpart A of part 61. The following terms shall have the following specific meanings:

(a) *Long term stabilization* means the addition of material on a uranium mill tailings pile for the purpose of ensuring compliance with the requirements of 40 CFR 192.02(a). These actions shall be considered complete when the Nuclear Regulatory Commission determines that the requirements of 40 CFR 192.02(a) have been met.

(b) *Operational* means a uranium mill tailings pile that is licensed to accept additional tailings, and those tailings can be added without violating subpart W or any other Federal, state or local rule or law. A pile cannot be considered operational if it is filled to capacity or the mill it accepts tailings from has been dismantled or otherwise decommissioned.

(c) *Residual radioactive materials* shall have the same meaning as in section 101(7) of the Uranium Mill Tailings Radiation Control Act of 1978, 42 U.S.C. 7911(7).

(d) *Tailings* shall have the same meaning as in section 101(8) of the Uranium Mill Tailings Radiation Control Act of 1978, 42 U.S.C. 7911(8).

(e) *In significant part* means in a manner that is not reasonably expected to materially (i.e., more than de minimis) interfere with compliance with the 20 pCi/m<sup>2</sup>-s flux standard as expeditiously as practicable considering technological feasibility (including factors beyond the control of the licensee).

[54 FR 51702, Dec. 15, 1989, as amended at 59 FR 36301, July 15, 1994]

**§ 61.222 Standard.**

(a) Radon-222 emissions to the ambient air from uranium mill tailings pile that are no longer operational shall not exceed 20 pCi/m<sup>2</sup>-s of radon-222.

(b) Once a uranium mill tailings pile or impoundment ceases to be operational it must be disposed of and brought into compliance with this standard within two years of the effective date of the standard. If it is not physically possible for an owner or operator to complete disposal within that

## Environmental Protection Agency

## § 61.225

time, EPA shall, after consultation with the owner or operator, establish a compliance agreement which will assure that disposal will be completed as quickly as possible.

[54 FR 51702, Dec. 15, 1989, as amended at 59 FR 36301, July 15, 1994]

### § 61.223 Compliance procedures.

(a) Sixty days following the completion of covering the pile to limit radon emissions but prior to the long term stabilization of the pile, the owners or operators of uranium mill tailings shall conduct testing for all piles within the facility in accordance with the procedures described in 40 CFR part 61, appendix B, Method 115, or other procedures for which EPA has granted prior approval.

(b) Ninety days after the testing is required, each facility shall provide EPA with a report detailing the actions taken and the results of the radon-222 flux testing. EPA shall be notified at least 30 days prior to an emission test so that EPA may, at its option, observe the test. If meteorological conditions are such that a test cannot be properly conducted, then the owner or operator shall notify EPA and test as soon as conditions permit. Each report shall also include the following information:

- (1) The name and location of the facility.
- (2) A list of the piles at the facility.
- (3) A description of the control measures taken to decrease the radon flux from the source and any actions taken to insure the long term effectiveness of the control measures.
- (4) The results of the testing conducted, including the results of each measurement.
- (5) Each report shall be signed and dated by a public official in charge of the facility and contain the following declaration immediately above the signature line:

I certify under penalty of law that I have personally examined and am familiar with the information submitted herein and based on my inquiry of those individuals immediately responsible for obtaining the information, I believe that the submitted information is true, accurate and complete. I am aware that there are significant penalties for

submitting false information including the possibility of fine and imprisonment. See 18 U.S.C. 1001.

(c) If year long measurements are made in accordance with Method 115 of appendix B of part 61, this report shall include the results of the first measurement period and provide a schedule for the measurement frequency to be used. An additional report shall be submitted ninety days after completion of the final measurements.

(d) If long term stabilization has begun before the effective date of the rule then testing may be conducted at any time, up to 60 days after the long term stabilization is completed.

(e) If the testing demonstrates that the pile meets the requirement of §61.222(a) and long term stabilization has been completed then the pile is considered disposed for purposes of this rule.

[54 FR 51702, Dec. 15, 1989, as amended at 59 FR 36302, July 15, 1994]

### § 61.224 Recordkeeping requirements.

The owner or operator must maintain records documenting the source of input parameters including the results of all measurements upon which they are based, the calculations and/or analytical methods used to derive values for input parameters, and the procedure used to determine compliance. This documentation should be sufficient to allow an independent auditor to verify the accuracy of the determination made concerning the facility's compliance with the standard. The Administrator shall be kept apprised of the location of these records and the records must be kept for at least five years and upon request be made available for inspection by the Administrator, or his authorized representative.

### § 61.225 Exemption from the reporting and testing requirements of 40 CFR 61.10.

All facilities designated under this subpart are exempt from the reporting requirements of 40 CFR 61.10.

**§ 61.226 Reconsideration of rescission and reinstatement of this subpart.**

(a) *Reinstatement of this subpart upon completion of reconsideration of rescission.* (1) The Administrator shall reinstate 40 CFR part 61, subpart T as applied to owners and operators of non-operational uranium mill tailings disposal sites that are licensed by the NRC or an affected Agreement State if the Administrator determines by rulemaking, based on the record, that NRC or an affected Agreement State has:

(i) Failed on a programmatic basis to implement and enforce, in significant part, the regulations governing the disposal of uranium mill tailings promulgated by EPA and NRC or the tailings closure plan (radon) (i.e., contained in the license) requirements establishing milestones for the purpose of emplacing a permanent radon barrier that will achieve compliance with the 20 pCi/m<sup>2</sup>-s flux standard; and

(ii) Those failures may reasonably be anticipated to significantly interfere (i.e., more than de minimis) with the timely emplacement of a permanent radon barrier constructed to achieve compliance with the 20 pCi/m<sup>2</sup>-s flux standard at the uranium mill tailings disposal site.

(2) The Administrator shall reinstate 40 CFR part 61, subpart T on a site-specific basis as applied to owners and operators of non-operational uranium mill tailings disposal sites that are licensed by the NRC or an affected Agreement State if the Administrator determines by rulemaking, based on the record:

(i) That NRC or an affected Agreement State has failed in significant part on a site-specific basis to achieve compliance by the operator of the site or sites with applicable license requirements, regulations, or standards implemented by NRC and the affected Agreement States; and

(ii) Those failures may reasonably be anticipated to significantly interfere (i.e., more than de minimis) with the timely emplacement of a permanent radon barrier constructed to achieve compliance with the 20 pCi/m<sup>2</sup>-s flux standard at the uranium mill tailings disposal site.

(3) Upon completion of the reconsideration of rescission pursuant to

§ 61.226(c) the Administrator may issue a finding that reinstatement of this subpart is not appropriate if the Administrator finds:

(i) NRC and the affected Agreement States are on a programmatic basis implementing and enforcing, in significant part, the regulations governing the disposal of uranium mill tailings promulgated by EPA and NRC or the tailings closure plan (radon) (i.e., contained in the license) requirements establishing milestones for the purpose of emplacing a permanent radon barrier that will achieve compliance with the 20 pCi/m<sup>2</sup>-s flux standard; or

(ii) NRC or an affected Agreement State are on a site-specific basis, in significant part, achieving compliance by the operator of the site or sites with applicable license requirements, regulations, or standards implemented by NRC and the affected Agreement States.

(b) *Procedures to petition for reconsideration of rescission of this subpart.* (1) A person may petition the Administrator to reconsider the rescission and seek reinstatement of this subpart under § 61.226(a).

(2) EPA shall summarily dismiss a petition to reconsider rescission and seek reinstatement of this subpart under § 61.226(a)(1) (programmatic basis), without prejudice, unless the petitioner demonstrates that written notice of the alleged failure(s) was provided to NRC at least 60 days before filing the petition with EPA. This notification shall include a statement of the grounds for such a petition and this notice requirement may be satisfied by, but is not limited to, submissions or pleadings submitted to NRC during a proceeding conducted by NRC.

(3) EPA shall summarily dismiss a petition to reconsider rescission and seek reinstatement of this subpart under § 61.226(a)(2) (site-specific basis), without prejudice, unless the petitioner demonstrates that a written request was made to NRC or an affected Agreement State for enforcement or other relief at least 60 days before filing its petition with EPA, and unless the petitioner alleges that NRC or the affected Agreement State failed to respond to such request by taking action,

## Environmental Protection Agency

## § 61.241

as necessary, to assure timely implementation and enforcement of the 20 pCi/m<sup>2</sup>-s flux standard.

(4) Upon receipt of a petition under § 61.226(b)(1) that is not dismissed under § 61.226(b)(2) or (b)(3), EPA will propose to grant or deny an authorized petition to reconsider, take comments on the Agency's proposed action, and take final action granting or denying such petition to reconsider within 300 days of receipt.

(c) *Reconsideration of rescission of this subpart initiated by the Administrator.* (1) The Administrator may initiate reconsideration of the rescission and reinstatement of this subpart as applied to owners and operators of non-operational uranium mill tailings disposal sites if EPA has reason to believe that NRC or an affected Agreement State has failed to implement and enforce, in significant part, the regulations governing the disposal of uranium mill tailings promulgated by EPA and NRC or the tailings closure plan (radon) requirements establishing milestones for the purpose of emplacing a permanent radon barrier that will achieve compliance with the 20 pCi/m<sup>2</sup>-s flux standard.

(2) Before the Administrator initiates reconsideration of the rescission and reinstatement of this subpart under § 61.226(c)(1), EPA shall consult with NRC to address EPA's concerns and if the consultation does not resolve the concerns, EPA shall provide NRC with 60 days notice of the Agency's intent to initiate rulemaking to reinstate this subpart.

[59 FR 36302, July 15, 1994]

### Subpart U [Reserved]

### Subpart V—National Emission Standard for Equipment Leaks (Fugitive Emission Sources)

SOURCE: 49 FR 23513, June 6, 1984, unless otherwise noted.

#### § 61.240 Applicability and designation of sources.

(a) The provisions of this subpart apply to each of the following sources that are intended to operate in volatile hazardous air pollutant (VHAP) serv-

ice: pumps, compressors, pressure relief devices, sampling connection systems, open-ended valves or lines, valves, flanges and other connectors, product accumulator vessels, and control devices or systems required by this subpart.

(b) The provisions of this subpart apply to the sources listed in paragraph (a) after the date of promulgation of a specific subpart in part 61.

(c) While the provisions of this subpart are effective, a source to which this subpart applies that is also subject to the provisions of 40 CFR part 60 only will be required to comply with the provisions of this subpart.

#### § 61.241 Definitions.

As used in this subpart, all terms not defined herein shall have the meaning given them in the Act, in subpart A of part 61, or in specific subparts of part 61; and the following terms shall have specific meaning given them:

*Closed-vent system* means a system that is not open to atmosphere and that is composed of piping, connections, and, if necessary, flow-inducing devices that transport gas or vapor from a piece or pieces of equipment to a control device.

*Connector* means flanged, screwed, welded, or other joined fittings used to connect two pipe lines or a pipe line and a piece of equipment. For the purpose of reporting and recordkeeping, connector means flanged fittings that are not covered by insulation or other materials that prevent location of the fittings.

*Control device* means an enclosed combustion device, vapor recovery system, or flare.

*Double block and bleed system* means two block valves connected in series with a bleed valve or line that can vent the line between the two block valves.

*Equipment* means each pump, compressor, pressure relief device, sampling connection system, open-ended valve or line, valve, flange or other connector, product accumulator vessel in VHAP service, and any control devices or systems required by this subpart.

*First attempt at repair* means to take rapid action for the purpose of stopping

or reducing leakage of organic material to atmosphere using best practices.

*In gas/vapor service* means that a piece of equipment contains process fluid that is in the gaseous state at operating conditions.

*In liquid service* means that a piece of equipment is not in gas/vapor service.

*In-situ* sampling systems means non-extractive samplers or in-line samplers.

*In vacuum service* means that equipment is operating at an internal pressure which is at least 5 kilopascals (kPa) below ambient pressure.

*In VHAP service* means that a piece of equipment either contains or contacts a fluid (liquid or gas) that is at least 10 percent by weight a volatile hazardous air pollutant (VHAP) as determined according to the provisions of § 61.245(d). The provisions of § 61.245(d) also specify how to determine that a piece of equipment is not in VHAP service.

*In VOC service* means, for the purposes of this subpart, that (a) the piece of equipment contains or contacts a process fluid that is at least 10 percent VOC by weight (see 40 CFR 60.2 for the definition of volatile organic compound or VOC and 40 CFR 60.485(d) to determine whether a piece of equipment is not in VOC service) and (b) the piece of equipment is not in heavy liquid service as defined in 40 CFR 60.481.

*Open-ended valve or line* means any valve, except pressure relief valves, having one side of the valve seat in contact with process fluid and one side open to atmosphere, either directly or through open piping.

*Pressure release* means the emission of materials resulting from the system pressure being greater than the set pressure of the pressure relief device.

*Process unit* means equipment assembled to produce a VHAP or its derivatives as intermediates or final products, or equipment assembled to use a VHAP in the production of a product. A process unit can operate independently if supplied with sufficient feed or raw materials and sufficient product storage facilities.

*Process unit shutdown* means a work practice or operational procedure that stops production from a process unit or part of a process unit. An unscheduled work practice or operational procedure

that stops production from a process unit or part of a process unit for less than 24 hours is not a process unit shutdown. The use of spare equipment and technically feasible bypassing of equipment without stopping production are not process unit shutdowns.

*Product accumulator vessel* means any distillate receiver, bottoms receiver, surge control vessel, or product separator in VHAP service that is vented to atmosphere either directly or through a vacuum-producing system. A product accumulator vessel is in VHAP service if the liquid or the vapor in the vessel is at least 10 percent by weight VHAP.

*Repaired* means that equipment is adjusted, or otherwise altered, to eliminate a leak.

*Semiannual* means a 6-month period; the first semiannual period concludes on the last day of the last month during the 180 days following initial start-up for new sources; and the first semiannual period concludes on the last day of the last full month during the 180 days after the effective date of a specific subpart that references this subpart for existing sources.

*Sensor* means a device that measures a physical quantity or the change in a physical quantity, such as temperature, pressure, flow rate, pH, or liquid level.

*Stuffing box pressure* means the fluid (liquid or gas) pressure inside the casing or housing of a piece of equipment, on the process side of the inboard seal.

*Volatile hazardous air pollutant or VHAP* means a substance regulated under this part for which a standard for equipment leaks of the substance has been proposed and promulgated. Benzene is a VHAP. Vinyl chloride is a VHAP.

[49 FR 23513, June 6, 1984; 49 FR 38946, Oct. 2, 1984, as amended at 51 FR 34915, Sept. 30, 1986; 54 FR 38076, Sept. 14, 1989]

#### § 61.242-1 Standards: General.

(a) Each owner or operator subject to the provisions of this subpart shall demonstrate compliance with the requirements of §§ 61.242-1 to 61.242-11 for each new and existing source as required in 40 CFR 61.05, except as provided in §§ 61.243 and 61.244.



## Environmental Protection Agency

## § 61.242-2

(b) Compliance with this subpart will be determined by review of records, review of performance test results, and inspection using the methods and procedures specified in § 61.245.

(c)(1) An owner or operator may request a determination of alternative means of emission limitation to the requirements of §§ 61.242-2, 61.242-3, 61.242-5, 61.242-6, 61.242-7, 61.242-8, 61.242-9 and 61.242-11 as provided in § 61.244.

(2) If the Administrator makes a determination that a means of emission limitation is at least a permissible alternative to the requirements of § 61.242-2, 61.242-3, 61.242-5, 61.242-6, 61.242-7, 61.242-8, 61.242-9 or 61.242-11, an owner or operator shall comply with the requirements of that determination.

(d) Each piece of equipment to which this subpart applies shall be marked in such a manner that it can be distinguished readily from other pieces of equipment.

(e) Equipment that is in vacuum service is excluded from the requirements of § 61.242-2, to § 61.242-11 if it is identified as required in § 61.246(e)(5).

[49 FR 23513, June 6, 1984; 49 FR 38946, Oct. 2, 1984]

### § 61.242-2 Standards: Pumps.

(a)(1) Each pump shall be monitored monthly to detect leaks by the methods specified in § 61.245(b), except as provided in § 61.242-1(c) and paragraphs (d), (e), and (f) of this section.

(2) Each pump shall be checked by visual inspection each calendar week for indications of liquids dripping from the pump seal.

(b)(1) If an instrument reading of 10,000 ppm or greater is measured, a leak is detected.

(2) If there are indications of liquids dripping from the pump seal, a leak is detected.

(c)(1) When a leak is detected, it shall be repaired as soon as practicable, but not later than 15 calendar days after it is detected, except as provided in § 61.242-10.

(2) A first attempt at repair shall be made no later than 5 calendar days after each leak is detected.

(d) Each pump equipped with a dual mechanical seal system that includes a

barrier fluid system is exempt from the requirements of paragraphs (a) and (b) of this section, provided the following requirements are met:

(1) Each dual mechanical seal system is:

(i) Operated with the barrier fluid at a pressure that is at all times greater than the pump stuffing box pressure; or

(ii) Equipped with a barrier fluid degassing reservoir that is connected by a closed-vent system to a control device that complies with the requirements of § 61.242-11; or

(iii) Equipped with a system that purges the barrier fluid into a process stream with zero VHAP emissions to atmosphere.

(2) The barrier fluid is not in VHAP service and, if the pump is covered by standards under 40 CFR part 60, is not in VOC service.

(3) Each barrier fluid system is equipped with a sensor that will detect failure of the seal system, the barrier fluid system, or both.

(4) Each pump is checked by visual inspection each calendar week for indications of liquids dripping from the pump seal.

(i) If there are indications of liquid dripping from the pump seal at the time of the weekly inspection, the pump shall be monitored as specified in § 61.245 to determine the presence of VOC and VHAP in the barrier fluid.

(ii) If the monitor reading (taking into account any background readings) indicates the presence of VHAP, a leak is detected. For the purpose of this paragraph, the monitor may be calibrated with VHAP, or may employ a gas chromatography column to limit the response of the monitor to VHAP, at the option of the owner or operator.

(iii) If an instrument reading of 10,000 ppm or greater (total VOC) is measured, a leak is detected.

(5) Each sensor as described in paragraph (d)(3) of this section is checked daily or is equipped with an audible alarm.

(6)(i) The owner or operator determines, based on design considerations and operating experience, criteria applicable to the presence and frequency of drips and to the sensor that indicates failure of the seal system, the barrier fluid system, or both.

**§61.242-3**

**40 CFR Ch. I (7-1-00 Edition)**

(ii) If indications of liquids dripping from the pump seal exceed the criteria established in paragraph (d)(6)(i) of this section, or if, based on the criteria established in paragraph (d)(6)(i) of this section, the sensor indicates failure of the seal system, the barrier fluid system, or both, a leak is detected.

(iii) When a leak is detected, it shall be repaired as soon as practicable, but no later than 15 calendar days after it is detected, except as provided in §61.242-10.

(iv) A first attempt at repair shall be made no later than five calendar days after each leak is detected.

(e) Any pump that is designated, as described in §61.246(e)(2), for no detectable emissions, as indicated by an instrument reading of less than 500 ppm above background, is exempt from the requirements of paragraphs (a), (c), and (d) if the pump:

(1) Has no externally actuated shaft penetrating the pump housing,

(2) Is demonstrated to be operating with no detectable emissions, as indicated by an instrument reading of less than 500 ppm above background, as measured by the method specified in §61.245(c), and

(3) Is tested for compliance with paragraph (e)(2) initially upon designation, annually, and at other times requested by the Administrator.

(f) If any pump is equipped with a closed-vent system capable of capturing and transporting any leakage from the seal or seals to a control device that complies with the requirements of §61.242-11, it is exempt from the requirements of paragraphs (a)-(e).

(g) Any pump that is located within the boundary of an unmanned plant site is exempt from the weekly visual inspection requirement of paragraphs (a)(2) and (d)(4) of this section, and the daily requirements of paragraph (d)(5)(i) of this section, provided that each pump is visually inspected as often as practicable and at least monthly.

[49 FR 23513, June 6, 1984, as amended at 49 FR 38946, Oct. 2, 1984; 55 FR 28349, July 10, 1990]

**§61.242-3 Standards: Compressors.**

(a) Each compressor shall be equipped with a seal system that in-

cludes a barrier fluid system and that prevents leakage of process fluid to atmosphere, except as provided in §61.242-1(c) and paragraphs (h) and (i) of this section.

(b) Each compressor seal system as required in paragraph (a) shall be:

(1) Operated with the barrier fluid at a pressure that is greater than the compressor stuffing box pressure; or

(2) Equipped with a barrier fluid system that is connected by a closed-vent system to a control device that complies with the requirements of §61.242-11; or

(3) Equipped with a system that purges the barrier fluid into a process stream with zero VHAP emissions to atmosphere.

(c) The barrier fluid shall not be in VHAP service and, if the compressor is covered by standards under 40 CFR part 60, shall not be in VOC service.

(d) Each barrier fluid system as described in paragraphs (a)-(c) of this section shall be equipped with a sensor that will detect failure of the seal system, barrier fluid system, or both.

(e)(1) Each sensor as required in paragraph (d) of this section shall be checked daily or shall be equipped with an audible alarm unless the compressor is located within the boundary of an unmanned plant site.

(2) The owner or operator shall determine, based on design considerations and operating experience, a criterion that indicates failure of the seal system, the barrier fluid system, or both.

(f) If the sensor indicates failure of the seal system, the barrier fluid system, or both based on the criterion determined under paragraph (e)(2) of this section, a leak is detected.

(g)(1) When a leak is detected, it shall be repaired as soon as practicable, but not later than 15 calendar days after it is detected, except as provided in §61.242-10.

(2) A first attempt at repair shall be made no later than 5 calendar days after each leak is detected.

(h) A compressor is exempt from the requirements of paragraphs (a) and (b) if it is equipped with a closed-vent system capable of capturing and transporting any leakage from the seal to a control device that complies with the

## Environmental Protection Agency

## § 61.242-7

requirements of § 61.242-11, except as provided in paragraph (i).

(i) Any Compressor that is designated, as described in § 61.246(e)(2), for no detectable emission as indicated by an instrument reading of less than 500 ppm above background is exempt from the requirements of paragraphs (a)-(h) if the compressor:

(1) Is demonstrated to be operating with no detectable emissions, as indicated by an instrument reading of less than 500 ppm above background, as measured by the method specified in § 61.245(c); and

(2) Is tested for compliance with paragraph (i)(1) initially upon designation, annually, and at other times requested by the Administrator.

[49 FR 23513, June 6, 1984; 49 FR 38946, Oct. 2, 1984]

### § 61.242-4 Standards: Pressure relief devices in gas/vapor service.

(a) Except during pressure releases, each pressure relief device in gas/vapor service shall be operated with no detectable emissions, as indicated by an instrument reading of less than 500 ppm above background, as measured by the method specified in § 61.245(c).

(b)(1) After each pressure release, the pressure relief device shall be returned to a condition of no detectable emissions, as indicated by an instrument reading of less than 500 ppm above background, as soon as practicable, but no later than 5 calendar days after each pressure release, except as provided in § 61.242-10.

(2) No later than 5 calendar days after the pressure release, the pressure relief device shall be monitored to confirm the condition of no detectable emissions, as indicated by an instrument reading of less than 500 ppm above background, as measured by the method specified in § 61.245(c).

(c) Any pressure relief device that is equipped with a closed-vent system capable of capturing and transporting leakage from the pressure relief device to a control device as described in § 61.242-11 is exempt from the requirements of paragraphs (a) and (b).

[49 FR 23513, June 6, 1984; 49 FR 38946, Oct. 2, 1984]

### § 61.242-5 Standards: Sampling connecting systems.

(a) Each sampling connection system shall be equipped with a closed-purge system or closed vent system, except as provided in § 61.242-1(c).

(b) Each closed-purge system or closed-vent system as required in paragraph (a) shall:

(1) Return the purged process fluid directly to the process line with zero VHAP emissions to atmosphere; or

(2) Collect and recycle the purged process fluid with zero VHAP emissions to atmosphere; or

(3) Be designed and operated to capture and transport all the purged process fluid to a control device that complies with the requirements of § 61.242-11.

(c) *In-situ* sampling systems are exempt from the requirements of paragraphs (a) and (b).

### § 61.242-6 Standards: Open-ended valves or lines.

(a)(1) Each open-ended valve or line shall be equipped with a cap, blind flange, plug, or a second valve, except as provided in § 61.242-1(c).

(2) The cap, blind flange, plug, or second valve shall seal the open end at all times except during operations requiring process fluid flow through the open-ended valve or line.

(b) Each open-ended valve or line equipped with a second valve shall be operated in a manner such that the valve on the process fluid end is closed before the second valve is closed.

(c) When a double block and bleed system is being used, the bleed valve or line may remain open during operations that require venting the line between the block valves but shall comply with paragraph (a) at all other times.

### § 61.242-7 Standards: Valves.

(a) Each valve shall be monitored monthly to detect leaks by the method specified in § 61.245(b) and shall comply with paragraphs (b)-(e), except as provided in paragraphs (f), (g), and (h) of this section, § 61.243-1 or § 61.243-2, and § 61.242-1(c).

(b) If an instrument reading of 10,000 ppm or greater is measured, a leak is detected.

**§ 61.242-8**

**40 CFR Ch. I (7-1-00 Edition)**

(c)(1) Any valve for which a leak is not detected for 2 successive months may be monitored the first month of every quarter, beginning with the next quarter, until a leak is detected.

(2) If a leak is detected, the valve shall be monitored monthly until a leak is not detected for 2 successive months.

(d)(1) When a leak is detected, it shall be repaired as soon as practicable, but no later than 15 calendar days after the leak is detected, except as provided in § 61.242-10.

(2) A first attempt at repair shall be made no later than 5 calendar days after each leak is detected.

(e) First attempts at repair include, but are not limited to, the following best practices where practicable:

- (1) Tightening of bonnet bolts;
- (2) Replacement of bonnet bolts;
- (3) Tightening of packing gland nuts;

and

(4) Injection of lubricant into lubricated packing.

(f) Any valve that is designated, as described in § 61.246(e)(2), for no detectable emissions, as indicated by an instrument reading of less than 500 ppm above background, is exempt from the requirements of paragraph (a) if the valve:

(1) Has no external actuating mechanism in contact with the process fluid;

(2) Is operated with emissions less than 500 ppm above background, as measured by the method specified in § 61.245(c); and

(3) Is tested for compliance with paragraph (f)(2) initially upon designation, annually, and at other times requested by the Administrator.

(g) Any valve that is designated, as described in § 61.246(f)(1), as an unsafe-to-monitor valve is exempt from the requirements of paragraph (a) if:

(1) The owner or operator of the valve demonstrates that the valve is unsafe to monitor because monitoring personnel would be exposed to an immediate danger as a consequence of complying with paragraph (a); and

(2) The owner or operator of the valve has a written plan that requires monitoring of the valve as frequent as practicable during safe-to-monitor times.

(h) Any valve that is designated, as described in § 61.246(f)(2), as a difficult-

to-monitor valve is exempt from the requirements of paragraph (a) if:

(1) The owner or operator of the valve demonstrates that the valve cannot be monitored without elevating the monitoring personnel more than 2 meters above a support surface;

(2) The process unit within which the valve is located is an existing process unit; and

(3) The owner or operator of the valve follows a written plan that requires monitoring of the valve at least once per calendar year.

**§ 61.242-8 Standards: Pressure relief devices in liquid service and flanges and other connectors.**

(a) Pressure relief devices in liquid service and flanges and other connectors shall be monitored within 5 days by the method specified in § 61.245(b) if evidence of a potential leak is found by visual, audible, olfactory, or any other detection method, except as provided in § 61.242-1(c).

(b) If an instrument reading of 10,000 ppm or greater is measured, a leak is detected.

(c)(1) When a leak is detected, it shall be repaired as soon as practicable, but not later than 15 calendar days after it is detected, except as provided in § 61.242-10.

(2) The first attempt at repair shall be made no later than 5 calendar days after each leak is detected.

(d) First attempts at repair include, but are not limited to, the best practices described under § 61.242-7(e).

[49 FR 23513, June 6, 1984; 49 FR 38946, Oct. 2, 1984]

**§ 61.242-9 Standards: Product accumulator vessels.**

Each product accumulator vessel shall be equipped with a closed-vent system capable of capturing and transporting any leakage from the vessel to a control device as described in § 61.242-11, except as provided in § 61.242-1(c).

[49 FR 23513, June 6, 1984; 49 FR 38946, Oct. 2, 1984]

**§ 61.242-10 Standards: Delay of repair.**

(a) Delay of repair of equipment for which leaks have been detected will be

## Environmental Protection Agency

## § 61.243-1

allowed if the repair is technically infeasible without a process unit shutdown. Repair of this equipment shall occur before the end of the next process unit shutdown.

(b) Delay of repair of equipment for which leaks have been detected will be allowed for equipment that is isolated from the process and that does not remain in VHAP service.

(c) Delay of repair for valves will be allowed if:

(1) The owner or operator demonstrates that emissions of purged material resulting from immediate repair are greater than the fugitive emissions likely to result from delay of repair, and

(2) When repair procedures are effected, the purged material is collected and destroyed or recovered in a control device complying with §61.242-11.

(d) Delay of repair for pumps will be allowed if:

(1) Repair requires the use of a dual mechanical seal system that includes a barrier fluid system, and

(2) Repair is completed as soon as practicable, but not later than 6 months after the leak was detected.

(e) Delay of repair beyond a process unit shutdown will be allowed for a valve if valve assembly replacement is necessary during the process unit shutdown, valve assembly supplies have been depleted, and valve assembly supplies had been sufficiently stocked before the supplies were depleted. Delay of repair beyond the next process unit shutdown will not be allowed unless the next process unit shutdown occurs sooner than 6 months after the first process unit shutdown.

### § 61.242-11 Standards: Closed-vent systems and control devices.

(a) Owners or operators of closed-vent systems and control devices used to comply with provisions of this subpart shall comply with the provisions of this section, except as provided in §61.242-1(c).

(b) Vapor recovery systems (for example, condensers and adsorbers) shall be designed and operated to recover the organic vapors vented to them with an efficiency of 95 percent or greater.

(c) Enclosed combustion devices shall be designed and operated to reduce the

VHAP emissions vented to them with an efficiency of 95 percent or greater or to provide a minimum residence time of 0.50 seconds at a minimum temperature of 760°C.

(d) Flares shall be used to comply with this subpart shall comply with the requirements of §60.18.

(e) Owners or operators of control devices that are used to comply with the provisions of this subpart shall monitor these control devices to ensure that they are operated and maintained in conformance with their design.

(f)(1) Closed-vent systems shall be designed for and operated with no detectable emissions, as indicated by an instrument reading of less than 500 ppm above background and by visual inspections, as determined by the methods specified as §61.245(c).

(2) Closed-event systems shall be monitored to determine compliance with this section initially in accordance with §61.05, annually, and at other times requested by the administrator.

(3) Leaks, as indicated by an instrument reading greater than 500 ppm and visual inspections, shall be repaired as soon as practicable, but not later than 15 calendar days after the leak is detected.

(4) A first attempt at repair shall be made no later than 5 calendar days after the leak is detected.

(g) Closed-vent systems and control devices used to comply with provisions of this subpart shall be operated at all times when emissions may be vented to them.

[49 FR 23513, June 6, 1984; 49 FR 38946, Oct. 2, 1984, as amended at 51 FR 2702, Jan. 21, 1986]

### § 61.243-1 Alternative standards for valves in VHAP service—allowable percentage of valves leaking.

(a) An owner or operator may elect to have all valves within a process unit to comply with an allowable percentage of valves leaking of equal to or less than 2.0 percent.

(b) The following requirements shall be met if an owner or operator decides to comply with an allowable percentage of valves leaking:

(1) An owner or operator must notify the Administrator that the owner or operator has elected to have all valves within a process unit to comply with

the allowable percentage of valves leaking before implementing this alternative standard, as specified in § 61.247(d).

(2) A performance test as specified in paragraph (c) of this section shall be conducted initially upon designation, annually, and at other times requested by the Administrator.

(3) If a valve leak is detected, it shall be repaired in accordance with § 61.242-7(d) and (e).

(c) Performance tests shall be conducted in the following manner:

(1) All valves in VHAP service within the process unit shall be monitored within 1 week by the methods specified in § 61.245(b).

(2) If an instrument reading of 10,000 ppm or greater is measured, a leak is detected.

(3) The leak percentage shall be determined by dividing the number of valves in VHAP service for which leaks are detected by the number of valves in VHAP service within the process unit.

(d) Owner or operators who elect to have all valves comply with this alternative standard shall not have a process unit with a leak percentage greater than 2.0 percent.

(e) If an owner or operator decides no longer to comply with § 61.243-1, the owner or operator must notify the Administrator in writing that the work practice standard described in § 61.242-7(a)-(e) will be followed.

**§ 61.243-2 Alternative standards for valves in VHAP service—skip period leak detection and repair.**

(a)(1) An owner or operator may elect for all valves within a process unit to comply with one of the alternative work practices specified in paragraphs (b)(2) and (3) of this section.

(2) An owner or operator must notify the Administrator before implementing one of the alternative work practices, as specified in § 61.247(d).

(b)(1) An owner or operator shall comply initially with the requirements for valves, as described in § 61.242-7.

(2) After 2 consecutive quarterly leak detection periods with the percentage of valves leaking equal to or less than 2.0, an owner or operator may begin to skip 1 of the quarterly leak detection periods for the valves in VHAP service.

(3) After 5 consecutive quarterly leak detection periods with the percentage of valves leaking equal to or less than 2.0, an owner or operator may begin to skip 3 of the quarterly leak detection periods for the valves in VHAP service.

(4) If the percentage of valves leaking is greater than 2.0, the owner or operator shall comply with the requirements as described in § 61.242-7 but may again elect to use this section.

**§ 61.244 Alternative means of emission limitation.**

(a) Permission to use an alternative means of emission limitation under section 112(e)(3) of the Clean Air Act shall be governed by the following procedures:

(b) Where the standard is an equipment, design, or operational requirement:

(1) Each owner or operator applying for permission shall be responsible for collecting and verifying test data for an alternative means of emission limitation. limitation to test data for the equipment, design, and operational requirements.

(3) The Administrator may condition the permission on requirements that may be necessary to assure operation and maintenance to achieve the same emission reduction as the equipment, design, and operational requirements.

(c) Where the standard is a work practice:

(1) Each owner or operator applying for permission shall be responsible for collecting and verifying test data for an alternative means of emission limitation.

(2) For each source for which permission is requested, the emission reduction achieved by the required work practices shall be demonstrated for a minimum period of 12 months.

(3) For each source for which permission is requested, the emission reduction achieved by the alternative means of emission limitation shall be demonstrated.

(4) Each owner or operator applying for permission shall commit in writing each source to work practices that provide for emission reductions equal to or greater than the emission reductions achieved by the required work practices.

(5) The Administrator will compare the demonstrated emission reduction for the alternative means of emission limitation to the demonstrated emission reduction for the required work practices and will consider the commitment in paragraph (c)(4).

(6) The Administrator may condition the permission on requirements that may be necessary to assure operation and maintenance to achieve the same emission reduction as the required work practices of this subpart.

(d) An owner or operator may offer a unique approach to demonstrate the alternative means of emission limitation.

(e)(1) Manufacturers of equipment used to control equipment leaks of a VHAP may apply to the Administrator for permission for an alternative means of emission limitation that achieves a reduction in emissions of the VHAP achieved by the equipment, design, and operational requirements of this subpart.

(2) The Administrator will grant permission according to the provisions of paragraphs (b), (c), and (d).

**§ 61.245 Test methods and procedures.**

(a) Each owner or operator subject to the provisions of this subpart shall comply with the test methods and procedures requirements provided in this section.

(b) Monitoring, as required in §§ 61.242, 61.243, 61.244, and 61.135, shall comply with the following requirements:

(1) Monitoring shall comply with Method 21 of appendix A of 40 CFR part 60.

(2) The detection instrument shall meet the performance criteria of Reference Method 21.

(3) The instrument shall be calibrated before use on each day of its use by the procedures specified in Reference Method 21.

(4) Calibration gases shall be:

(i) Zero air (less than 10 ppm of hydrocarbon in air); and

(ii) A mixture of methane or n-hexane and air at a concentration of approximately, but less than, 10,000 ppm methane or n-hexane.

(5) The instrument probe shall be traversed around all potential leak inter-

faces as close to the interface as possible as described in Reference Method 21.

(c) When equipment is tested for compliance with or monitored for no detectable emissions, the owner or operator shall comply with the following requirements:

(1) The requirements of paragraphs (b) (1) through (4) shall apply.

(2) The background level shall be determined, as set forth in Reference Method 21.

(3) The instrument probe shall be traversed around all potential leak interfaces as close to the interface as possible as described in Reference Method 21.

(4) The arithmetic difference between the maximum concentration indicated by the instrument and the background level is compared with 500 ppm for determining compliance.

(d)(1) Each piece of equipment within a process unit that can conceivably contain equipment in VHAP service is presumed to be in VHAP service unless an owner or operator demonstrates that the piece of equipment is not in VHAP service. For a piece of equipment to be considered not in VHAP service, it must be determined that the percent VHAP content can be reasonably expected never to exceed 10 percent by weight. For purposes of determining the percent VHAP content of the process fluid that is contained in or contacts equipment, procedures that conform to the methods described in ASTM Method D-2267 (incorporated by the reference as specified in § 61.18) shall be used.

(2)(i) An owner or operator may use engineering judgment rather than the procedures in paragraph (d)(1) of this section to demonstrate that the percent VHAP content does not exceed 10 percent by weight, provided that the engineering judgment demonstrates that the VHAP content clearly does not exceed 10 percent by weight. When an owner or operator and the Administrator do not agree on whether a piece of equipment is not in VHAP service, however, the procedures in paragraph (d)(1) of this section shall be used to resolve the disagreement.

(ii) If an owner or operator determines that a piece of equipment is in

**§ 61.246**

**40 CFR Ch. I (7-1-00 Edition)**

VHAP service, the determination can be revised only after following the procedures in paragraph (d)(1) of this section.

(3) Samples used in determining the percent VHAP content shall be representative of the process fluid that is contained in or contacts the equipment or the gas being combusted in the flare.

(e)(1) Method 22 of appendix A of 40 CFR part 60 shall be used to determine compliance of flares with the visible emission provisions of this subpart.

(2) The presence of a flare pilot flame shall be monitored using a thermocouple or any other equivalent device to detect the presence of a flame.

(3) The net heating value of the gas being combusted in a flare shall be calculated using the following equation:

$$H_T = K \left( \sum_{i=1}^n C_i H_i \right)$$

Where:

$H_T$ =Net heating value of the sample, MJ/scm; where the net enthalpy per mole of offgas is based on combustion at 25° C and 760 mm Hg, but the standard temperature for determining the volume corresponding to one mole is 20° C.

$K$ =Constant,  $1.74 \times 10^{-7}$  (1/ppm) (g mole/scm) (MJ/kcal) where standard temperature for (g mole/scm) is 20° C

$C_i$ =Concentration of sample component  $i$  in ppm, as measured by Reference Method 18 of Appendix A of 40 FR part 60 and ASTM D2504-67 (reapproved 1977) (incorporated by reference as specified in §61.18).

$H_i$ =Net heat of combustion of sample component  $i$ , kcal/g mole. The heats of combustion may be determined using ASTM D2382-76 (incorporated by reference as specified in §61.18) if published values are not available or cannot be calculated.

(4) The actual exit velocity of a flare shall be determined by dividing the volumetric flowrate (in units of standard temperature and pressure), as determined by Reference Method 2, 2A, 2C, or 2D, as appropriate, by the unobstructed (free) cross section area of the flare tip.

(5) The maximum permitted velocity,  $V_{max}$ , for air-assisted flares shall be determined by the following equation:

$$V_{Max} = 8.76 + 0.7084(H_T)$$

Where:

$V_{Max}$ =Maximum permitted velocity, m/sec  
8.706=Constant.

0.7084=Constant.

$H_T$ =The net heating value as determined in paragraph (e)(3) of this section.

[49 FR 23513, June 6, 1984, as amended at 49 FR 38946, Oct. 2, 1984; 49 FR 43647, Oct. 31, 1984; 53 FR 36972, Sept. 23, 1988; 54 FR 38077, Sept. 14, 1989]

**§ 61.246 Recordkeeping requirements.**

(a)(1) Each owner or operator subject to the provisions of this subpart shall comply with the recordkeeping requirements of this section.

(2) An owner or operator of more than one process unit subject to the provisions of this subpart may comply with the recordkeeping requirements for these process units in one recordkeeping system if the system identifies each record by each process unit.

(b) When each leak is detected as specified in §§61.242-2, 61.242-3, 61.242-7, 61.242-8, and 61.135, the following requirements apply:

(1) A weatherproof and readily visible identification, marked with the equipment identification number, shall be attached to the leaking equipment.

(2) The identification on a valve may be removed after it has been monitored for 2 successive months as specified in §61.242-7(c) and no leak has been detected during those 2 months.

(3) The identification on equipment, except on a valve, may be removed after it has been repaired.

(c) When each leak is detected as specified in §§61.242-2, 61.242-3, 61.242-7, 61.242-8, and 61.135, the following information shall be recorded in a log and shall be kept for 2 years in a readily accessible location:

(1) The instrument and operator identification numbers and the equipment identification number.

(2) The date the leak was detected and the dates of each attempt to repair the leak.

(3) Repair methods applied in each attempt to repair the leak.

(4) "Above 10,000" if the maximum instrument reading measured by the methods specified in §61.245(a) after each repair attempt is equal to or greater than 10,000 ppm.

(5) "Repair delayed" and the reason for the delay if a leak is not repaired within 15 calendar days after discovery of the leak.



## Environmental Protection Agency

## § 61.246

(6) The signature of the owner or operator (or designate) whose decision it was that repair could not be effected without a process shutdown.

(7) The expected date of successful repair of the leak if a leak is not repaired within 15 calendar days.

(8) Dates of process unit shutdowns that occur while the equipment is unrepaired.

(9) The date of successful repair of the leak.

(d) The following information pertaining to the design requirements for closed-vent systems and control devices described in §61.242-11 shall be recorded and kept in a readily accessible location:

(1) Detailed schematics, design specifications, and piping and instrumentation diagrams.

(2) The dates and descriptions of any changes in the design specifications.

(3) A description of the parameter or parameters monitored, as required in §61.242-11(e), to ensure that control devices are operated and maintained in conformance with their design and an explanation of why that parameter (or parameters) was selected for the monitoring.

(4) Periods when the closed-vent systems and control devices required in §§61.242-2, 61.242-3, 61.242-4, 61.242-5 and 61.242-9 are not operated as designed, including periods when a flare pilot light does not have a flame.

(5) Dates of startups and shutdowns of the closed-vent systems and control devices required in §§61.242-2, 61.242-3, 61.242-4, 61.242-5 and 61.242-9.

(e) The following information pertaining to all equipment to which a standard applies shall be recorded in a log that is kept in a readily accessible location:

(1) A list of identification numbers for equipment (except welded fittings) subject to the requirements of this subpart.

(2)(i) A list of identification numbers for equipment that the owner or operator elects to designate for no detectable emissions as indicated by an instrument reading of less than 500 ppm above background.

(ii) The designation of this equipment for no detectable emissions shall be signed by the owner or operator.

(3) A list of equipment identification numbers for pressure relief devices required to comply with §61.242-4(a).

(4)(i) The dates of each compliance test required in §§61.242-2(e), 61.242-3(i), 61.242-4, 61.242-7(f), and 61.135(g).

(ii) The background level measured during each compliance test.

(iii) The maximum instrument reading measured at the equipment during each compliance test.

(5) A list of identification numbers for equipment in vacuum service.

(f) The following information pertaining to all valves subject to the requirements of §61.242-7(g) and (h) shall be recorded in a log that is kept in a readily accessible location:

(1) A list of identification numbers for valves that are designated as unsafe to monitor, an explanation for each valve stating why the valve is unsafe to monitor, and the plan for monitoring each valve.

(2) A list of identification numbers for valves that are designated as difficult to monitor, an explanation for each valve stating why the valve is difficult to monitor, and the planned schedule for monitoring each valve.

(g) The following information shall be recorded for valves complying with §61.243-2:

(1) A schedule of monitoring.

(2) The percent of valves found leaking during each monitoring period.

(h) The following information shall be recorded in a log that is kept in a readily accessible location:

(1) Design criterion required in §§61.242-2(d)(5), 61.242-3(e)(2), and 61.135(e)(4) and an explanation of the design criterion; and

(2) Any changes to this criterion and the reasons for the changes.

(i) The following information shall be recorded in a log that is kept in a readily accessible location for use in determining exemptions as provided in the applicability section of this subpart and other specific subparts:

(1) An analysis demonstrating the design capacity of the process unit, and

(2) An analysis demonstrating that equipment is not in VHAP service.

(j) Information and data used to demonstrate that a piece of equipment is not in VHAP service shall be recorded

## § 61.247

## 40 CFR Ch. I (7-1-00 Edition)

in a log that is kept in a readily accessible location.

[49 FR 23513, June 6, 1984, as amended at 49 FR 38946, Oct. 2, 1984; 54 FR 38077, Sept. 14, 1989]

### § 61.247 Reporting requirements.

(a)(1) An owner or operator of any piece of equipment to which this subpart applies shall submit a statement in writing notifying the Administrator that the requirements of §§ 61.242, 61.245, 61.246, and 61.247 are being implemented.

(2) In the case of an existing source or a new source which has an initial startup date preceding the effective date, the statement is to be submitted within 90 days of the effective date, unless a waiver of compliance is granted under § 61.11, along with the information required under § 61.10. If a waiver of compliance is granted, the statement is to be submitted on a date scheduled by the Administrator.

(3) In the case of new sources which did not have an initial startup date preceding the effective date, the statement shall be submitted with the application for approval of construction, as described in § 61.07.

(4) The statement is to contain the following information for each source:

(i) Equipment identification number and process unit identification.

(ii) Type of equipment (for example, a pump or pipeline valve).

(iii) Percent by weight VHAP in the fluid at the equipment.

(iv) Process fluid state at the equipment (gas/vapor or liquid).

(v) Method of compliance with the standard (for example, "monthly leak detection and repair" or "equipped with dual mechanical seals").

(b) A report shall be submitted to the Administrator semiannually starting 6 months after the initial report required in paragraph (a) of this section, that includes the following information:

(1) Process unit identification.

(2) For each month during the semiannual reporting period,

(i) Number of valves for which leaks were detected as described in § 61.242-7(b) of § 61.243-2.

(ii) Number of valves for which leaks were not repaired as required in § 61.242-7(d).

(iii) Number of pumps for which leaks were detected as described in § 61.242-2 (b) and (d)(6).

(iv) Number of pumps for which leaks were not repaired as required in § 61.242-2 (c) and (d)(6).

(v) Number of compressors for which leaks were detected as described in § 61.242-3(f).

(vi) Number of compressors for which leaks were not repaired as required in § 61.242-3(g).

(vii) The facts that explain any delay of repairs and, where appropriate, why a process unit shutdown was technically infeasible.

(3) Dates of process unit shutdowns which occurred within the semiannual reporting period.

(4) Revisions to items reported according to paragraph (a) if changes have occurred since the initial report or subsequent revisions to the initial report.

NOTE: Compliance with the requirements of § 61.10(c) is not required for revisions documented under this paragraph.

(5) The results of all performance tests and monitoring to determine compliance with no detectable emissions and with §§ 61.243-1 and 61.243-2 conducted within the semiannual reporting period.

(c) In the first report submitted as required in paragraph (a) of this section, the report shall include a reporting schedule stating the months that semiannual reports shall be submitted. Subsequent reports shall be submitted according to that schedule, unless a revised schedule has been submitted in a previous semiannual report.

(d) An owner or operator electing to comply with the provisions of §§ 61.243-1 and 61.243-2 shall notify the Administrator of the alternative standard selected 90 days before implementing either of the provisions.

(e) An application for approval of construction or modification, §§ 61.05(a) and 61.07, will not be required if—

(1) The new source complies with the standard, § 61.242;

(2) The new source is not part of the construction of a process unit; and

(3) In the next semiannual report required by paragraph (b) of this section,

the information in paragraph (a)(4) of this section is reported.

[49 FR 23513, June 6, 1984, as amended at 49 FR 38947, Oct. 2, 1984; 54 FR 38077, Sept. 14, 1989]

### Subpart W—National Emission Standards for Radon Emissions From Operating Mill Tailings

SOURCE: 54 FR 51703, Dec. 15, 1989, unless otherwise noted.

#### § 61.250 Designation of facilities.

The provisions of this subpart apply to owners or operators of facilities licensed to manage uranium byproduct materials during and following the processing of uranium ores, commonly referred to as uranium mills and their associated tailings. This subpart does not apply to the disposal of tailings.

#### § 61.251 Definitions.

As used in this subpart, all terms not defined here have the meaning given them in the Clean Air Act or 40 CFR part 61, subpart A. The following terms shall have the following specific meanings:

(a) *Area* means the vertical projection of the pile upon the earth's surface.

(b) *Continuous disposal* means a method of tailings management and disposal in which tailings are dewatered by mechanical methods immediately after generation. The dried tailings are then placed in trenches or other disposal areas and immediately covered to limit emissions consistent with applicable Federal standards.

(c) *Dewatered* means to remove the water from recently produced tailings by mechanical or evaporative methods such that the water content of the tailings does not exceed 30 percent by weight.

(d) *Existing impoundment* means any uranium mill tailings impoundment which is licensed to accept additional tailings and is in existence as of December 15, 1989.

(e) *Operation* means that an impoundment is being used for the continued placement of new tailings or is in standby status for such placement. An impoundment is in operation from the

day that tailings are first placed in the impoundment until the day that final closure begins.

(f) *Phased disposal* means a method of tailings management and disposal which uses lined impoundments which are filled and then immediately dried and covered to meet all applicable Federal standards.

(g) *Uranium byproduct material or tailings* means the waste produced by the extraction or concentration of uranium from any ore processed primarily for its source material content. Ore bodies depleted by uranium solution extraction and which remain underground do not constitute byproduct material for the purposes of this subpart.

#### § 61.252 Standard.

(a) Radon-222 emissions to the ambient air from an existing uranium mill tailings pile shall not exceed 20 pCi/m<sup>2</sup>-s of radon-222.

(b) After December 15, 1989, no new tailings impoundment can be built unless it is designed, constructed and operated to meet one of the two following work practices:

(1) Phased disposal in lined tailings impoundments that are no more than 40 acres in area and meet the requirements of 40 CFR 192.32(a) as determined by the Nuclear Regulatory Commission. The owner or operator shall have no more than two impoundments, including existing impoundments, in operation at any one time.

(2) Continuous disposal of tailings such that tailings are dewatered and immediately disposed with no more than 10 acres uncovered at any time and operated in accordance with § 192.32(a) as determined by the Nuclear Regulatory Commission.

(c) All mill owners or operators shall comply with the provisions of 40 CFR 192.32(a) in the operation of tailings piles, the exemption for existing piles in 40 CFR 192.32(a) notwithstanding.

#### § 61.253 Determining compliance.

Compliance with the emission standard in this subpart shall be determined annually through the use of Method 115 of appendix B. When measurements are to be made over a one year period, EPA shall be provided with a schedule of the

**§ 61.254**

measurement frequency to be used. The schedule may be submitted to EPA prior to or after the first measurement period. EPA shall be notified 30 days prior to any emissions test so that EPA may, at its option, observe the test.

**§ 61.254 Annual reporting requirements.**

(a) The owners or operators of operating existing mill impoundments shall report the results of the compliance calculations required in § 61.253 and the input parameters used in making the calculation for each calendar year shall be sent to EPA by March 31 of the following year. Each report shall also include the following information:

- (1) The name and location of the mill.
- (2) The name of the person responsible for the operation of the facility and the name of the person preparing the report (if different).
- (3) The results of the testing conducted, including the results of each measurement.
- (4) Each report shall be signed and dated by a corporate officer in charge of the facility and contain the following declaration immediately above the signature line: "I certify under penalty of law that I have personally examined and am familiar with the information submitted herein and based on my inquiry of those individuals immediately responsible for obtaining the information, I believe that the submitted information is true, accurate and complete. I am aware that there are significant penalties for submitting false information including the possibility of fine and imprisonment. See, 18 U.S.C. 1001."

(b) If the facility is not in compliance with the emission limits of § 61.252 in the calendar year covered by the report, then the facility must commence reporting to the Administrator on a monthly basis the information listed in paragraph (a) of this section, for the preceding month. These reports will start the month immediately following the submittal of the annual report for the year in noncompliance and will be due 30 days following the end of each month. This increased level of reporting will continue until the Administrator has determined that the monthly reports are no longer necessary. In

**40 CFR Ch. I (7-1-00 Edition)**

addition to all the information required in paragraph (a) of this section, monthly reports shall also include the following information:

- (1) All controls or other changes in operation of the facility that will be or are being installed to bring the facility into compliance.
- (2) If the facility is under a judicial or administrative enforcement decree, the report will describe the facilities performance under the terms of the decree.
- (c) The first report will cover the emissions of calendar year 1990.

**§ 61.255 Recordkeeping requirements.**

The owner or operator of the mill must maintain records documenting the source of input parameters including the results of all measurements upon which they are based, the calculations and/or analytical methods used to derive values for input parameters, and the procedure used to determine compliance. In addition, the documentation should be sufficient to allow an independent auditor to verify the accuracy of the determination made concerning the facility's compliance with the standard. These records must be kept at the mill for at least five years and upon request be made available for inspection by the Administrator, or his authorized representative.

**§ 61.256 Exemption from the reporting and testing requirements of 40 CFR 61.10.**

All facilities designated under this subpart are exempt from the reporting requirements of 40 CFR 61.10.

**Subpart X [Reserved]**

**Subpart Y—National Emission Standard for Benzene Emissions From Benzene Storage Vessels**

SOURCE: 54 FR 38077, Sept. 14, 1989, unless otherwise noted.

**§ 61.270 Applicability and designation of sources.**

(a) The source to which this subpart applies is each storage vessel that is

storing benzene having a specific gravity within the range of specific gravities specified in ASTM D 836-84 for Industrial Grade Benzene, ASTM D 835-85 for Refined Benzene-485, ASTM D 2359-85a for Refined Benzene-535, and ASTM D 4734-87 for Refined Benzene-545. These specifications are incorporated by reference as specified in § 61.18.

(b) Except for paragraph (b) in § 61.276, storage vessels with a design storage capacity less than 38 cubic meters (10,000 gallons) are exempt from the provisions of this subpart.

(c) This subpart does not apply to storage vessels used for storing benzene at coke by-product facilities.

(d) This subpart does not apply to vessels permanently attached to motor vehicles such as trucks, rail cars, barges, or ships.

(e) This subpart does not apply to pressure vessels designed to operate in excess of 204.9 kPa and without emissions to the atmosphere.

(f) A designated source subject to the provisions of this subpart that is also subject to applicable provisions of 40 CFR part 60 subparts K, Ka, and Kb shall be required to comply only with the subpart that contains the most stringent requirements for that source.

#### § 61.271 Emission standard.

The owner or operator of each storage vessel with a design storage capacity greater than or equal to 38 cubic meters (10,000 gallons) to which this subpart applies shall comply with the requirements in paragraph (d) of this section and with the requirements either in paragraph (a), (b), or (c) of this section, or equivalent as provided in § 61.273.

(a) The storage vessel shall be equipped with a fixed roof and an internal floating roof.

(1) An internal floating roof means a cover that rests on the liquid surface (but not necessarily in complete contact with it) inside a storage vessel that has a permanently affixed roof. The internal floating roof shall be floating on the liquid surface at all times, except during initial fill and during those intervals when the storage vessel is completely emptied or subsequently emptied and refilled.

When the roof is resting on the leg supports, the process of filling, emptying, or refilling shall be continuous and shall be accomplished as rapidly as possible.

(2) Each internal floating roof shall be equipped with one of the closure devices listed in paragraphs (a)(2) (i), (ii), or (iii) of this section between the wall of the storage vessel and the edge of the internal floating roof. This requirement does not apply to each existing storage vessel for which construction of an internal floating roof equipped with a continuous seal commenced on or before July 28, 1988. A continuous seal means a seal that forms a continuous closure that completely covers the space between the wall of the storage vessel and the edge of the internal floating roof.

(i) A foam- or liquid-filled seal mounted in contact with the liquid (liquid-mounted seal). A liquid-mounted seal means a foam- or liquid-filled seal mounted in contact with the liquid between the wall of the storage vessel and the floating roof continuously around the circumference of the vessel.

(ii) Two seals mounted one above the other so that each forms a continuous closure that completely covers the space between the wall of the storage vessel and the edge of the internal floating roof. The lower seal may be vapor-mounted, but both must be continuous.

(iii) A metallic shoe seal. A metallic shoe seal (also referred to as a mechanical shoe seal) is, but is not limited to, a metal sheet held vertically against the wall of the storage vessel by springs or weighted levers and is connected by braces to the floating roof. A flexible coated fabric (envelope) spans the annular space between the metal sheet and the floating roof.

(3) Automatic bleeder vents are to be closed at all times when the roof is floating, except when the roof is being floated off or is being landed on the roof leg supports.

(4) Each opening in a noncontact internal floating roof except for automatic bleeder vents (vacuum breaker vents) and the rim space vents is to provide a projection below the liquid surface.

**§ 61.271**

**40 CFR Ch. I (7-1-00 Edition)**

(5) Each internal floating roof shall meet the specifications listed below. If an existing storage vessel had an internal floating roof with a continuous seal as of July 28, 1988, the requirements listed below do not have to be met until the first time after September 14, 1989, the vessel is emptied and degassed or September 14, 1999, whichever occurs first.

(i) Each opening in the internal floating roof except for leg sleeves, automatic bleeder vents, rim space vents, column wells, ladder wells, sample wells, and stub drains is to be equipped with a cover or lid. The cover or lid shall be equipped with a gasket. Covers on each access hatch and automatic gauge float well shall be bolted.

(ii) Each penetration of the internal floating roof for the purposes of sampling shall be a sample well. Each sample well shall have a slit fabric cover that covers at least 90 percent of the opening.

(iii) Each automatic bleeder vent shall be gasketed.

(iv) Rim space vents shall be equipped with a gasket.

(v) Each penetration of the internal floating roof that allows for passage of a ladder shall have a gasketed sliding cover.

(vi) Each penetration of the internal floating roof that allows for passage of a column supporting the fixed roof shall have a flexible fabric sleeve seal or a gasketed sliding cover.

(6) Each cover or lid on any opening in the internal floating roof shall be closed (i.e., no visible gaps), except when a device is in actual use. Covers on each access hatch and each automatic gauge float well which are equipped with bolts shall be bolted when they are not in use. Rim space vents are to be set to open only when the internal floating roof is not floating or at the manufacturer's recommended setting.

(b) The storage vessel shall have an external floating roof.

(1) An external floating roof means a pontoon-type or double-deck-type cover that rests on the liquid surface in a vessel with no fixed roof.

(2) Each external floating roof shall be equipped with a closure device between the wall of the storage vessel

and the roof edge. Except as provided in paragraph (b)(5) of this section, the closure device is to consist of two seals, one above the other. The lower seal is referred to as the primary seal and the upper seal is referred to as the secondary seal.

(i) The primary seal shall be either a metallic shoe seal or a liquid-mounted seal. A liquid-mounted seal means a foam- or liquid-filled seal mounted in contact with the liquid between the wall of the storage vessel and the floating roof continuously around the circumference of the vessel. A metallic shoe seal (which can also be referred to as a mechanical shoe seal) is, but is not limited to, a metal sheet held vertically against the wall of the storage vessel by springs or weighted levers and is connected by braces to the floating roof. A flexible coated fabric (envelope) spans the annular space between the metal sheet and the floating roof. Except as provided in § 61.272(b)(4), the primary seal shall completely cover the annular space between the edge of the floating roof and the vessel wall.

(ii) The secondary seal shall completely cover the annular space between the external floating roof and the wall of the storage vessel in a continuous fashion except as allowed in § 61.272(b)(4).

(3) Except for automatic bleeder vents and rim space vents, each opening in the noncontact external floating roof shall provide a projection below the liquid surface. Except for automatic bleeder vents, rim space vents, roof drains, and leg sleeves, each opening in the roof is to be equipped with a gasketed cover, seal or lid which is to be maintained in a closed position at all times (i.e., no visible gap) except when the device is in actual use. Automatic bleeder vents are to be closed at all times when the roof is floating, except when the roof is being floated off or is being landed on the roof leg supports. Rim vents are to be set to open when the roof is being floated off the roof leg supports or at the manufacturer's recommended setting. Automatic bleeder vents and rim space vents are to be gasketed. Each emergency roof drain is to be provided with a slotted membrane fabric cover that covers at

## Environmental Protection Agency

## § 61.272

least 90 percent of the area of the opening.

(4) The roof shall be floating on the liquid at all times (i.e., off the roof leg supports) except during initial fill until the roof is lifted off leg supports and when the vessel is completely emptied and subsequently refilled. The process of emptying and refilling when the roof is resting on the leg supports shall be continuous and shall be accomplished as rapidly as possible.

(5) The requirement for a secondary seal does not apply to each existing storage vessel that was equipped with a liquid-mounted primary seal as of July 28, 1988, until after the first time after September 14, 1989, when the vessel is emptied and degassed or 10 years from September 14, 1989, whichever occurs first.

(c) The storage vessel shall be equipped with a closed vent system and a control device.

(1) The closed vent system shall be designed to collect all benzene vapors and gases discharged from the storage vessel and operated with no detectable emissions, as indicated by an instrument reading of less than 500 ppm above background and visual inspections, as determined in §61.242-11 (subpart V).

(2) The control device shall be designed and operated to reduce inlet benzene emissions by 95 percent or greater. If a flare is used as the control device, it shall meet the specifications described in the general control device requirements of 40 CFR 60.18.

(3) The specifications and requirements listed in paragraphs (c)(1) and (c)(2) of this section for closed vent systems and control devices do not apply during periods of routine maintenance. During periods of routine maintenance, the benzene level in the storage vessel(s) serviced by the control device subject to the provisions of §61.271(c) may be lowered but not raised. Periods of routine maintenance shall not exceed 72 hours as outlined in the maintenance plan required by §61.272(c)(1)(iii).

(4) The specifications and requirements listed in paragraphs (c)(1) and (c)(2) of this section for closed vents and control devices do not apply during a control system malfunction. A con-

trol system malfunction means any sudden and unavoidable failure of air pollution control equipment. A failure caused entirely or in part by design deficiencies, poor maintenance, careless operation, or other preventable upset condition or equipment breakdown is not considered a malfunction.

(d) The owner or operator of each affected storage vessel shall meet the requirements of paragraph (a), (b), or (c) of this section as follows:

(1) The owner or operator of each existing benzene storage vessel shall meet the requirements of paragraph (a), (b), or (c) of this section no later than 90 days after September 14, 1989, with the exceptions noted in paragraphs (a)(5) and (b)(5), unless a waiver of compliance has been approved by the Administrator in accordance with §61.11.

(2) The owner or operator of each benzene storage vessel upon which construction commenced after September 14, 1989, shall meet the requirements of paragraph (a), (b), or (c) of this section prior to filling (i.e., roof is lifted off leg supports) the storage vessel with benzene.

(3) The owner or operator of each benzene storage vessel upon which construction commenced on or after July 28, 1988, and before September 14, 1989, shall meet the requirements of paragraph (a), (b), or (c) of this section on September 14, 1989.

[54 FR 38077, Sept. 14, 1989; 54 FR 50887, Dec. 11, 1989]

### § 61.272 Compliance provisions.

(a) For each vessel complying with §61.271(a) (fixed roof and internal floating roof) each owner or operator shall:

(1) After installing the control equipment required to comply with §61.271(a), visually inspect the internal floating roof, the primary seal, and the secondary seal (if one is in service), prior to filling the storage vessel with benzene. If there are holes, tears or other openings in the primary seal, the secondary seal, or the seal fabric, or defects in the internal floating roof, the owner or operator shall repair the items before filling the storage vessel.

(2) Visually inspect the internal floating roof and the primary seal or the secondary seal (if one is in service)

through manholes and roof hatches on the fixed roof at least once every 12 months after initial fill, or at least once every 12 months after September 14, 1989, except as provided in paragraph (a)(4)(i) of this section. If the internal floating roof is not resting on the surface of the benzene liquid inside the storage vessel, or there is liquid on the roof, or the seal is detached, or there are holes or tears in the seal fabric, the owner or operator shall repair the items or empty and remove the storage vessel from service within 45 days. If a failure that is detected during inspections required in this paragraph cannot be repaired within 45 days and if the vessel cannot be emptied within 45 days, an extension of up to 30 additional days may be requested from the Administrator in the inspection report required in §61.275(a). Such a request for an extension must document that alternate storage capacity is unavailable and specify a schedule of actions the company will take that will ensure that the control equipment will be repaired or the vessel will be emptied as soon as possible.

(3) Visually inspect the internal floating roof, the primary seal, the secondary seal (if one is in service), gaskets, slotted membranes and sleeve seals (if any) each time the storage vessel is emptied and degassed. In no event shall inspections conducted in accordance with this provision occur at intervals greater than 10 years in the case of vessels conducting the annual visual inspections as specified in paragraph (a)(2) of this section and at intervals greater than 5 years in the case of vessels specified in paragraph (a)(4)(i) of this section.

(i) For all the inspections required by paragraphs (a)(1) and (a)(3) of this section, the owner or operator shall notify the Administrator in writing at least 30 days prior to the refilling of each storage vessel to afford the Administrator the opportunity to have an observer present. If the inspection required by paragraph (a)(3) of this section is not planned and the owner or operator could not have known about the inspection 30 days in advance of refilling the vessel, the owner or operator shall notify the Administrator at least 7 days prior to the refilling of the stor-

age vessel. Notification shall be made by telephone immediately followed by written documentation demonstrating why the inspection was unplanned. Alternatively, the notification including the written documentation may be made in writing and sent by express mail so that it is received by the Administrator at least 7 days prior to refilling.

(ii) If the internal floating roof has defects, the primary seal has holes, tears, or other openings in the seal or the seal fabric, or the secondary seal has holes, tears, or other openings in the seal or the seal fabric, or the gaskets no longer close off the liquid surfaces from the atmosphere, or the slotted membrane has more than 10 percent open area, the owner or operator shall repair the items as necessary so that none of the conditions specified in this paragraph exist before refilling the storage vessel with benzene.

(4) For vessels equipped with a double-seal system as specified in §61.271(a)(2)(ii):

(i) Visually inspect the vessel as specified in paragraph (a)(3) of this section at least every 5 years; or

(ii) Visually inspect the vessel annually as specified in paragraph (a)(2) of this section, and at least every 10 years as specified in paragraph (a)(3) of this section.

(b) For each vessel complying with §61.271(b) (external floating roof) the owner or operator shall:

(1) Determine the gap areas and maximum gap widths between the primary seal and the wall of the storage vessel, and the secondary seal and the wall of the storage vessel according to the following frequency.

(i) For an external floating roof vessel equipped with primary and secondary seals, measurements of gaps between the vessel wall and the primary seal (seal gaps) shall be performed during the hydrostatic testing of the vessel or within 90 days of the initial fill with benzene or within 90 days of September 14, 1989, whichever occurs last, and at least once every 5 years thereafter, except as provided in paragraph (b)(1)(ii) of this section.

(ii) For an external floating roof vessel equipped with a liquid-mounted primary seal and without a secondary seal



## Environmental Protection Agency

## § 61.272

as provided for in § 61.271(b)(5), measurement of gaps between the vessel wall and the primary seal (seal gaps) shall be performed within 90 days of September 14, 1989, and at least once per year thereafter. When a secondary seal is installed over the primary seal, measurement of primary seal gaps shall be performed within 90 days of installation and at least once every 5 years thereafter.

(iii) For an external floating roof vessel equipped with primary and secondary seals, measurements of gaps between the vessel wall and the secondary seal shall be performed within 90 days of the initial fill with benzene, within 90 days of installation of the secondary seal, or within 90 days after September 14, 1989, whichever occurs last, and at least once per year thereafter.

(iv) If any source ceases to store benzene for a period of 1 year or more, subsequent introduction of benzene into the vessel shall be considered an initial fill for the purposes of paragraphs (b)(1)(i), (b)(1)(ii), and (b)(1)(iii) of this section.

(2) Determine gap widths and areas in the primary and secondary seals individually by the following procedures:

(i) Measure seal gaps, if any, at one or more floating roof levels when the roof is floating off the roof leg supports.

(ii) Measure seal gaps around the entire circumference of the vessel in each place where a 0.32 centimeter (cm) (1/8 in) diameter uniform probe passes freely (without forcing or binding against the seal) between the seal and the wall of the storage vessel and measure the circumferential distance of each such location.

(iii) The total surface area of each gap described in paragraph (b)(2)(ii) of this section shall be determined by using probes of various widths to measure accurately the actual distance from the vessel wall to the seal and multiplying each such width by its respective circumferential distance.

(3) Add the gap surface area of each gap location for the primary seal and the secondary seal individually. Divide the sum for each seal by the nominal diameter of the vessel and compare

each ratio to the respective standards in § 61.272(b)(4) and § 61.272(b)(5).

(4) Repair conditions that do not meet requirements listed in paragraph (b)(4) (i) and (ii) within 45 days of identification in any inspection or empty and remove the storage vessel from service within 45 days.

(i) The accumulated area of gaps between the vessel wall and the metallic shoe seal or the liquid-mounted primary seal shall not exceed 212 cm<sup>2</sup> per meter of vessel diameter (10.0 in<sup>2</sup> per foot of vessel diameter) and the width of any portion of any gap shall not exceed 3.81 cm (1½ in).

(A) One end of the metallic shoe is to extend into the stored liquid and the other end is to extend a minimum vertical distance of 61 cm (24 in) above the stored liquid surface.

(B) There are to be no holes, tears, or other openings in the shoe, seal fabric, or seal envelope.

(ii) The secondary seal is to meet the following requirements:

(A) The secondary seal is to be installed above the primary seal so that it completely covers the space between the roof edge and the vessel wall except as provided in paragraph (b)(4)(ii)(B) of this section.

(B) The accumulated area of gaps between the vessel wall and the secondary seal shall not exceed 21.2 cm<sup>2</sup> per meter of vessel diameter (1.0 in<sup>2</sup> per foot of vessel diameter) or the width of any portion of any gap shall not exceed 1.27 cm (½ in). These seal gap requirements may be exceeded during the measurement of primary seal gaps as required by paragraph (b)(1)(i) or (b)(1)(ii) of this section.

(C) There are to be no holes, tears, or other openings in the seal or seal fabric.

(iii) If a failure that is detected during inspections required in this paragraph cannot be repaired within 45 days and if the vessel cannot be emptied within 45 days, an extension of up to 30 additional days may be requested from the Administrator in the inspection report required in § 61.275(d). Such extension request must include a demonstration of unavailability of alternate storage capacity and a specification of a schedule that will assure

that the control equipment will be repaired or the vessel will be emptied as soon as possible.

(5) The owner or operator shall notify the Administrator 30 days in advance of any gap measurements required by paragraph (b)(1) of this section to afford the Administrator the opportunity to have an observer present.

(6) Visually inspect the external floating roof, the primary seal, secondary seal, and fittings each time the vessel is emptied and degassed.

(i) If the external floating roof has defects, the primary seal has holes, tears, or other openings in the seal or the seal fabric, or the secondary seal has holes, tears, or other openings in the seal or the seal fabric, the owner or operator shall repair the items as necessary so that none of the conditions specified in this paragraph exist before filling or refilling the storage vessel with benzene.

(ii) For all the inspections required by paragraph (b)(6) of this section, the owner or operator shall notify the Administrator in writing at least 30 days prior to filling or refilling of each storage vessel to afford the Administrator the opportunity to inspect the storage vessel prior to refilling. If the inspection required by paragraph (b)(6) of this section is not planned and the owner or operator could not have known about the inspection 30 days in advance of refilling the vessel, the owner or operator shall notify the Administrator at least 7 days prior to refilling of the storage vessel. Notification shall be made by telephone immediately followed by written documentation demonstrating why the inspection was unplanned. Alternatively, this notification including the written documentation may be made in writing and sent by express mail so that it is received by the Administrator at least 7 days prior to the refilling.

(c) The owner or operator of each source that is equipped with a closed vent system and control device as required in §60.271(c), other than a flare, shall meet the following requirements.

(1) Within 90 days after initial fill or after September 14, 1989, whichever comes last, submit for approval by the Administrator, an operating plan containing the information listed below.

(i) Documentation demonstrating that the control device being used achieves the required control efficiency during reasonably expected maximum loading conditions. This documentation is to include a description of the gas stream which enters the control device, including flow and benzene content under varying liquid level conditions (dynamic and static) and manufacturer's design specifications for the control device. If the control device or the closed vent capture system receives vapors, gases or liquids, other than fuels, from sources that are not designated sources under this subpart, the efficiency demonstration is to include consideration of all vapors, gases and liquids received by the closed vent capture system and control device. If an enclosed combustion device with a minimum residence time of 0.75 seconds and a minimum temperature of 816 °C is used to meet the 95 percent requirement, documentation that those conditions exist is sufficient to meet the requirements of this paragraph.

(ii) A description of the parameter or parameters to be monitored to ensure that the control device is operated and maintained in conformance with its design and an explanation of the criteria used for selection of that parameter (or parameters).

(iii) A maintenance plan for the system including the type of maintenance necessary, planned frequency of maintenance, and lengths of maintenance periods for those operations that would require the closed vent system or the control device to be out of compliance with §61.271(c). The maintenance plan shall require that the system be out of compliance with §61.271(c) for no more than 72 hours per year.

(2) Operate, monitor the parameters, and maintain the closed vent system and control device in accordance with the operating plan submitted to the Administrator in accordance with paragraph (c)(1) of this section, unless the plan was modified by the Administrator during the approval process. In this case, the modified plan applies.

(d) The owner or operator of each source that is equipped with a closed vent system and a flare to meet the requirements in §61.271(c) shall meet the

## Environmental Protection Agency

## § 61.275

requirements as specified in the general control device requirements in 40 CFR 60.18 (e) and (f).

### § 61.273 Alternative means of emission limitation.

(a) Upon written application from any person, the Administrator may approve the use of alternative means of emission limitation which have been demonstrated to his satisfaction to achieve a reduction in benzene emissions at least equivalent to the reduction in emissions achieved by any requirement in § 61.271 (a), (b), or (c) of this subpart.

(b) Determination of equivalence to the reduction in emissions achieved by the requirements of § 61.271 (a), (b), or (c) will be evaluated using the following information to be included in the written application to the Administrator:

(1) Actual emissions tests that use full-size or scale-model storage vessels that accurately collect and measure all benzene emissions from a given control device, and that accurately simulate wind and account for other emission variables such as temperature and barometric pressure.

(2) An engineering evaluation that the Administrator determines is an accurate method of determining equivalence.

(c) The Administrator may condition approval of equivalency on requirements that may be necessary to ensure operation and maintenance to achieve the same emission reduction as the requirements of § 61.271 (a), (b), or (c).

(d) If, in the Administrator's judgment, an application for equivalence may be approvable, the Administrator will publish a notice of preliminary determination in the FEDERAL REGISTER and provide the opportunity for public hearing. After notice and opportunity for public hearing, the Administrator will determine the equivalence of the alternative means of emission limitation and will publish the final determination in the FEDERAL REGISTER.

### § 61.274 Initial report.

(a) The owner or operator of each storage vessel to which this subpart applies and which has a design capacity greater than or equal to 38 cubic me-

ters (10,000 gallons) shall submit an initial report describing the controls which will be applied to meet the equipment requirements in § 61.271. For an existing storage vessel or a new storage vessel for which construction and operation commenced prior to September 14, 1989, this report shall be submitted within 90 days of September 14, 1989, and can be combined with the report required by § 61.10. For a new storage vessel for which construction or operation commenced on or after September 14, 1989, the report shall be combined with the report required by § 61.07. In the case where the owner or operator seeks to comply with § 61.271(c) with a control device other than a flare, this information may consist of the information required by § 61.272(c)(1).

(b) The owner or operator of each storage vessel seeking to comply with § 61.271(c) with a flare, shall submit a report containing the measurements required by 40 CFR 60.18(f) (1), (2), (3), (4), (5), and (6). For the owner or operator of an existing storage vessel not seeking to obtain a waiver or a new storage vessel for which construction and operation commenced prior to September 14, 1989, this report shall be combined with the report required by paragraph (a) of this section. For the owner or operator of an existing storage vessel seeking to obtain a waiver, the reporting date will be established in the response to the waiver request. For the owner or operator of a new storage vessel for which construction or operation commenced after September 14, 1989, the report shall be submitted within 90 days of the date the vessel is initially filled (or partially filled) with benzene.

### § 61.275 Periodic report.

(a) The owner or operator of each storage vessel to which this subpart applies after installing control equipment in accordance with § 61.271(a) (fixed roof and internal floating roof) shall submit a report describing the results of each inspection conducted in accordance with § 61.272(a). For vessels for which annual inspections are required under § 61.272(a)(2), the first report is to be submitted no more than 12 months

## §61.275

## 40 CFR Ch. I (7-1-00 Edition)

after the initial report submitted in accordance with §61.274, and each report is to be submitted within 60 days of each annual inspection.

(1) Each report shall include the date of the inspection of each storage vessel and identify each storage vessel in which:

(i) The internal floating roof is not resting on the surface of the benzene liquid inside the storage vessel, or there is liquid on the roof, or the seal is detached from the internal floating roof, or there are holes, tears or other openings in the seal or seal fabric; or

(ii) There are visible gaps between the seal and the wall of the storage vessel.

(2) Where an annual report identifies any condition in paragraph (a)(1) of this section the annual report shall describe the nature of the defect, the date the storage vessel was emptied, and the nature of and date the repair was made, except as provided in paragraph (a)(3) of this section.

(3) If an extension is requested in an annual periodic report in accordance with §61.272(a)(2), a supplemental periodic report shall be submitted within 15 days of repair. The supplemental periodic report shall identify the vessel and describe the date the storage vessel was emptied and the nature of and date the repair was made.

(b) The owner or operator of each storage vessel to which this subpart applies after installing control equipment in accordance with §61.271(a) (fixed roof and internal floating roof) shall submit a report describing the results of each inspection conducted in accordance with §61.272(a) (3) or (4).

(1) The report is to be submitted within 60 days of conducting each inspection required by §61.272(a) (3) or (4).

(2) Each report shall identify each storage vessel in which the owner or operator finds that the internal floating roof has defects, the primary seal has holes, tears, or other openings in the seal or the seal fabric, or the secondary seal (if one has been installed) has holes, tears, or other openings in the seal or the seal fabric, or the gaskets no longer close off the liquid surfaces from the atmosphere, or the slotted membrane has more than 10 percent open area. The report shall also

describe the nature of the defect, the date the storage vessel was emptied, and the nature of and date the repair was made.

(c) Any owner or operator of an existing storage vessel which had an internal floating roof with a continuous seal as of July 28, 1988, and which seeks to comply with the requirements of §61.271(a)(5) during the first time after September 14, 1989, when the vessel is emptied and degassed but no later than 10 years from September 14, 1989, shall notify the Administrator 30 days prior to the completion of the installation of such controls and the date of refilling of the vessel so the Administrator has an opportunity to have an observer present to inspect the storage vessel before it is refilled. This report can be combined with the one required by §61.275(b).

(d) The owner or operator of each storage vessel to which this subpart applies after installing control equipment in accordance with §61.271(b) (external floating roof) shall submit a report describing the results of each seal gap measurement made in accordance with §61.272(b). The first report is to be submitted no more than 12 months after the initial report submitted in accordance with §61.274(a), and each annual periodic report is to be submitted within 60 days of each annual inspection.

(1) Each report shall include the date of the measurement, the raw data obtained in the measurement, and the calculations described in §61.272(b) (2) and (3), and shall identify each storage vessel which does not meet the gap specifications of §61.272(b). Where an annual report identifies any vessel not meeting the seal gap specifications of §61.272(b) the report shall describe the date the storage vessel was emptied, the measures used to correct the condition and the date the storage vessel was brought into compliance.

(2) If an extension is requested in an annual periodic report in accordance with §61.272(b)(4)(iii), a supplemental periodic report shall be submitted within 15 days of repair. The supplemental periodic report shall identify the vessel and describe the date the vessel was emptied and the nature of and date the repair was made.

(e) Excess emission report.

## Environmental Protection Agency

## § 61.277

(1) The owner or operator of each source seeking to comply with § 61.271(c) (vessels equipped with closed vent systems with control devices) shall submit a quarterly report informing the Administrator of each occurrence that results in excess emissions. Excess emissions are emissions that occur at any time when compliance with the specifications and requirements of § 61.271(c) are not achieved, as evidenced by the parameters being measured in accordance with § 61.272(c)(1)(ii) if a control device other than a flare is used, or by the measurements required in § 61.272(d) and the general control device requirements in 40 CFR 60.18(f) (1) and (2) if a flare is used.

(2) The owner or operator shall submit the following information as a minimum in the report required by (e)(1) of this section:

(i) Identify the stack and other emission points where the excess emissions occurred;

(ii) A statement of whether or not the owner or operator believes a control system malfunction has occurred.

(3) If the owner or operator states that a control system malfunction has occurred, the following information as a minimum is also to be included in the report required under paragraph (e)(1) of this section:

(i) Time and duration of the control system malfunction as determined by continuous monitoring data (if any), or the inspections or monitoring done in accordance with the operating plan required by § 61.272(c).

(ii) Cause of excess emissions.

### § 61.276 Recordkeeping.

(a) Each owner or operator with a storage vessel subject to this subpart shall keep copies of all the reports and records required by this subpart for at least 2 years, except as specified in paragraphs (b) and (c)(1) of this section.

(b) Each owner or operator with a storage vessel, including any vessel which has a design storage capacity less than 38 cubic meters (10,000 gallons), shall keep readily accessible records showing the dimensions of the storage vessel and an analysis showing the capacity of the storage vessel. This record shall be kept as long as the stor-

age vessel is in operation. Each storage vessel with a design capacity of less than 38 cubic meters (10,000 gallons) is subject to no provisions of this subpart other than those required by this paragraph.

(c) The following information pertaining to closed vent system and control devices shall be kept in a readily accessible location.

(1) A copy of the operating plan. This record shall be kept as long as the closed vent system and control device is in use.

(2) A record of the measured values of the parameters monitored in accordance with § 61.272(c)(1)(ii) and § 61.272(c)(2).

(3) A record of the maintenance performed in accordance with § 61.272(c)(1)(iii) of the operating plan, including the following:

(i) The duration of each time the closed vent system and control device does not meet the specifications of § 61.271(c) due to maintenance, including the following:

(A) The first time of day and date the requirements of § 61.271(c) were not met at the beginning of maintenance.

(B) The first time of day and date the requirements of § 61.271(c) were met at the conclusion of maintenance.

(C) A continuous record of the liquid level in each storage vessel that the closed vent system and control device receive vapors from during the interval between the times specified by (c)(3)(i)(A) and (c)(3)(i)(B). Pumping records (simultaneous input and output) may be substituted for records of the liquid level.

### § 61.277 Delegation of authority.

(a) In delegating implementation and enforcement authority to a State under section 112(d) of the Act, the authorities contained in paragraph (b) of this section shall be retained by the Administrator and not transferred to a State.

(b) Authorities which will not be delegated to States: § 61.273.

### Subparts Z-AA [Reserved]

§ 61.300

40 CFR Ch. I (7-1-00 Edition)

**Subpart BB—National Emission Standard for Benzene Emissions From Benzene Transfer Operations**

shall be in compliance as required by § 61.12.

[55 FR 8341, Mar. 7, 1990, as amended at 55 FR 45804, Oct. 31, 1990]

SOURCE: At 55 FR 8341, Mar. 7, 1990, unless otherwise noted.

**§ 61.301 Definitions.**

**§ 61.300 Applicability.**

As used in this subpart, all terms not defined herein shall have the meaning given them in the Act, or in subpart A or subpart V of part 61.

(a) The affected facility to which this subpart applies is the total of all loading racks at which benzene is loaded into tank trucks, railcars, or marine vessels at each benzene production facility and each bulk terminal. However, specifically exempted from this regulation are loading racks at which only the following are loaded: Benzene-laden waste (covered under subpart FF of this part), gasoline, crude oil, natural gas liquids, petroleum distillates (e.g., fuel oil, diesel, or kerosene), or benzene-laden liquid from coke by-product recovery plants.

*Bulk terminal* means any facility which receives liquid product containing benzene by pipelines, marine vessels, tank trucks, or railcars, and loads the product for further distribution into tank trucks, railcars, or marine vessels.

(b) Any affected facility under paragraph (a) of this section which loads only liquid containing less than 70 weight-percent benzene is exempt from the requirements of this subpart, except for the recordkeeping and reporting requirements in § 61.305(i).

*Car-sealed* means having a seal that is placed on the device used to change the position of a valve (e.g., from open to closed) such that the position of the valve cannot be changed without breaking the seal and requiring the replacement of the old seal, once broken, with a new seal.

(c) Any affected facility under paragraph (a) of this section shall comply with the standards in § 61.302 at each loading rack that is handling a liquid containing 70 weight-percent or more benzene.

*Control device* means all equipment used for recovering or oxidizing benzene vapors displaced from the affected facility.

(d) Any affected facility under paragraph (a) of this section whose annual benzene loading is less than 1.3 million liters of 70 weight-percent or more benzene is exempt from the requirements of this subpart, except for the recordkeeping and reporting requirements in § 61.305(i).

*Incinerator* means any enclosed combustion device that is used for destroying organic compounds and that does not extract energy in the form of steam or process heat. These devices do not rely on the heating value of the waste gas to sustain efficient combustion. Auxiliary fuel is burned in the device and the heat from the fuel flame heats the waste gas to combustion temperature. Temperature is controlled by controlling combustion air or fuel.

(e) The owner or operator of an affected facility, as defined in § 61.300(a) that loads a marine vessel shall be in compliance with the provisions of this subpart on and after July 23, 1991. If an affected facility that loads a marine vessel also loads a tank truck or railcar, the marine vessel loading racks shall be in compliance with the provisions of this subpart on and after July 23, 1991, while the tank truck loading racks and the railcar loading racks

*Leak* means any instrument reading of 10,000 ppmv or greater using method 21 of 40 CFR part 60, appendix A.

*Loading cycle* means the time period from the beginning of filling a tank truck, railcar, or marine vessel until flow to the control device ceases, as measured by the flow indicator.

*Loading rack* means the loading arms, pumps, meters, shutoff valves, relief valves, and other piping and valves necessary to fill tank trucks, railcars, or marine vessels.

*Marine vessel* means any tank ship or tank barge which transports liquid product such as benzene.

*Nonvapor tight* means any tank truck, railcar, or marine vessel that does not pass the required vapor-tightness test.

*Process heater* means a device that transfers heat liberated by burning fuel to fluids contained in tubes, except water that is heated to produce steam.

*Steam generating unit* means any enclosed combustion device that uses fuel energy in the form of steam.

*Vapor collection system* means any equipment located at the affected facility used for containing benzene vapors displaced during the loading of tank trucks, railcars, or marine vessels. This does not include the vapor collection system that is part of any tank truck, railcar, or marine vessel vapor collection manifold system.

*Vapor-tight marine vessel* means a marine vessel with a benzene product tank that has been demonstrated within the preceding 12 months to have no leaks. This demonstration shall be made using method 21 of part 60, appendix A, during the last 20 percent of loading and during a period when the vessel is being loaded at its maximum loading rate. A reading of greater than 10,000 ppm as methane shall constitute a leak. As an alternative, a marine vessel owner or operator may use the vapor-tightness test described in § 61.304(f) to demonstrate vapor tightness. A marine vessel operated at negative pressure is assumed to be vapor-tight for the purpose of this standard.

*Vapor-tight tank truck or vapor-tight railcar* means a tank truck or railcar for which it has been demonstrated within the preceding 12 months that its product tank will sustain a pressure change of not more than 750 pascals within 5 minutes after it is pressurized to a minimum of 4,500 pascals. This capability is to be demonstrated using the pressure test procedure specified in method 27 of part 60, appendix A, and a pressure measurement device which has a precision of  $\pm 2.5$  mm water and which is capable of measuring above the pressure at which the tank truck or railcar is to be tested for vapor tightness.

#### § 61.302 Standards.

(a) The owner or operator of an affected facility shall equip each loading

rack with a vapor collection system that is:

(1) Designed to collect all benzene vapors displaced from tank trucks, railcars, or marine vessels during loading, and

(2) Designed to prevent any benzene vapors collected at one loading rack from passing through another loading rack to the atmosphere.

(b) The owner or operator of an affected facility shall install a control device and reduce benzene emissions routed to the atmosphere through the control device by 98 weight percent. If a boiler or process heater is used to comply with the percent reduction requirement, then the vent stream shall be introduced into the flame zone of such a device.

(c) The owner or operator of an affected facility shall operate any flare used to comply with paragraph (b) of this section in accordance with the requirements of § 60.18 (b) through (f).

(d) The owner or operator of an affected facility shall limit loading of benzene into vapor-tight tank trucks and vapor-tight railcars using the following procedures:

(1) The owner or operator shall obtain the vapor-tightness documentation described in § 61.305(h) for each tank truck or railcar loaded at the affected facility. The test date in the documentation must be within the preceding 12 months. The vapor-tightness test to be used for tank trucks and railcars is method 27 of part 60, appendix A.

(2) The owner or operator shall cross-check the identification number for each tank truck or railcar to be loaded with the file of vapor-tightness documentation before the corresponding tank truck or railcar is loaded. If no documentation is on file, the owner or operator shall obtain a copy of the information from the tank truck or railcar operator before the tank truck or railcar is loaded.

(3) Alternate procedures to those described in paragraphs (d)(1) and (d)(2) of this section may be used upon application to, and approval by, the Administrator.

(e) The owner or operator of an affected facility shall limit the loading of marine vessels to those vessels that

**§ 61.302****40 CFR Ch. I (7-1-00 Edition)**

are vapor tight as determined by either paragraph (e)(1), (e)(2), (e)(3), or (e)(4) of this section.

(1) The owner or operator of an affected facility shall ensure that each marine vessel is loaded with the benzene product tank below atmospheric pressure (i.e., at negative pressure). If the pressure is measured at the interface between the shoreside vapor collection pipe and the marine vessel vapor line, the pressure measured according to the procedures in §61.303(f) must be below atmospheric pressure.

(2) The owner or operator of an affected facility shall use the following procedure to obtain the vapor-tightness documentation described in §61.305(h). The vapor-tightness test for marine vessels is method 21 of part 60, appendix A, and shall be applied to any potential sources of vapor leaks. A reading of 10,000 ppmv or greater as methane shall constitute a leak.

(i) The owner or operator of an affected facility shall obtain the leak test documentation described in §61.305(h) for each marine vessel prior to loading, if available. The date of the test listed in the documentation must be within the 12 preceding months.

(ii) If there is no documentation of a successful leak test conducted on the marine vessel in the preceding 12 months, the owner or operator of an affected facility shall require that a leak test of the marine vessel be conducted during the final 20 percent of loading of the marine vessel or shall not load the vessel. The test shall be conducted when the marine vessel is being loaded at the maximum allowable loading rate.

(A) If no leak is detected, the owner or operator of an affected facility shall require that the documentation described in §61.305(h) is completed prior to departure of the vessel. The owner or operator of the affected facility shall retain a copy of the vapor-tightness documentation on file.

(B) If any leak is detected, the owner or operator of an affected facility shall require that the vapor-tightness failure be documented for the marine vessel owner or operator prior to departure of the vessel. The owner or operator of the affected facility shall retain a copy of the vapor-tightness documentation

on file. Delay of repair of equipment for which leaks have been detected will be allowed if the repair is technically infeasible without dry-docking the vessel. This equipment will be excluded from future method 21 tests until repairs are effected. Repair of this equipment shall occur the next time the vessel is dry-docked.

(iii) If the marine vessel has failed its most recent vapor-tightness test as described in §61.302(e)(2)(ii), the owner or operator of the affected facility shall require that the owner or operator of the nonvapor-tight marine vessel provide documentation that the leaks detected during the previous vapor-tightness test have been repaired, or proof that repair is technically infeasible without dry-docking the vessel. Once the repair documentation has been provided, the owner or operator may load the marine vessel. The owner or operator shall require that the vapor-tightness test described in §61.302(e)(2)(ii) be conducted during loading, and shall retain a copy of the vapor-tightness documentation on file.

(3) The owner or operator of an affected facility shall obtain a copy of the marine vessel's vapor-tightness documentation described in §61.305(h) for a test conducted within the preceding 12 months in accordance with §61.304(f).

(4) Alternate procedures to those described in paragraphs (e)(1), (e)(2) and (e)(3) of this section may be used upon application to, and approval by, the Administrator.

(f) The owner or operator of an affected facility shall limit loading of benzene to tank trucks, railcars, and marine vessels equipped with vapor collection equipment that is compatible with the affected facility's vapor collection system.

(g) The owner or operator of an affected facility shall limit loading of tank trucks, railcars, and marine vessels whose collection systems are connected to the affected facility's vapor collection systems.

(h) The owner or operator of an affected facility shall ensure that the vapor collection and benzene loading equipment of tank trucks and railcars



shall be designed and operated to prevent gauge pressure in the tank truck or railcar tank from exceeding, during loading, the initial pressure the tank was pressured up to and shown to be vapor tight at during the most recent vapor-tightness test using method 27 of part 60, appendix A. This vapor-tightness test pressure is not to be exceeded when measured by the procedures specified in §61.304(c).

(i) The owner or operator of an affected facility shall ensure that no pressure-vacuum vent in the affected facility's vapor collection system for tank trucks and railcars shall begin to open at a system pressure less than the maximum pressure at which the tank truck or railcar is operated.

(j) The owner or operator of an affected facility shall ensure that the maximum normal operating pressure of the marine vessel's vapor collection equipment shall not exceed 0.8 times the relief set pressure of the pressure-vacuum vents. This level is not to be exceeded when measured by the procedures specified in §61.304(d).

(k) The owner or operator of an affected facility shall inspect the vapor collection system and the control device for detectable emissions, and shall repair any leaks detected, in accordance with §61.242-11 (e) and (f). This inspection of the vapor collection system and control device shall be done during the loading of tank trucks, railcars, or marine vessels.

(l) Vent systems that contain valves that could divert a vent stream from a control device shall have car-sealed opened all valves in the vent system from the emission source to the control device, and car-sealed closed all valves in the vent system that would lead the vent stream to the atmosphere, either directly or indirectly, bypassing the control device.

#### § 61.303 Monitoring requirements.

(a) Each owner or operator of an affected facility that uses an incinerator to comply with the percent reduction requirement specified under §61.302(b) shall install, calibrate, maintain, and operate according to manufacturer's specifications a temperature monitoring device equipped with a continuous recorder and having an accuracy

of  $\pm 1$  percent of the combustion temperature being measured expressed in degrees Celsius or  $\pm 0.5^\circ\text{C}$ , whichever is greater.

(1) Where an incinerator other than a catalytic incinerator is used, the owner or operator of the affected facility shall install a temperature monitoring device in the firebox.

(2) Where a catalytic incinerator is used, the owner or operator shall install temperature monitoring devices in the gas stream immediately before and after the catalyst bed.

(b) Each owner or operator of an affected facility that uses a flare to comply with §61.302(b) shall install, calibrate, maintain, and operate according to manufacturer's specifications a heat sensing device, such as an ultraviolet beam sensor or thermocouple, at the pilot light to indicate the presence of a flame during the entire loading cycle.

(c) Each owner or operator of an affected facility that uses a steam generating unit or process heater to comply with §61.302(b) shall comply with the following requirements. Where a steam generating unit with a design heat input capacity of less than 44 MW is used to comply with §61.302(b), the owner or operator of an affected facility shall comply with paragraph (c)(1) of this section. Where a steam generating unit or process heater with a design heat input capacity of 44 MW or greater is used to comply with §61.302(b), the owner or operator of an affected facility shall comply with paragraph (c)(2) of this section.

(1) Install in the firebox, calibrate, maintain, and operate according to manufacturer's specifications a temperature monitoring device equipped with a continuous recorder and having an accuracy of  $\pm 1$  percent of the temperature being measured expressed in degrees Celsius or  $\pm 0.5^\circ\text{C}$ , whichever is greater, for steam generating units or process heaters of less than 44 MW design heat input capacity.

(2) Monitor and record the periods of operation of the steam generating units or process heater if the design heat input capacity of the steam generating unit or process heater is 44 MW or greater. The records must be readily available for inspection.

## § 61.304

## 40 CFR Ch. I (7-1-00 Edition)

(d) Each owner or operator of an affected facility that uses a carbon adsorption system to comply with the percent reduction requirement specified under § 61.302(b) shall install, calibrate, maintain, and operate according to manufacturer's specifications a device that continuously indicates and records the concentration or reading of organic compounds in the outlet gas stream of each carbon adsorber bed.

(e) The owner or operator of an affected facility who wishes to demonstrate compliance with the standards specified under § 61.302(b) using control devices other than an incinerator, steam generating unit, process heater, carbon adsorber, or flare shall provide the Administrator with information describing the operation of the control device and the process parameter(s) that would indicate proper operation and maintenance of the device. The Administrator may request further information and will specify appropriate monitoring procedures or requirements.

(f) Each owner or operator of an affected facility complying with § 61.302(e)(1) shall install, calibrate, maintain, and operate a recording pressure measurement device (magnehelic gauge or equivalent device) and an audible and visible alarm system that is activated when the pressure vacuum specified in § 61.302(e)(1) is not attained. The owner or operator shall place the alarm system so that it can be seen and heard where cargo transfer is controlled and on the open deck.

(g) Owners or operators using a vent system that contains valves that could divert a vent stream from a control device used to comply with the provisions of this subpart shall do one or a combination of the following:

(1) Install a flow indicator immediately downstream of each valve that if opened would allow a vent stream to bypass the control device and be emitted, either directly or indirectly, to the atmosphere. The flow indicator shall be capable of recording flow at least once every 15 minutes.

(2) Monitor the valves once a month, checking the position of the valves and the condition of the car seal, and identify all times when the car seals have been broken and the valve position has

been changed (*i.e.*, from opened to closed for valves in the vent piping to the control device and from closed to open for valves that allow the stream to be vented directly or indirectly to the atmosphere).

### § 61.304 Test methods and procedures.

(a) The procedures for determining compliance with § 61.302(b) for all control devices other than flares is as follows:

(1) All testing equipment shall be prepared and installed as specified in the appropriate test methods.

(2) The time period for a performance test shall be not less than 6 hours, during which at least 300,000 liters of benzene are loaded. If the throughput criterion is not met during the initial 6 hours, the test may be either continued until the throughput criterion is met, or resumed the next day with at least another 6 complete hours of testing.

(3) For intermittent control devices:

(i) The vapor holder level of the intermittent control device shall be recorded at the start of the performance test. The end of the performance test shall coincide with the time when the vapor holder is at its original level.

(ii) At least two startups and shutdowns of the control device shall occur during the performance test. If this does not occur under an automatically controlled operation, the system shall be manually controlled.

(4) An emission testing interval shall consist of each 5-minute period during the performance test. For each interval:

(i) The reading from each measurement instrument shall be recorded.

(ii) Method 1 or 1A of part 60, appendix A, as appropriate, shall be used for selection of the sampling site.

(iii) The volume exhausted shall be determined using method 2, 2A, 2C, or 2D of part 60, appendix A, as appropriate.

(iv) The average benzene concentration upstream and downstream of the control device in the vent shall be determined using method 25A or method 25B of appendix A of this part, using benzene as the calibration gas. The average benzene concentration shall correspond to the volume measurement by

**Environmental Protection Agency**

**§ 61.304**

taking into account the sampling system response time.

(5) The mass emitted during each testing interval shall be calculated as follows:

$$M_i = FKV_s C$$

where:

$M_i$ =Mass of benzene emitted during testing interval  $i$ , kg.

$V_s$ =Volume of air-vapor mixture exhausted,  $m^3$  at standard conditions.

$C$ =Benzene concentration (as measured) at the exhaust vent, ppmv.

$K$ =Density, (kg/ $m^3$  benzene), standard conditions.

$K$ =3.25 for benzene.

$F$ =Conversion factor, ( $m^3$  benzene/ $m^3$  air)(1/ppmv).

$F$ =10<sup>-6</sup>.

$s$ =Standard conditions, 20 °C and 760 mm Hg.

(6) The benzene mass emission rates before and after the control device shall be calculated as follows:

$$E = \frac{\sum_{i=1}^n M_i}{T}$$

where:

$E$ =Mass flow rate of benzene emitted, kg/hr.

$M_i$ =Mass of benzene emitted during testing interval  $i$ , kg.

$T$ =Total time of all testing intervals, hr.

$n$ =Number of testing intervals.

(7) The percent reduction across the control device shall be calculated as follows:

$$R = \frac{E_b - E_a}{E_b} (100)$$

where:

$R$ =Control efficiency of control device, %.

$E_b$ =Mass flow rate of benzene prior to control device, kg/hr.

$E_a$ =Mass flow rate of benzene after control device, kg/hr.

(b) When a flare is used to comply with §61.302(b), a performance test according to method 22 of appendix A of this part, shall be performed to determine visible emissions. The observation period shall be at least 2 hours and shall be conducted according to method 22. Performance testing shall be conducted during at least three complete loading cycles with a separate test run for each loading cycle. The observation period for detecting visible emissions shall encompass each loading cycle. In-

tegrated sampling to measure process vent stream flow rate shall be performed continuously during each loading cycle.

(c) For the purpose of determining compliance with §61.302(h), the following procedures shall be used:

(1) Calibrate and install a pressure measurement device (liquid manometer, magnehelic gauge, or equivalent instrument), which has a precision of  $\pm 2.5$  mm H<sub>2</sub>O in the range that the tank truck or railcar was initially pressured to during the most recent vapor-tightness test.

(2) Connect the pressure measurement device to a pressure tap in the affected facility's vapor collection system, located as close as possible to the connection with the tank truck or railcar.

(3) During the performance test, record the pressure every 5 minutes while a tank truck or railcar is being loaded, and record the highest instantaneous pressure that occurs during each loading cycle. Every loading rack shall be tested at least once during the performance test.

(4) If more than one loading rack is used simultaneously, then the performance test shall be conducted simultaneously to represent the maximum capacity.

(d) For the purpose of determining compliance with §61.302(j), the following procedures shall be used:

(1) Calibrate and install a pressure measurement device (liquid manometer, magnehelic gauge, or equivalent instrument), capable of measuring up to the relief set pressure of the pressure-vacuum vents.

(2) Connect the pressure measurement device to a pressure tap in the affected facility's vapor collection system, located as close as possible to the connection with the marine vessel.

(3) During the performance test, record the pressure every 5 minutes while a marine vessel is being loaded, and record the highest instantaneous pressure that occurs during each loading cycle.

(e) Immediately prior to a performance test required for determination of

**§ 61.305**

compliance with §61.302(b), all potential sources of vapor leakage in the affected facility's vapor collection system equipment shall be inspected for detectable emissions as required in §61.302(k). The monitoring shall be conducted only while a vapor-tight tank truck, railcar, or marine vessel is being loaded. All identified leaks in the terminal's vapor collection system shall be repaired prior to conducting the performance test.

(f) The following test method shall be used to comply with the marine vessel vapor-tightness requirements of §61.302(e)(3):

(1) Each benzene product tank shall be pressurized with dry air or inert gas to not less than 1.0 psig and not more than the pressure of the lowest relief valve setting.

(2) Once the pressure is obtained, the dry air or inert gas source shall be shut off.

(3) At the end of one-half hour, the pressure in the benzene product tank and piping shall be measured. The change in pressure shall be calculated using the following formula:

$$\Delta P = P_i - P_f$$

where:

$\Delta P$  = Change in pressure, inches of water.

$P_i$  = Pressure in tank when air/gas source is shut off, inches of water.

$P_f$  = Pressure in tank at the end of one-half hour after air/gas source is shut off, inches of water.

(4) The change in pressure,  $\Delta P$ , shall be compared to the pressure drop calculated using the following formula:

$$\Delta PM = 0.861 P_{ia} L/V$$

where:

$\Delta PM$  = Maximum allowable pressure change, inches of water.

$P_{ia}$  = Pressure in tank when air/gas source is shut off, pounds per square inch, absolute (psia).

$L$  = Maximum permitted loading rate of vessel, barrels per hour.

$V$  = Total volume of product tank, barrels.

(5) If  $\Delta P \leq \Delta PM$ , the vessel is vapor tight.

(6) If  $\Delta P > \Delta PM$ , the vessel is not vapor tight and the source of the leak must be identified and repaired prior to retesting.

[55 FR 8341, Mar. 7, 1990; 55 FR 12444, Apr. 3, 1990]

**§ 61.305 Reporting and recordkeeping.**

(a) Each owner or operator of an affected facility subject to the provisions of this subpart shall keep an up-to-date, readily accessible record of the following data measured during each performance test, and also include the following data in the report of the initial performance test required under §61.13. Where a steam generating unit or process heater with a design heat input capacity of 44 MW or greater is used to comply with §61.302(b), a report containing performance test data need not be submitted, but a report containing the information in §61.305(a)(3)(i) is required.

(1) Where an owner or operator subject to the provisions of this subpart is complying with §61.302(b) through use of an incinerator:

(i) The average firebox temperature of the incinerator (or the average temperature upstream and downstream of the catalyst bed), measured at least every 2 minutes during a loading cycle if the total time period of the loading cycle is less than 3 hours and every 15 minutes if the total time period of the loading cycle is equal to or greater than 3 hours. The measured temperature shall be averaged over the loading cycle.

(ii) The percent reduction of benzene determined as specified in §61.304(a) achieved by the incinerator.

(iii) The duration of the loading cycle.

(2) Where an owner or operator subject to the provisions of this subpart is complying with §61.302 (b) and (c) through use of a smokeless flare or other flare design (i.e., steam-assisted, air-assisted or nonassisted), all visible emission readings, heat content determination, flow rate measurements, maximum permitted velocity calculations, and exit velocity determinations made during the performance test, continuous records of the flare pilot flame monitoring measured continuously during the loading cycle, duration of all loading cycles and records of all loading cycles during which the pilot flame is absent for each vent stream.

(3) Where an owner or operator subject to the provisions of this subpart is complying with §61.302(b) through the

## Environmental Protection Agency

## § 61.305

use of a steam generating unit or process heater:

(i) A description of the location at which the vent stream is introduced into the steam generating unit or process heater.

(ii) The average combustion temperature of the steam generating unit or process heater with a design heat input capacity of less than 44 MW measured at least every 2 minutes during a loading cycle if the total time period of the loading cycle is less than 3 hours and every 15 minutes if the total time period of the loading cycle is equal to or greater than 3 hours. The measured temperature shall be averaged over the loading cycle.

(iii) The duration of the loading cycle.

(4) Where an owner or operator subject to the provisions of this subpart is complying with §61.302(b) through the use of a carbon adsorption system, the control efficiency, R, of the carbon adsorption system, and all supporting performance test data and calculations used to determine that value.

(5) Each owner or operator subject to the provisions of this subpart shall submit with the initial performance test an engineering report describing in detail the vent system used to vent each affected vent stream to a control device. This report shall include all valves and vent pipes that could vent the stream to the atmosphere, thereby bypassing the control device, and identify which valves are car-sealed opened and which valves are car-sealed closed.

(b) Each owner or operator subject to the provisions of this subpart shall keep up-to-date, readily accessible continuous records of the equipment operating parameters specified to be monitored under §61.303 (a), (c), and (d) as well as up-to-date, readily accessible records of periods of operation during which the parameter boundaries established during the most recent performance test are exceeded. The Administrator may at any time require a report of these data. Periods of operation during which the parameter boundaries established during the most recent performance tests are exceeded are defined as follows:

(1) For thermal incinerators, all loading cycles during which the average

combustion temperature was more than 28 °C below the average loading cycle combustion temperature during the most recent performance test at which compliance with §61.302(b) was determined.

(2) For catalytic incinerators, all loading cycles during which the average temperature of the vent stream immediately before the catalyst bed is more than 28 °C below the average temperature of the process vent stream during loading cycles during the most recent performance test at which compliance with §61.302(b) was determined.

(3) All loading cycles during which the average combustion temperature was more than 28 °C below the average combustion temperature during the most recent performance test at which compliance with §61.302(b) was determined for steam generating units or process heaters with a design heat input capacity of less than 44 MW.

(4) For steam generating units or process heaters, whenever there is a change in the location at which the vent stream is introduced into the flame zone as required under §61.302(b).

(5) For carbon adsorbers, all 3-hour periods of operation during which the average VOC concentration or reading of organics in the exhaust gases is more than 20 percent greater than the average exhaust gas concentration or reading measured by the organics monitoring device during the most recent determination of the recovery efficiency of the carbon adsorber that demonstrated that the facility was in compliance.

(c) If a vent system containing valves that could divert the emission stream away from the control device is used, each owner or operator subject to the provisions of this subpart shall keep for at least 2 years up-to-date, readily accessible continuous records of:

(1) All periods when flow is indicated if flow indicators are installed under §61.303(g)(1).

(2) All times when maintenance is performed on car-sealed valves, when the car seal is broken, and when the valve position is changed (i.e., from open to closed for valves in the vent piping to the control device and from closed to open for valves that vent the

## § 61.306

## 40 CFR Ch. I (7-1-00 Edition)

stream directly or indirectly to the atmosphere bypassing the control device) if valves are monitored under § 60.303(g)(2).

(d) Each owner or operator of an affected facility subject to the provisions of this subpart who uses a steam generating unit or process heater with a design heat input capacity of 44 MW or greater to comply with § 61.302(b) shall keep an up-to-date, readily accessible record of all periods of operation of the steam generating unit or process heater. Examples of such records could include records of steam use, fuel use, or monitoring data collected pursuant to other State or Federal regulatory requirements.

(e) Each owner or operator of an affected facility subject to the provisions of this subpart shall keep up-to-date, readily accessible records of the flare pilot flame monitoring specified under § 61.303(b), as well as up-to-date, readily accessible records of any absence of the pilot flame during a loading cycle.

(f) Each owner or operator of an affected facility subject to the requirements of § 61.302 shall submit to the Administrator quarterly reports of the following information. The owner or operator shall submit the initial report within 90 days after the effective date of this subpart or 90 days after startup for a source that has an initial startup date after the effective date.

(1) Periods of operation where there were exceedances of monitored parameters recorded under § 61.305(b).

(2) All periods recorded under § 61.305(c)(1) when the vent stream is diverted from the control device.

(3) All periods recorded under § 61.305(d) when the steam generating unit or process heater was not operating.

(4) All periods recorded under § 61.305(e) in which the pilot flame of the flare was absent.

(5) All times recorded under § 61.305(c)(2) when maintenance is performed on car-sealed valves, when the car seal is broken, and when the valve position is changed.

(g) The owner or operator of an affected facility shall keep the vapor-tightness documentation required under § 61.302 (d) and (e) on file at the

affected facility in a permanent form available for inspection.

(h) The owner or operator of an affected facility shall update the documentation file required under § 61.302 (d) and (e) for each tank truck, railcar, or marine vessel at least once per year to reflect current test results as determined by the appropriate method. The owner or operator shall include, as a minimum, the following information in this documentation:

- (1) Test title;
- (2) Tank truck, railcar, or marine vessel owner and address;
- (3) Tank truck, railcar, or marine vessel identification number;
- (4) Testing location;
- (5) Date of test;
- (6) Tester name and signature;
- (7) Witnessing inspector: name, signature, and affiliation; and
- (8) Test results, including, for railcars and tank trucks, the initial pressure up to which the tank was pressured at the start of the test.

(i) Each owner or operator of an affected facility complying with § 61.300(b) or § 61.300(d) shall record the following information. The first year after promulgation the owner or operator shall submit a report containing the requested information to the Director of the Emission Standards Division, (MD-13), U.S. Environmental Protection Agency, Research Triangle Park, North Carolina 27711. After the first year, the owner or operator shall continue to record; however, no reporting is required. The information shall be made available if requested. The information shall include, as a minimum:

- (1) The affected facility's name and address;
- (2) The weight percent of the benzene loaded;
- (3) The type of vessel loaded (i.e., tank truck, railcar, or marine vessel); and
- (4) The annual amount of benzene loaded into each type of vessel.

### § 61.306 Delegation of authority.

(a) In delegating implementation and enforcement authority to a State under section 112(d) of the Act, the authorities contained in paragraph (b) of this section shall be retained by the

## Environmental Protection Agency

## § 61.341

Administrator and not transferred to a State.

(b) Authorities which will not be delegated to States: No restrictions.

### Subparts CC–EE [Reserved]

### Subpart FF—National Emission Standard for Benzene Waste Operations

SOURCE: 55 FR 8346, Mar. 7, 1990, unless otherwise noted.

#### § 61.340 Applicability.

(a) The provisions of this subpart apply to owners and operators of chemical manufacturing plants, coke by-product recovery plants, and petroleum refineries.

(b) The provisions of this subpart apply to owners and operators of hazardous waste treatment, storage, and disposal facilities that treat, store, or dispose of hazardous waste generated by any facility listed in paragraph (a) of this section. The waste streams at hazardous waste treatment, storage, and disposal facilities subject to the provisions of this subpart are the benzene-containing hazardous waste from any facility listed in paragraph (a) of this section. A hazardous waste treatment, storage, and disposal facility is a facility that must obtain a hazardous waste management permit under subtitle C of the Solid Waste Disposal Act.

(c) At each facility identified in paragraph (a) or (b) of this section, the following waste is exempt from the requirements of this subpart:

(1) Waste in the form of gases or vapors that is emitted from process fluids:

(2) Waste that is contained in a segregated stormwater sewer system.

[55 FR 8346, Mar. 7, 1990, as amended at 55 FR 37231, Sept. 10, 1990; 58 FR 3095, Jan. 7, 1993]

#### § 61.341 Definitions.

*Benzene concentration* means the fraction by weight of benzene in a waste as determined in accordance with the procedures specified in § 61.355 of this subpart.

*Car-seal* means a seal that is placed on a device that is used to change the position of a valve (e.g., from opened to

closed) in such a way that the position of the valve cannot be changed without breaking the seal.

*Chemical manufacturing plant* means any facility engaged in the production of chemicals by chemical, thermal, physical, or biological processes for use as a product, co-product, by-product, or intermediate including but not limited to industrial organic chemicals, organic pesticide products, pharmaceutical preparations, paint and allied products, fertilizers, and agricultural chemicals. Examples of chemical manufacturing plants include facilities at which process units are operated to produce one or more of the following chemicals: benzenesulfonic acid, benzene, chlorobenzene, cumene, cyclohexane, ethylene, ethylbenzene, hydroquinone, linear alkylbenzene, nitrobenzene, resorcinol, sulfolane, or styrene.

*Closed-vent system* means a system that is not open to the atmosphere and is composed of piping, ductwork, connections, and, if necessary, flow inducing devices that transport gas or vapor from an emission source to a control device.

*Coke by-product recovery plant* means any facility designed and operated for the separation and recovery of coal tar derivatives (by-products) evolved from coal during the coking process of a coke oven battery.

*Container* means any portable waste management unit in which a material is stored, transported, treated, or otherwise handled. Examples of containers are drums, barrels, tank trucks, barges, dumpsters, tank cars, dump trucks, and ships.

*Control device* means an enclosed combustion device, vapor recovery system, or flare.

*Cover* means a device or system which is placed on or over a waste placed in a waste management unit so that the entire waste surface area is enclosed and sealed to minimize air emissions. A cover may have openings necessary for operation, inspection, and maintenance of the waste management unit such as access hatches, sampling ports, and gauge wells provided that each opening is closed and sealed when not in use. Example of covers include a fixed roof installed on a tank, a

lid installed on a container, and an air-supported enclosure installed over a waste management unit.

*External floating roof* means a pontoon-type or double-deck type cover with certain rim sealing mechanisms that rests on the liquid surface in a waste management unit with no fixed roof.

*Facility* means all process units and product tanks that generate waste within a stationary source, and all waste management units that are used for waste treatment, storage, or disposal within a stationary source.

*Fixed roof* means a cover that is mounted on a waste management unit in a stationary manner and that does not move with fluctuations in liquid level.

*Floating roof* means a cover with certain rim sealing mechanisms consisting of a double deck, pontoon single deck, internal floating cover or covered floating roof, which rests upon and is supported by the liquid being contained, and is equipped with a closure seal or seals to close the space between the roof edge and unit wall.

*Flow indicator* means a device which indicates whether gas flow is present in a line or vent system.

*Individual drain system* means the system used to convey waste from a process unit, product storage tank, or waste management unit to a waste management unit. The term includes all process drains and common junction boxes, together with their associated sewer lines and other junction boxes, down to the receiving waste management unit.

*Internal floating roof* means a cover that rests or floats on the liquid surface inside a waste management unit that has a fixed roof.

*Liquid-mounted seal* means a foam or liquid-filled primary seal mounted in contact with the liquid between the waste management unit wall and the floating roof continuously around the circumference.

*Loading* means the introduction of waste into a waste management unit but not necessarily to complete capacity (also referred to as filling).

*Maximum organic vapor pressure* means the equilibrium partial pressure exerted by the waste at the tempera-

ture equal to the highest calendar-month average of the waste storage temperature for waste stored above or below the ambient temperature or at the local maximum monthly average temperature as reported by the National Weather Service for waste stored at the ambient temperature, as determined:

- (1) In accordance with §60.17(c); or
- (2) As obtained from standard reference texts; or
- (3) In accordance with §60.17(a)(37); or
- (4) Any other method approved by the Administrator.

*No detectable emissions* means less than 500 parts per million by volume (ppmv) above background levels, as measured by a detection instrument reading in accordance with the procedures specified in §61.355(h) of this subpart.

*Oil-water separator* means a waste management unit, generally a tank or surface impoundment, used to separate oil from water. An oil-water separator consists of not only the separation unit but also the forebay and other separator basins, skimmers, weirs, grit chambers, sludge hoppers, and bar screens that are located directly after the individual drain system and prior to additional treatment units such as an air flotation unit, clarifier, or biological treatment unit. Examples of an oil-water separator include an API separator, parallel-plate interceptor, and corrugated-plate interceptor with the associated ancillary equipment.

*Petroleum refinery* means any facility engaged in producing gasoline, kerosene, distillate fuel oils, residual fuel oils, lubricants, or other products through the distillation of petroleum, or through the redistillation, cracking, or reforming of unfinished petroleum derivatives.

*Petroleum* means the crude oil removed from the earth and the oils derived from tar sands, shale, and coal.

*Point of waste generation* means the location where the waste stream exits the process unit component or storage tank prior to handling or treatment in an operation that is not an integral part of the production process, or in the case of waste management units that generate new wastes after treatment, the location where the waste



stream exits the waste management unit component.

*Process unit* means equipment assembled and connected by pipes or ducts to produce intermediate or final products. A process unit can be operated independently if supplied with sufficient fuel or raw materials and sufficient product storage facilities.

*Process unit turnaround* means the shutting down of the operations of a process unit, the purging of the contents of the process unit, the maintenance or repair work, followed by re-starting of the process.

*Process unit turnaround waste* means a waste that is generated as a result of a process unit turnaround.

*Process wastewater* means water which comes in contact with benzene during manufacturing or processing operations conducted within a process unit. Process wastewater is not organic wastes, process fluids, product tank drawdown, cooling tower blowdown, steam trap condensate, or landfill leachate.

*Process wastewater stream* means a waste stream that contains only process wastewater.

*Product tank* means a stationary unit that is designed to contain an accumulation of materials that are fed to or produced by a process unit, and is constructed primarily of non-earthen materials (e.g., wood, concrete, steel, plastic) which provide structural support.

*Product tank drawdown* means any material or mixture of materials discharged from a product tank for the purpose of removing water or other contaminants from the product tank.

*Segregated stormwater sewer system* means a drain and collection system designed and operated for the sole purpose of collecting rainfall runoff at a facility, and which is segregated from all other individual drain systems.

*Sewer line* means a lateral, trunk line, branch line, or other enclosed conduit used to convey waste to a downstream waste management unit.

*Slop oil* means the floating oil and solids that accumulate on the surface of an oil-water separator.

*Sour water stream* means a stream that:

(1) Contains ammonia or sulfur compounds (usually hydrogen sulfide) at

concentrations of 10 ppm by weight or more;

(2) Is generated from separation of water from a feed stock, intermediate, or product that contained ammonia or sulfur compounds; and

(3) Requires treatment to remove the ammonia or sulfur compounds.

*Sour water stripper* means a unit that:

(1) Is designed and operated to remove ammonia or sulfur compounds (usually hydrogen sulfide) from sour water streams;

(2) Has the sour water streams transferred to the stripper through hard piping or other enclosed system; and

(3) Is operated in such a manner that the offgases are sent to a sulfur recovery unit, processing unit, incinerator, flare, or other combustion device.

*Surface impoundment* means a waste management unit which is a natural topographic depression, man-made excavation, or diked area formed primarily of earthen materials (although it may be lined with man-made materials), which is designed to hold an accumulation of liquid wastes or waste containing free liquids, and which is not an injection well. Examples of surface impoundments are holding, storage, settling, and aeration pits, ponds, and lagoons.

*Tank* means a stationary waste management unit that is designed to contain an accumulation of waste and is constructed primarily of non-earthen materials (e.g., wood, concrete, steel, plastic) which provide structural support.

*Treatment process* means a stream stripping unit, thin-film evaporation unit, waste incinerator, or any other process used to comply with §61.348 of this subpart.

*Vapor-mounted seal* means a foam-filled primary seal mounted continuously around the perimeter of a waste management unit so there is an annular vapor space underneath the seal. The annular vapor space is bounded by the bottom of the primary seal, the unit wall, the liquid surface, and the floating roof.

*Waste* means any material resulting from industrial, commercial, mining or agricultural operations, or from community activities that is discarded or

is being accumulated, stored, or physically, chemically, thermally, or biologically treated prior to being discarded, recycled, or discharged.

*Waste management unit* means a piece of equipment, structure, or transport mechanism used in handling, storage, treatment, or disposal of waste. Examples of a waste management unit include a tank, surface impoundment, container, oil-water separator, individual drain system, steam stripping unit, thin-film evaporation unit, waste incinerator, and landfill.

*Waste stream* means the waste generated by a particular process unit, product tank, or waste management unit. The characteristics of the waste stream (e.g., flow rate, benzene concentration, water content) are determined at the point of waste generation. Examples of a waste stream include process wastewater, product tank drawdown, sludge and slop oil removed from waste management units, and landfill leachate.

*Wastewater treatment system* means any component, piece of equipment, or installation that receives, manages, or treats process wastewater, product tank drawdown, or landfill leachate prior to direct or indirect discharge in accordance with the National Pollutant Discharge Elimination System permit regulations under 40 CFR part 122. These systems typically include individual drain systems, oil-water separators, air flotation units, equalization tanks, and biological treatment units.

*Water seal controls* means a seal pot, p-leg trap, or other type of trap filled with water (e.g., flooded sewers that maintain water levels adequate to prevent air flow through the system) that creates a water barrier between the sewer line and the atmosphere. The water level of the seal must be maintained in the vertical leg of a drain in order to be considered a water seal.

[55 FR 8346, Mar. 7, 1990; 55 FR 12444, Apr. 3, 1990, as amended at 58 FR 3095, Jan. 7, 1993]

#### § 61.342 Standards: General.

(a) An owner or operator of a facility at which the total annual benzene quantity from facility waste is less than 10 megagrams per year (Mg/yr) shall be exempt from the requirements of paragraphs (b) and (c) of this sec-

tion. The total annual benzene quantity from facility waste is the sum of the annual benzene quantity for each waste stream at the facility that has a flow-weighted annual average water content greater than 10 percent or that is mixed with water, or other wastes, at any time and the mixture has an annual average water content greater than 10 percent. The benzene quantity in a waste stream is to be counted only once without multiple counting if other waste streams are mixed with or generated from the original waste stream. Other specific requirements for calculating the total annual benzene waste quantity are as follows:

(1) Wastes that are exempted from control under §§ 61.342(c)(2) and 61.342(c)(3) are included in the calculation of the total annual benzene quantity if they have an annual average water content greater than 10 percent, or if they are mixed with water or other wastes at any time and the mixture has an annual average water content greater than 10 percent.

(2) The benzene in a material subject to this subpart that is sold is included in the calculation of the total annual benzene quantity if the material has an annual average water content greater than 10 percent.

(3) Benzene in wastes generated by remediation activities conducted at the facility, such as the excavation of contaminated soil, pumping and treatment of groundwater, and the recovery of product from soil or groundwater, are not included in the calculation of total annual benzene quantity for that facility. If the facility's total annual benzene quantity is 10 Mg/yr or more, wastes generated by remediation activities are subject to the requirements of paragraphs (c) through (h) of this section. If the facility is managing remediation waste generated offsite, the benzene in this waste shall be included in the calculation of total annual benzene quantity in facility waste, if the waste streams have an annual average water content greater than 10 percent, or if they are mixed with water or other wastes at any time and the mixture has an annual average water content greater than 10 percent.

(4) The total annual benzene quantity is determined based upon the quantity

## Environmental Protection Agency

## § 61.342

of benzene in the waste before any waste treatment occurs to remove the benzene except as specified in §61.355(c)(1)(i) (A) through (C).

(b) Each owner or operator of a facility at which the total annual benzene quantity from facility waste is equal to or greater than 10 Mg/yr as determined in paragraph (a) of this section shall be in compliance with the requirements of paragraphs (c) through (h) of this section no later than 90 days following the effective date, unless a waiver of compliance has been obtained under §61.11, or by the initial startup for a new source with an initial startup after the effective date.

(1) The owner or operator of an existing source unable to comply with the rule within the required time may request a waiver of compliance under §61.10.

(2) As part of the waiver application, the owner or operator shall submit to the Administrator a plan under §61.10(b)(3) that is an enforceable commitment to obtain environmental benefits to mitigate the benzene emissions that result from extending the compliance date. The plan shall include the following information:

(i) A description of the method of compliance, including the control approach, schedule for installing controls, and quantity of the benzene emissions that result from extending the compliance date;

(ii) If the control approach involves a compliance strategy designed to obtain integrated compliance with multiple regulatory requirements, a description of the other regulations involved and their effective dates; and

(iii) A description of the actions to be taken at the facility to obtain mitigating environmental benefits, including how the benefits will be obtained, the schedule for these actions, and an estimate of the quantifiable benefits that directly result from these actions.

(c) Each owner or operator of a facility at which the total annual benzene quantity from facility waste is equal to or greater than 10 Mg/yr as determined in paragraph (a) of this section shall manage and treat the facility waste as follows:

(1) For each waste stream that contains benzene, including (but not lim-

ited to) organic waste streams that contain less than 10 percent water and aqueous waste streams, even if the wastes are not discharged to an individual drain system, the owner or operator shall:

(i) Remove or destroy the benzene contained in the waste using a treatment process or wastewater treatment system that complies with the standards specified in §61.348 of this subpart.

(ii) Comply with the standards specified in §§61.343 through 61.347 of this subpart for each waste management unit that receives or manages the waste stream prior to and during treatment of the waste stream in accordance with paragraph (c)(1)(i) of this section.

(iii) Each waste management unit used to manage or treat waste streams that will be recycled to a process shall comply with the standards specified in §§61.343 through 61.347. Once the waste stream is recycled to a process, including to a tank used for the storage of production process feed, product, or product intermediates, unless this tank is used primarily for the storage of wastes, the material is no longer subject to paragraph (c) of this section.

(2) A waste stream is exempt from paragraph (c)(1) of this section provided that the owner or operator demonstrates initially and, thereafter, at least once per year that the flow-weighted annual average benzene concentration for the waste stream is less than 10 ppmw as determined by the procedures specified in §61.355(c)(2) or §61.355(c)(3).

(3) A waste stream is exempt from paragraph (c)(1) of this section provided that the owner or operator demonstrates initially and, thereafter, at least once per year that the conditions specified in either paragraph (c)(3)(i) or (c)(3)(ii) of this section are met.

(i) The waste stream is process wastewater that has a flow rate less than 0.02 liters per minute or an annual wastewater quantity of less than 10 Mg/yr; or

(ii) All of the following conditions are met:

(A) The owner or operator does not choose to exempt process wastewater under paragraph (c)(3)(i) of this section,

(B) The total annual benzene quantity in all waste streams chosen for exemption in paragraph (c)(3)(ii) of this section does not exceed 2.0 Mg/yr as determined in the procedures in § 61.355(j), and

(C) The total annual benzene quantity in a waste stream chosen for exemption, including process unit turn-around waste, is determined for the year in which the waste is generated.

(d) As an alternative to the requirements specified in paragraphs (c) and (e) of this section, an owner or operator of a facility at which the total annual benzene quantity from facility waste is equal to or greater than 10 Mg/yr as determined in paragraph (a) of this section may elect to manage and treat the facility waste as follows:

(1) The owner or operator shall manage and treat facility waste other than process wastewater in accordance with the requirements of paragraph (c)(1) of this section.

(2) The owner or operator shall manage and treat process wastewater in accordance with the following requirements:

(i) Process wastewater shall be treated to achieve a total annual benzene quantity from facility process wastewater less than 1 Mg/yr. Total annual benzene from facility process wastewater shall be determined by adding together the annual benzene quantity at the point of waste generation for each untreated process wastewater stream plus the annual benzene quantity exiting the treatment process for each process wastewater stream treated in accordance with the requirements of paragraph (c)(1)(i) of this section.

(ii) Each treated process wastewater stream identified in paragraph (d)(2)(i) of this section shall be managed and treated in accordance with paragraph (c)(1) of this section.

(iii) Each untreated process wastewater stream identified in paragraph (d)(2)(i) of this section is exempt from the requirements of paragraph (c)(1) of this section.

(e) As an alternative to the requirements specified in paragraphs (c) and (d) of this section, an owner or operator of a facility at which the total annual benzene quantity from facility waste is equal to or greater than 10 Mg/

yr as determined in paragraph (a) of this section may elect to manage and treat the facility waste as follows:

(1) The owner or operator shall manage and treat facility waste with a flow-weighted annual average water content of less than 10 percent in accordance with the requirements of paragraph (c)(1) of this section; and

(2) The owner or operator shall manage and treat facility waste (including remediation and process unit turn-around waste) with a flow-weighted annual average water content of 10 percent or greater, on a volume basis as total water, and each waste stream that is mixed with water or wastes at any time such that the resulting mixture has an annual water content greater than 10 percent, in accordance with the following:

(i) The benzene quantity for the wastes described in paragraph (e)(2) of this section must be equal to or less than 6.0 Mg/yr, as determined in § 61.355(k). Wastes as described in paragraph (e)(2) of this section that are transferred offsite shall be included in the determination of benzene quantity as provided in § 61.355(k). The provisions of paragraph (f) of this section shall not apply to any owner or operator who elects to comply with the provisions of paragraph (e) of this section.

(ii) The determination of benzene quantity for each waste stream defined in paragraph (e)(2) of this section shall be made in accordance with § 61.355(k).

(f) Rather than treating the waste onsite, an owner or operator may elect to comply with paragraph (c)(1)(i) of this section by transferring the waste offsite to another facility where the waste is treated in accordance with the requirements of paragraph (c)(1)(i) of this section. The owner or operator transferring the waste shall:

(1) Comply with the standards specified in §§ 61.343 through 61.347 of this subpart for each waste management unit that receives or manages the waste prior to shipment of the waste offsite.

(2) Include with each offsite waste shipment a notice stating that the waste contains benzene which is required to be managed and treated in accordance with the provisions of this subpart.

## Environmental Protection Agency

## § 61.343

(g) Compliance with this subpart will be determined by review of facility records and results from tests and inspections using methods and procedures specified in § 61.355 of this subpart.

(h) Permission to use an alternative means of compliance to meet the requirements of §§ 61.342 through 61.352 of this subpart may be granted by the Administrator as provided in § 61.353 of this subpart.

[55 FR 8346, Mar. 7, 1990, as amended at 58 FR 3095, Jan. 7, 1993]

### § 61.343 Standards: Tanks.

(a) Except as provided in paragraph (b) of this section and in § 61.351, the owner or operator shall meet the following standards for each tank in which the waste stream is placed in accordance with § 61.342 (c)(1)(ii). The standards in this section apply to the treatment of the waste stream in a tank, including dewatering.

(1) The owner or operator shall install, operate, and maintain a fixed-roof and closed-vent system that routes all organic vapors vented from the tank to a control device.

(i) The fixed-roof shall meet the following requirements:

(A) The cover and all openings (e.g., access hatches, sampling ports, and gauge wells) shall be designed to operate with no detectable emissions as indicated by an instrument reading of less than 500 ppmv above background, as determined initially and thereafter at least once per year by the methods specified in § 61.355(h) of this subpart.

(B) Each opening shall be maintained in a closed, sealed position (e.g., covered by a lid that is gasketed and latched) at all times that waste is in the tank except when it is necessary to use the opening for waste sampling or removal, or for equipment inspection, maintenance, or repair.

(C) If the cover and closed-vent system operate such that the tank is maintained at a pressure less than atmospheric pressure, then paragraph (a)(1)(i)(B) of this section does not apply to any opening that meets all of the following conditions:

(1) The purpose of the opening is to provide dilution air to reduce the explosion hazard;

(2) The opening is designed to operate with no detectable emissions as indicated by an instrument reading of less than 500 ppmv above background, as determined initially and thereafter at least once per year by the methods specified in § 61.355(h); and

(3) The pressure is monitored continuously to ensure that the pressure in the tank remains below atmospheric pressure.

(ii) The closed-vent system and control device shall be designed and operated in accordance with the requirements of § 61.349 of this subpart.

(b) For a tank that meets all the conditions specified in paragraph (b)(1) of this section, the owner or operator may elect to comply with paragraph (b)(2) of this section as an alternative to the requirements specified in paragraph (a)(1) of this section.

(1) The waste managed in the tank complying with paragraph (b)(2) of this section shall meet all of the following conditions:

(i) Each waste stream managed in the tank must have a flow-weighted annual average water content less than or equal to 10 percent water, on a volume basis as total water.

(ii) The waste managed in the tank either:

(A) Has a maximum organic vapor pressure less than 5.2 kilopascals (kPa) (0.75 pounds per square inch (psi));

(B) Has a maximum organic vapor pressure less than 27.6 kPa (4.0 psi) and is managed in a tank having design capacity less than 151 m<sup>3</sup> (40,000 gal); or

(C) Has a maximum organic vapor pressure less than 76.6 kPa (11.1 psi) and is managed in a tank having a design capacity less than 75 m<sup>3</sup> (20,000 gal).

(2) The owner or operator shall install, operate, and maintain a fixed roof as specified in paragraph (a)(1)(i).

(3) For each tank complying with paragraph (b) of this section, one or more devices which vent directly to the atmosphere may be used on the tank provided each device remains in a closed, sealed position during normal operations except when the device needs to open to prevent physical damage or permanent deformation of the tank or cover resulting from filling or

## § 61.344

## 40 CFR Ch. I (7-1-00 Edition)

emptying the tank, diurnal temperature changes, atmospheric pressure changes or malfunction of the unit in accordance with good engineering and safety practices for handling flammable, explosive, or other hazardous materials.

(c) Each fixed-roof, seal, access door, and all other openings shall be checked by visual inspection initially and quarterly thereafter to ensure that no cracks or gaps occur and that access doors and other openings are closed and gasketed properly.

(d) Except as provided in § 61.350 of this subpart, when a broken seal or gasket or other problem is identified, or when detectable emissions are measured, first efforts at repair shall be made as soon as practicable, but not later than 45 calendar days after identification.

[55 FR 8346, Mar. 7, 1990, as amended at 55 FR 18331, May 2, 1990; 58 FR 3096, Jan. 7, 1993]

### § 61.344 Standards: Surface impoundments.

(a) The owner or operator shall meet the following standards for each surface impoundment in which waste is placed in accordance with § 61.342(c)(1)(ii) of this subpart:

(1) The owner or operator shall install, operate, and maintain on each surface impoundment a cover (e.g., air-supported structure or rigid cover) and closed-vent system that routes all organic vapors vented from the surface impoundment to a control device.

(i) The cover shall meet the following requirements:

(A) The cover and all openings (e.g., access hatches, sampling ports, and gauge wells) shall be designed to operate with no detectable emissions as indicated by an instrument reading of less than 500 ppmv above background, initially and thereafter at least once per year by the methods specified in § 61.355(h) of this subpart.

(B) Each opening shall be maintained in a closed, sealed position (e.g., covered by a lid that is gasketed and latched) at all times that waste is in the surface impoundment except when it is necessary to use the opening for waste sampling or removal, or for equipment inspection, maintenance, or repair.

(C) If the cover and closed-vent system operate such that the enclosure of the surface impoundment is maintained at a pressure less than atmospheric pressure, then paragraph (a)(1)(i)(B) of this section does not apply to any opening that meets all of the following conditions:

(1) The purpose of the opening is to provide dilution air to reduce the explosion hazard;

(2) The opening is designed to operate with no detectable emissions as indicated by an instrument reading of less than 500 ppmv above background, as determined initially and thereafter at least once per year by the methods specified in § 61.355(h) of this subpart; and

(3) The pressure is monitored continuously to ensure that the pressure in the enclosure of the surface impoundment remains below atmospheric pressure.

(D) The cover shall be used at all times that waste is placed in the surface impoundment except during removal of treatment residuals in accordance with 40 CFR 268.4 or closure of the surface impoundment in accordance with 40 CFR 264.228. (Note: the treatment residuals generated by these activities may be subject to the requirements of this part.)

(ii) The closed-vent system and control device shall be designed and operated in accordance with § 61.349 of this subpart.

(b) Each cover seal, access hatch, and all other openings shall be checked by visual inspection initially and quarterly thereafter to ensure that no cracks or gaps occur and that access hatches and other openings are closed and gasketed properly.

(c) Except as provided in § 61.350 of this subpart, when a broken seal or gasket or other problem is identified, or when detectable emissions are measured, first efforts at repair shall be made as soon as practicable, but not later than 15 calendar days after identification.

[55 FR 8346, Mar. 7, 1990, as amended at 58 FR 3097, Jan. 7, 1993]

**§ 61.345 Standards: Containers.**

(a) The owner or operator shall meet the following standards for each container in which waste is placed in accordance with § 61.342(c)(1)(ii) of this subpart:

(1) The owner or operator shall install, operate, and maintain a cover on each container used to handle, transfer, or store waste in accordance with the following requirements:

(i) The cover and all openings (e.g., bungs, hatches, and sampling ports) shall be designed to operate with no detectable emissions as indicated by an instrument reading of less than 500 ppmv above background, initially and thereafter at least once per year by the methods specified in § 61.355(h) of this subpart.

(ii) Except as provided in paragraph (a)(4) of this section, each opening shall be maintained in a closed, sealed position (e.g., covered by a lid that is gasketed and latched) at all times that waste is in the container except when it is necessary to use the opening for waste loading, removal, inspection, or sampling.

(2) When a waste is transferred into a container by pumping, the owner or operator shall perform the transfer using a submerged fill pipe. The submerged fill pipe outlet shall extend to within two fill pipe diameters of the bottom of the container while the container is being loaded. During loading of the waste, the cover shall remain in place and all openings shall be maintained in a closed, sealed position except for those openings required for the submerged fill pipe, those openings required for venting of the container to prevent physical damage or permanent deformation of the container or cover, and any openings complying with paragraph (a)(4) of this section.

(3) Treatment of a waste in a container, including aeration, thermal or other treatment, shall be performed by the owner or operator in a manner such that whenever it is necessary for the container to be open while the waste is being treated, the container is located under a cover (e.g. enclosure) with a closed-vent system that routes all organic vapors vented from the container to a control device, except for cover and closed-vent systems that meet the

requirements in paragraph (a)(4) of this section.

(i) The cover and all openings (e.g., doors, hatches) shall be designed to operate with no detectable emissions as indicated by an instrument reading of less than 500 ppmv above background, initially and thereafter at least once per year by the methods specified in § 61.355(h) of this subpart.

(ii) The closed-vent system and control device shall be designed and operated in accordance with § 61.349 of this subpart.

(4) If the cover and closed-vent system operate such that the container is maintained at a pressure less than atmospheric pressure, the owner or operator may operate the system with an opening that is not sealed and kept closed at all times if the following conditions are met:

(i) The purpose of the opening is to provide dilution air to reduce the explosion hazard;

(ii) The opening is designed to operate with no detectable emissions as indicated by an instrument reading of less than 500 ppmv above background, as determined initially and thereafter at least once per year by methods specified in § 61.355(h); and

(iii) The pressure is monitored continuously to ensure that the pressure in the container remains below atmospheric pressure.

(b) Each cover and all openings shall be visually inspected initially and quarterly thereafter to ensure that they are closed and gasketed properly.

(c) Except as provided in § 61.350 of this subpart, when a broken seal or gasket or other problem is identified, first efforts at repair shall be made as soon as practicable, but not later than 15 calendar days after identification.

[55 FR 8346, Mar. 7, 1990, as amended at 58 FR 3097, Jan. 7, 1993]

**§ 61.346 Standards: Individual drain systems.**

(a) Except as provided in paragraph (b) of this section, the owner or operator shall meet the following standards for each individual drain system in which waste is placed in accordance with § 61.342(c)(1)(ii) of this subpart:

(1) The owner or operator shall install, operate, and maintain on each

drain system opening a cover and closed-vent system that routes all organic vapors vented from the drain system to a control device.

(i) The cover shall meet the following requirements:

(A) The cover and all openings (e.g., access hatches, sampling ports) shall be designed to operate with no detectable emissions as indicated by an instrument reading of less than 500 ppmv above background, initially and thereafter at least once per year by the methods specified in §61.355(h) of this subpart.

(B) Each opening shall be maintained in a closed, sealed position (e.g., covered by a lid that is gasketed and latched) at all times that waste is in the drain system except when it is necessary to use the opening for waste sampling or removal, or for equipment inspection, maintenance, or repair.

(C) If the cover and closed-vent system operate such that the individual drain system is maintained at a pressure less than atmospheric pressure, then paragraph (a)(1)(i)(B) of this section does not apply to any opening that meets all of the following conditions:

(1) The purpose of the opening is to provide dilution air to reduce the explosion hazard;

(2) The opening is designed to operate with no detectable emissions as indicated by an instrument reading of less than 500 ppmv above background, as determined initially and thereafter at least once per year by the methods specified in §61.355(h); and

(3) The pressure is monitored continuously to ensure that the pressure in the individual drain system remains below atmospheric pressure.

(ii) The closed-vent system and control device shall be designed and operated in accordance with §61.349 of this subpart.

(2) Each cover seal, access hatch, and all other openings shall be checked by visual inspection initially and quarterly thereafter to ensure that no cracks or gaps occur and that access hatches and other openings are closed and gasketed properly.

(3) Except as provided in §61.350 of this subpart, when a broken seal or gasket or other problem is identified, or when detectable emissions are meas-

ured, first efforts at repair shall be made as soon as practicable, but not later than 15 calendar days after identification.

(b) As an alternative to complying with paragraph (a) of this section, an owner or operator may elect to comply with the following requirements:

(1) Each drain shall be equipped with water seal controls or a tightly sealed cap or plug.

(2) Each junction box shall be equipped with a cover and may have a vent pipe. The vent pipe shall be at least 90 cm (3 ft) in length and shall not exceed 10.2 cm (4 in) in diameter.

(i) Junction box covers shall have a tight seal around the edge and shall be kept in place at all times, except during inspection and maintenance.

(ii) One of the following methods shall be used to control emissions from the junction box vent pipe to the atmosphere:

(A) Equip the junction box with a system to prevent the flow of organic vapors from the junction box vent pipe to the atmosphere during normal operation. An example of such a system includes use of water seal controls on the junction box. A flow indicator shall be installed, operated, and maintained on each junction box vent pipe to ensure that organic vapors are not vented from the junction box to the atmosphere during normal operation.

(B) Connect the junction box vent pipe to a closed-vent system and control device in accordance with §61.349 of this subpart.

(3) Each sewer line shall not be open to the atmosphere and shall be covered or enclosed in a manner so as to have no visual gaps or cracks in joints, seals, or other emission interfaces.

(4) Equipment installed in accordance with paragraphs (b)(1), (b)(2), or (b)(3) of this section shall be inspected as follows:

(i) Each drain using water seal controls shall be checked by visual or physical inspection initially and thereafter quarterly for indications of low water levels or other conditions that would reduce the effectiveness of water seal controls.

(ii) Each drain using a tightly sealed cap or plug shall be visually inspected initially and thereafter quarterly to



## Environmental Protection Agency

## § 61.348

ensure caps or plugs are in place and properly installed.

(iii) Each junction box shall be visually inspected initially and thereafter quarterly to ensure that the cover is in place and to ensure that the cover has a tight seal around the edge.

(iv) The unburied portion of each sewer line shall be visually inspected initially and thereafter quarterly for indication of cracks, gaps, or other problems that could result in benzene emissions.

(5) Except as provided in §61.350 of this subpart, when a broken seal, gap, crack or other problem is identified, first efforts at repair shall be made as soon as practicable, but not later than 15 calendar days after identification.

[55 FR 8346, Mar. 7, 1990, as amended at 55 FR 37231, Sept. 10, 1990; 58 FR 3097, Jan. 7, 1993]

### § 61.347 Standards: Oil-water separators.

(a) Except as provided in §61.352 of this subpart, the owner or operator shall meet the following standards for each oil-water separator in which waste is placed in accordance with §61.342(c)(1)(ii) of this subpart:

(1) The owner or operator shall install, operate, and maintain a fixed-roof and closed-vent system that routes all organic vapors vented from the oil-water separator to a control device.

(i) The fixed-roof shall meet the following requirements:

(A) The cover and all openings (e.g., access hatches, sampling ports, and gauge wells) shall be designed to operate with no detectable emissions as indicated by an instrument reading of less than 500 ppmv above background, as determined initially and thereafter at least once per year by the methods specified in §61.355(h) of this subpart.

(B) Each opening shall be maintained in a closed, sealed position (e.g., covered by a lid that is gasketed and latched) at all times that waste is in the oil-water separator except when it is necessary to use the opening for waste sampling or removal, or for equipment inspection, maintenance, or repair.

(C) If the cover and closed-vent system operate such that the oil-water separator is maintained at a pressure

less than atmospheric pressure, then paragraph (a)(1)(i)(B) of this section does not apply to any opening that meets all of the following conditions:

(1) The purpose of the opening is to provide dilution air to reduce the explosion hazard;

(2) The opening is designed to operate with no detectable emissions as indicated by an instrument reading of less than 500 ppmv above background, as determined initially and thereafter at least once per year by the methods specified in §61.355(h); and

(3) The pressure is monitored continuously to ensure that the pressure in the oil-water separator remains below atmospheric pressure.

(ii) The closed-vent system and control device shall be designed and operated in accordance with the requirements of §61.349 of this subpart.

(b) Each cover seal, access hatch, and all other openings shall be checked by visual inspection initially and quarterly thereafter to ensure that no cracks or gaps occur between the cover and oil-water separator wall and that access hatches and other openings are closed and gasketed properly.

(c) Except as provided in §61.350 of this subpart, when a broken seal or gasket or other problem is identified, or when detectable emissions are measured, first efforts at repair shall be made as soon as practicable, but not later than 15 calendar days after identification.

[55 FR 8346, Mar. 7, 1990, as amended at 58 FR 3098, Jan. 7, 1993]

### § 61.348 Standards: Treatment processes.

(a) Except as provided in paragraph (a)(5) of this section, the owner or operator shall treat the waste stream in accordance with the following requirements:

(1) The owner or operator shall design, install, operate, and maintain a treatment process that either:

(i) Removes benzene from the waste stream to a level less than 10 parts per million by weight (ppmw) on a flow-weighted annual average basis,

(ii) Removes benzene from the waste stream by 99 percent or more on a mass basis, or

(iii) Destroys benzene in the waste stream by incinerating the waste in a combustion unit that achieves a destruction efficiency of 99 percent or greater for benzene.

(2) Each treatment process complying with paragraphs (a)(1)(i) or (a)(1)(ii) of this section shall be designed and operated in accordance with the appropriate waste management unit standards specified in §§ 61.343 through 61.347 of this subpart. For example, if a treatment process is a tank, then the owner or operator shall comply with § 61.343 of this subpart.

(3) For the purpose of complying with the requirements specified in paragraph (a)(1)(i) of this section, the intentional or unintentional reduction in the benzene concentration of a waste stream by dilution of the waste stream with other wastes or materials is not allowed.

(4) An owner or operator may aggregate or mix together individual waste streams to create a combined waste stream for the purpose of facilitating treatment of waste to comply with the requirements of paragraph (a)(1) of this section except as provided in paragraph (a)(5) of this section.

(5) If an owner or operator aggregates or mixes any combination of process wastewater, product tank drawdown, or landfill leachate subject to § 61.342(c)(1) of this subpart together with other waste streams to create a combined waste stream for the purpose of facilitating management or treatment of waste in a wastewater treatment system, then the wastewater treatment system shall be operated in accordance with paragraph (b) of this section. These provisions apply to above-ground wastewater treatment systems as well as those that are at or below ground level.

(b) Except for facilities complying with § 61.342(e), the owner or operator that aggregates or mixes individual waste streams as defined in paragraph (a)(5) of this section for management and treatment in a wastewater treatment system shall comply with the following requirements:

(1) The owner or operator shall design and operate each waste management unit that comprises the wastewater treatment system in accordance

with the appropriate standards specified in §§ 61.343 through 61.347 of this subpart.

(2) The provisions of paragraph (b)(1) of this section do not apply to any waste management unit that the owner or operator demonstrates to meet the following conditions initially and, thereafter, at least once per year:

(i) The benzene content of each waste stream entering the waste management unit is less than 10 ppmw on a flow-weighted annual average basis as determined by the procedures specified in § 61.355(c) of this subpart; and

(ii) The total annual benzene quantity contained in all waste streams managed or treated in exempt waste management units comprising the facility wastewater treatment systems is less than 1 Mg/yr. For this determination, total annual benzene quantity shall be calculated as follows:

(A) The total annual benzene quantity shall be calculated as the sum of the individual benzene quantities determined at each location where a waste stream first enters an exempt waste management unit. The benzene quantity discharged from an exempt waste management unit shall not be included in this calculation.

(B) The annual benzene quantity in a waste stream managed or treated in an enhanced biodegradation unit shall not be included in the calculation of the total annual benzene quantity, if the enhanced biodegradation unit is the first exempt unit in which the waste is managed or treated. A unit shall be considered enhanced biodegradation if it is a suspended-growth process that generates biomass, uses recycled biomass, and periodically removes biomass from the process. An enhanced biodegradation unit typically operates at a food-to-microorganism ratio in the range of 0.05 to 1.0 kg of biological oxygen demand per kg of biomass per day, a mixed liquor suspended solids ratio in the range of 1 to 8 grams per liter, and a residence time in the range of 3 to 36 hours.

(c) The owner and operator shall demonstrate that each treatment process or wastewater treatment system unit, except as provided in paragraph

(d) of this section, achieves the appropriate conditions specified in paragraphs (a) or (b) of this section in accordance with the following requirements:

(1) Engineering calculations in accordance with requirements specified in §61.356(e) of this subpart; or

(2) Performance tests conducted using the test methods and procedures that meet the requirements specified in §61.355 of this subpart.

(d) A treatment process or waste stream is in compliance with the requirements of this subpart and exempt from the requirements of paragraph (c) of this section provided that the owner or operator documents that the treatment process or waste stream is in compliance with other regulatory requirements as follows:

(1) The treatment process is a hazardous waste incinerator for which the owner or operator has been issued a final permit under 40 CFR part 270 and complies with the requirements of 40 CFR part 264, subpart O;

(2) The treatment process is an industrial furnace or boiler burning hazardous waste for energy recovery for which the owner or operator has been issued a final permit under 40 CFR part 270 and complies with the requirements of 40 CFR part 266, subpart D;

(3) The waste stream is treated by a means or to a level that meets benzene-specific treatment standards in accordance with the Land Disposal Restrictions under 40 CFR part 268, and the treatment process is designed and operated with a closed-vent system and control device meeting the requirements of §61.349 of this subpart;

(4) The waste stream is treated by a means or to a level that meets benzene-specific effluent limitations or performance standards in accordance with the Effluent Guidelines and Standards under 40 CFR parts 401-464, and the treatment process is designed and operated with a closed-vent system and control device meeting the requirements of §61.349 of this subpart; or

(5) The waste stream is discharged to an underground injection well for which the owner or operator has been issued a final permit under 40 CFR part 270 and complies with the requirements of 40 CFR part 122.

(e) Except as specified in paragraph (e)(3) of this section, if the treatment process or wastewater treatment system unit has any openings (e.g., access doors, hatches, etc.), all such openings shall be sealed (e.g., gasketed, latched, etc.) and kept closed at all times when waste is being treated, except during inspection and maintenance.

(1) Each seal, access door, and all other openings shall be checked by visual inspections initially and quarterly thereafter to ensure that no cracks or gaps occur and that openings are closed and gasketed properly.

(2) Except as provided in §61.350 of this subpart, when a broken seal or gasket or other problem is identified, first efforts at repair shall be made as soon as practicable, but not later than 15 calendar days after identification.

(3) If the cover and closed-vent system operate such that the treatment process and wastewater treatment system unit are maintained at a pressure less than atmospheric pressure, the owner or operator may operate the system with an opening that is not sealed and kept closed at all times if the following conditions are met:

(i) The purpose of the opening is to provide dilution air to reduce the explosion hazard;

(ii) The opening is designed to operate with no detectable emissions as indicated by an instrument reading of less than 500 ppmv above background, as determined initially and thereafter at least once per year by the methods specified in §61.355(h); and

(iii) The pressure is monitored continuously to ensure that the pressure in the treatment process and wastewater treatment system unit remain below atmospheric pressure.

(f) Except for treatment processes complying with paragraph (d) of this section, the Administrator may request at any time an owner or operator demonstrate that a treatment process or wastewater treatment system unit meets the applicable requirements specified in paragraphs (a) or (b) of this section by conducting a performance test using the test methods and procedures as required in §61.355 of this subpart.

(g) The owner or operator of a treatment process or wastewater treatment

system unit that is used to comply with the provisions of this section shall monitor the unit in accordance with the applicable requirements in § 61.354 of this subpart.

[55 FR 8346, Mar. 7, 1990, as amended at 55 FR 37231, Sept. 10, 1990; 58 FR 3098, Jan. 7, 1993]

**§ 61.349 Standards: Closed-vent systems and control devices.**

(a) For each closed-vent system and control device used to comply with standards in accordance with §§ 61.343 through 61.348 of this subpart, the owner or operator shall properly design, install, operate, and maintain the closed-vent system and control device in accordance with the following requirements:

(1) The closed-vent system shall:

(i) Be designed to operate with no detectable emissions as indicated by an instrument reading of less than 500 ppmv above background, as determined initially and thereafter at least once per year by the methods specified in § 61.355(h) of this subpart.

(ii) Vent systems that contain any bypass line that could divert the vent stream away from a control device used to comply with the provisions of this subpart shall install, maintain, and operate according to the manufacturer's specifications a flow indicator that provides a record of vent stream flow away from the control device at least once every 15 minutes, except as provided in paragraph (a)(1)(ii)(B) of this section.

(A) The flow indicator shall be installed at the entrance to any bypass line that could divert the vent stream away from the control device to the atmosphere.

(B) Where the bypass line valve is secured in the closed position with a car-seal or a lock-and-key type configuration, a flow indicator is not required.

(iii) All gauging and sampling devices shall be gas-tight except when gauging or sampling is taking place.

(iv) For each closed-vent system complying with paragraph (a) of this section, one or more devices which vent directly to the atmosphere may be used on the closed-vent system provided each device remains in a closed, sealed position during normal operations except when the device needs to

open to prevent physical damage or permanent deformation of the closed-vent system resulting from malfunction of the unit in accordance with good engineering and safety practices for handling flammable, explosive, or other hazardous materials.

(2) The control device shall be designed and operated in accordance with the following conditions:

(i) An enclosed combustion device (e.g., a vapor incinerator, boiler, or process heater) shall meet one of the following conditions:

(A) Reduce the organic emissions vented to it by 95 weight percent or greater;

(B) Achieve a total organic compound concentration of 20 ppmv (as the sum of the concentrations for individual compounds using Method 18) on a dry basis corrected to 3 percent oxygen; or

(C) Provide a minimum residence time of 0.5 seconds at a minimum temperature of 760 °C. If a boiler or process heater issued as the control device, then the vent stream shall be introduced into the flame zone of the boiler or process heater.

(ii) A vapor recovery system (e.g., a carbon adsorption system or a condenser) shall recover or control the organic emissions vented to it with an efficiency of 95 weight percent or greater, or shall recover or control the benzene emissions vented to it with an efficiency of 98 weight percent or greater.

(iii) A flare shall comply with the requirements of 40 CFR 60.18.

(iv) A control device other than those described in paragraphs (a)(2) (i) through (iii) of this section may be used provided that the following conditions are met:

(A) The device shall recover or control the organic emissions vented to it with an efficiency of 95 weight percent or greater, or shall recover or control the benzene emissions vented to it with an efficiency of 98 weight percent or greater.

(B) The owner or operator shall develop test data and design information that documents the control device will achieve an emission control efficiency of either 95 percent or greater for organic compounds or 98 percent or greater for benzene.

## Environmental Protection Agency

## § 61.350

(C) The owner or operator shall identify:

(1) The critical operating parameters that affect the emission control performance of the device;

(2) The range of values of these operating parameters that ensure the emission control efficiency specified in paragraph (a)(2)(iv)(A) of this section is maintained during operation of the device; and

(3) How these operating parameters will be monitored to ensure the proper operation and maintenance of the device.

(D) The owner or operator shall submit the information and data specified in paragraphs (a)(2)(iv)(B) and (C) of this section to the Administrator prior to operation of the alternative control device.

(E) The Administrator will determine, based on the information submitted under paragraph (a)(2)(iv)(D) of this section, if the control device subject to paragraph (a)(2)(iv) of this section meets the requirements of §61.349. The control device subject to paragraph (a)(2)(iv) of this section may be operated prior to receiving approval from the Administrator. However, if the Administrator determines that the control device does not meet the requirements of §61.349, the facility may be subject to enforcement action beginning from the time the control device began operation.

(b) Each closed-vent system and control device used to comply with this subpart shall be operated at all times when waste is placed in the waste management unit vented to the control device except when maintenance or repair of the waste management unit cannot be completed without a shutdown of the control device.

(c) An owner and operator shall demonstrate that each control device, except for a flare, achieves the appropriate conditions specified in paragraph (a)(2) of this section by using one of the following methods:

(1) Engineering calculations in accordance with requirements specified in §61.356(f) of this subpart; or

(2) Performance tests conducted using the test methods and procedures that meet the requirements specified in §61.355 of this subpart.

(d) An owner or operator shall demonstrate compliance of each flare in accordance with paragraph (a)(2)(iii) of this section.

(e) The Administrator may request at any time an owner or operator demonstrate that a control device meets the applicable conditions specified in paragraph (a)(2) of this section by conducting a performance test using the test methods and procedures as required in §61.355, and for control devices subject to paragraph (a)(2)(iv) of this section, the Administrator may specify alternative test methods and procedures, as appropriate.

(f) Each closed-vent system and control device shall be visually inspected initially and quarterly thereafter. The visual inspection shall include inspection of ductwork and piping and connections to covers and control devices for evidence of visible defects such as holes in ductwork or piping and loose connections.

(g) Except as provided in §61.350 of this subpart, if visible defects are observed during an inspection, or if other problems are identified, or if detectable emissions are measured, a first effort to repair the closed-vent system and control device shall be made as soon as practicable but no later than 5 calendar days after detection. Repair shall be completed no later than 15 calendar days after the emissions are detected or the visible defect is observed.

(h) The owner or operator of a control device that is used to comply with the provisions of this section shall monitor the control device in accordance with §61.354(c) of this subpart.

[55 FR 8346, Mar. 7, 1990; 55 FR 12444, Apr. 3, 1990, as amended at 55 FR 37231, Sept. 10, 1990; 58 FR 3098, Jan. 7, 1993]

### § 61.350 Standards: Delay of repair.

(a) Delay of repair of facilities or units that are subject to the provisions of this subpart will be allowed if the repair is technically impossible without a complete or partial facility or unit shutdown.

(b) Repair of such equipment shall occur before the end of the next facility or unit shutdown.

## § 61.351

## 40 CFR Ch. I (7-1-00 Edition)

### § 61.351 Alternative standards for tanks.

(a) As an alternative to the standards for tanks specified in § 61.343 of this subpart, an owner or operator may elect to comply with one of the following:

(1) A fixed roof and internal floating roof meeting the requirements in 40 CFR 60.112b(a)(1);

(2) An external floating roof meeting the requirements of 40 CFR 60.112b(a)(2); or

(3) An alternative means of emission limitation as described in 40 CFR 60.114b.

(b) If an owner or operator elects to comply with the provisions of this section, then the owner or operator is exempt from the provisions of § 61.343 of this subpart applicable to the same facilities.

[55 FR 8346, Mar. 7, 1990, as amended at 55 FR 37231, Sept. 10, 1990]

### § 61.352 Alternative standards for oil-water separators.

(a) As an alternative to the standards for oil-water separators specified in § 61.347 of this subpart, an owner or operator may elect to comply with one of the following:

(1) A floating roof meeting the requirements in 40 CFR 60.693-2(a); or

(2) An alternative means of emission limitation as described in 40 CFR 60.694.

(b) For portions of the oil-water separator where it is infeasible to construct and operate a floating roof, such as over the weir mechanism, a fixed roof vented to a vapor control device that meets the requirements in §§ 61.347 and 61.349 of this subpart shall be installed and operated.

(c) Except as provided in paragraph (b) of this section, if an owner or operator elects to comply with the provisions of this section, then the owner or operator is exempt from the provisions in § 61.347 of this subpart applicable to the same facilities.

### § 61.353 Alternative means of emission limitation.

(a) If, in the Administrator's judgment, an alternative means of emission limitation will achieve a reduction in benzene emissions at least equivalent

to the reduction in benzene emissions from the source achieved by the applicable design, equipment, work practice, or operational requirements in §§ 61.342 through 61.349, the Administrator will publish in the FEDERAL REGISTER a notice permitting the use of the alternative means for purposes of compliance with that requirement. The notice may condition the permission on requirements related to the operation and maintenance of the alternative means.

(b) Any notice under paragraph (a) of this section shall be published only after public notice and an opportunity for a hearing.

(c) Any person seeking permission under this section shall collect, verify, and submit to the Administrator information showing that the alternative means achieves equivalent emission reductions.

[55 FR 8346, Mar. 7, 1990, as amended at 58 FR 3099, Jan. 7, 1993]

### § 61.354 Monitoring of operations.

(a) Except for a treatment process or waste stream complying with § 61.348(d), the owner or operator shall monitor each treatment process or wastewater treatment system unit to ensure the unit is properly operated and maintained by one of the following monitoring procedures:

(1) Measure the benzene concentration of the waste stream exiting the treatment process complying with § 61.348(a)(1)(i) at least once per month by collecting and analyzing one or more samples using the procedures specified in § 61.355(c)(3).

(2) Install, calibrate, operate, and maintain according to manufacturer's specifications equipment to continuously monitor and record a process parameter (or parameters) for the treatment process or wastewater treatment system unit that indicates proper system operation. The owner or operator shall inspect at least once each operating day the data recorded by the monitoring equipment (e.g., temperature monitor or flow indicator) to ensure that the unit is operating properly.

(b) If an owner or operator complies with the requirements of § 61.348(b),

then the owner or operator shall monitor each wastewater treatment system to ensure the unit is properly operated and maintained by the appropriate monitoring procedure as follows:

(1) For the first exempt waste management unit in each waste treatment train, other than an enhanced biodegradation unit, measure the flow rate, using the procedures of §61.355(b), and the benzene concentration of each waste stream entering the unit at least once per month by collecting and analyzing one or more samples using the procedures specified in §61.355(c)(3).

(2) For each enhanced biodegradation unit that is the first exempt waste management unit in a treatment train, measure the benzene concentration of each waste stream entering the unit at least once per month by collecting and analyzing one or more samples using the procedures specified in §61.355(c)(3).

(c) An owner or operator subject to the requirements in §61.349 of this subpart shall install, calibrate, maintain, and operate according to the manufacturer's specifications a device to continuously monitor the control device operation as specified in the following paragraphs, unless alternative monitoring procedures or requirements are approved for that facility by the Administrator. The owner or operator shall inspect at least once each operating day the data recorded by the monitoring equipment (e.g., temperature monitor or flow indicator) to ensure that the control device is operating properly.

(1) For a thermal vapor incinerator, a temperature monitoring device equipped with a continuous recorder. The device shall have an accuracy of  $\pm 1$  percent of the temperature being monitored in  $^{\circ}\text{C}$  or  $\pm 0.5$   $^{\circ}\text{C}$ , whichever is greater. The temperature sensor shall be installed at a representative location in the combustion chamber.

(2) For a catalytic vapor incinerator, a temperature monitoring device equipped with a continuous recorder. The device shall be capable of monitoring temperature at two locations, and have an accuracy of  $\pm 1$  percent of the temperature being monitored in  $^{\circ}\text{C}$  or  $\pm 0.5$   $^{\circ}\text{C}$ , whichever is greater. One temperature sensor shall be installed in the vent stream at the nearest fea-

sible point to the catalyst bed inlet and a second temperature sensor shall be installed in the vent stream at the nearest feasible point to the catalyst bed outlet.

(3) For a flare, a monitoring device in accordance with 40 CFR 60.18(f)(2) equipped with a continuous recorder.

(4) For a boiler or process heater having a design heat input capacity less than 44 megawatts (MW), a temperature monitoring device equipped with a continuous recorder. The device shall have an accuracy of  $\pm 1$  percent of the temperature being monitored in  $^{\circ}\text{C}$  or  $\pm 0.5$   $^{\circ}\text{C}$ , whichever is greater. The temperature sensor shall be installed at a representative location in the combustion chamber.

(5) For a boiler or process heater having a design heat input capacity greater than or equal to 44 MW, a monitoring device equipped with a continuous recorder to measure a parameter(s) that indicates good combustion operating practices are being used.

(6) For a condenser, either:

(i) A monitoring device equipped with a continuous recorder to measure either the concentration level of the organic compounds or the concentration level of benzene in the exhaust vent stream from the condenser; or

(ii) A temperature monitoring device equipped with a continuous recorder. The device shall be capable of monitoring temperature at two locations, and have an accuracy of  $\pm 1$  percent of the temperature being monitored in  $^{\circ}\text{C}$  or  $\pm 0.5$   $^{\circ}\text{C}$ , whichever is greater. One temperature sensor shall be installed at a location in the exhaust stream from the condenser, and a second temperature sensor shall be installed at a location in the coolant fluid exiting the condenser.

(7) For a carbon adsorption system that regenerates the carbon bed directly in the control device such as a fixed-bed carbon adsorber, either:

(i) A monitoring device equipped with a continuous recorder to measure either the concentration level of the organic compounds or the benzene concentration level in the exhaust vent stream from the carbon bed; or

(ii) A monitoring device equipped with a continuous recorder to measure a parameter that indicates the carbon

**§ 61.355**

**40 CFR Ch. I (7-1-00 Edition)**

bed is regenerated on a regular, pre-determined time cycle.

(8) For a vapor recovery system other than a condenser or carbon adsorption system, a monitoring device equipped with a continuous recorder to measure either the concentration level of the organic compounds or the benzene concentration level in the exhaust vent stream from the control device.

(9) For a control device subject to the requirements of § 61.349(a)(2)(iv), devices to monitor the parameters as specified in § 61.349(a)(2)(iv)(C).

(d) For a carbon adsorption system that does not regenerate the carbon bed directly on site in the control device (e.g., a carbon canister), either the concentration level of the organic compounds or the concentration level of benzene in the exhaust vent stream from the carbon adsorption system shall be monitored on a regular schedule, and the existing carbon shall be replaced with fresh carbon immediately when carbon breakthrough is indicated. The device shall be monitored on a daily basis or at intervals no greater than 20 percent of the design carbon replacement interval, whichever is greater. As an alternative to conducting this monitoring, an owner or operator may replace the carbon in the carbon adsorption system with fresh carbon at a regular predetermined time interval that is less than the carbon replacement interval that is determined by the maximum design flow rate and either the organic concentration or the benzene concentration in the gas stream vented to the carbon adsorption system.

(e) An alternative operation or process parameter may be monitored if it can be demonstrated that another parameter will ensure that the control device is operated in conformance with these standards and the control device's design specifications.

(f) Owners or operators using a closed-vent system that contains any bypass line that could divert a vent stream from a control device used to comply with the provisions of this subpart shall do the following:

(1) Visually inspect the bypass line valve at least once every month, checking the position of the valve and the condition of the car-seal or closure

mechanism required under § 61.349(a)(1)(ii) to ensure that the valve is maintained in the closed position and the vent stream is not diverted through the bypass line.

(2) Visually inspect the readings from each flow monitoring device required by § 61.349(a)(1)(ii) at least once each operating day to check that vapors are being routed to the control device as required.

(g) Each owner or operator who uses a system for emission control that is maintained at a pressure less than atmospheric pressure with openings to provide dilution air shall install, calibrate, maintain, and operate according to the manufacturer's specifications a device equipped with a continuous recorder to monitor the pressure in the unit to ensure that it is less than atmospheric pressure.

[55 FR 8346, Mar. 7, 1990, as amended at 58 FR 3099, Jan. 7, 1993]

**§ 61.355 Test methods, procedures, and compliance provisions.**

(a) An owner or operator shall determine the total annual benzene quantity from facility waste by the following procedure:

(1) For each waste stream subject to this subpart having a flow-weighted annual average water content greater than 10 percent water, on a volume basis as total water, or is mixed with water or other wastes at any time and the resulting mixture has an annual average water content greater than 10 percent as specified in § 61.342(a), the owner or operator shall:

(i) Determine the annual waste quantity for each waste stream using the procedures specified in paragraph (b) of this section.

(ii) Determine the flow-weighted annual average benzene concentration for each waste stream using the procedures specified in paragraph (c) of this section.

(iii) Calculate the annual benzene quantity for each waste stream by multiplying the annual waste quantity of the waste stream times the flow-weighted annual average benzene concentration.

(2) Total annual benzene quantity from facility waste is calculated by adding together the annual benzene



## Environmental Protection Agency

## § 61.355

quantity for each waste stream generated during the year and the annual benzene quantity for each process unit turnaround waste annualized according to paragraph (b)(4) of this section.

(3) If the total annual benzene quantity from facility waste is equal to or greater than 10 mg/yr, then the owner or operator shall comply with the requirements of §61.342 (c), (d), or (e).

(4) If the total annual benzene quantity from facility waste is less than 10 Mg/yr but is equal to or greater than 1 Mg/yr, then the owner or operator shall:

(i) Comply with the recordkeeping requirements of §61.356 and reporting requirements of §61.357 of this subpart; and

(ii) Repeat the determination of total annual benzene quantity from facility waste at least once per year and whenever there is a change in the process generating the waste that could cause the total annual benzene quantity from facility waste to increase to 10 Mg/yr or more.

(5) If the total annual benzene quantity from facility waste is less than 1 Mg/yr, then the owner or operator shall:

(i) Comply with the recordkeeping requirements of §61.356 and reporting requirements of §61.357 of this subpart; and

(ii) Repeat the determination of total annual benzene quantity from facility waste whenever there is a change in the process generating the waste that could cause the total annual benzene quantity from facility waste to increase to 1 Mg/yr or more.

(6) The benzene quantity in a waste stream that is generated less than one time per year, except as provided for process unit turnaround waste in paragraph (b)(4) of this section, shall be included in the determination of total annual benzene quantity from facility waste for the year in which the waste is generated unless the waste stream is otherwise excluded from the determination of total annual benzene quantity from facility waste in accordance with paragraphs (a) through (c) of this section. The benzene quantity in this waste stream shall not be annualized or averaged over the time interval between the activities that resulted in

generation of the waste, for purposes of determining the total annual benzene quantity from facility waste.

(b) For purposes of the calculation required by paragraph (a) of this section, an owner or operator shall determine the annual waste quantity at the point of waste generation, unless otherwise provided in paragraphs (b) (1), (2), (3), and (4) of this section, by one of the methods given in paragraphs (b) (5) through (7) of this section.

(1) The determination of annual waste quantity for sour water streams that are processed in sour water strippers shall be made at the point that the water exits the sour water stripper.

(2) The determination of annual waste quantity for wastes at coke by-product plants subject to and complying with the control requirements of §61.132, 61.133, 61.134, or 61.139 of subpart L of this part shall be made at the location that the waste stream exits the process unit component or waste management unit controlled by that subpart or at the exit of the ammonia still, provided that the following conditions are met:

(i) The transfer of wastes between units complying with the control requirements of subpart L of this part, process units, and the ammonia still is made through hard piping or other enclosed system.

(ii) The ammonia still meets the definition of a sour water stripper in §61.341.

(3) The determination of annual waste quantity for wastes that are received at hazardous waste treatment, storage, or disposal facilities from off-site shall be made at the point where the waste enters the hazardous waste treatment, storage, or disposal facility.

(4) The determination of annual waste quantity for each process unit turnaround waste generated only at 2 year or greater intervals, may be made by dividing the total quantity of waste generated during the most recent process unit turnaround by the time period (in the nearest tenth of a year) between the turnaround resulting in generation of the waste and the most recent preceding process turnaround for the unit. The resulting annual waste quantity shall be included in the calculation of

the annual benzene quantity as provided in paragraph (a)(1)(iii) of this section for the year in which the turnaround occurs and for each subsequent year until the unit undergoes the next process turnaround. For estimates of total annual benzene quantity as specified in the 90-day report, required under § 61.357(a)(1), the owner or operator shall estimate the waste quantity generated during the most recent turnaround, and the time period between turnarounds in accordance with good engineering practices. If the owner or operator chooses not to annualize process unit turnaround waste, as specified in this paragraph, then the process unit turnaround waste quantity shall be included in the calculation of the annual benzene quantity for the year in which the turnaround occurs.

(5) Select the highest annual quantity of waste managed from historical records representing the most recent 5 years of operation or, if the facility has been in service for less than 5 years but at least 1 year, from historical records representing the total operating life of the facility;

(6) Use the maximum design capacity of the waste management unit; or

(7) Use measurements that are representative of maximum waste generation rates.

(c) For the purposes of the calculation required by §§ 61.355(a) of this subpart, an owner or operator shall determine the flow-weighted annual average benzene concentration in a manner that meets the requirements given in paragraph (c)(1) of this section using either of the methods given in paragraphs (c)(2) and (c)(3) of this section.

(1) The determination of flow-weighted annual average benzene concentration shall meet all of the following criteria:

(i) The determination shall be made at the point of waste generation except for the specific cases given in paragraphs (c)(1)(i)(A) through (D) of this section.

(A) The determination for sour water streams that are processed in sour water strippers shall be made at the point that the water exits the sour water stripper.

(B) The determination for wastes at coke by-product plants subject to and

complying with the control requirements of § 61.132, 61.133, 61.134, or 61.139 of subpart L of this part shall be made at the location that the waste stream exits the process unit component or waste management unit controlled by that subpart or at the exit of the ammonia still, provided that the following conditions are met:

(1) The transfer of wastes between units complying with the control requirements of subpart L of this part, process units, and the ammonia still is made through hard piping or other enclosed system.

(2) The ammonia still meets the definition of a sour water stripper in § 61.341.

(C) The determination for wastes that are received from offsite shall be made at the point where the waste enters the hazardous waste treatment, storage, or disposal facility.

(D) The determination of flow-weighted annual average benzene concentration for process unit turnaround waste shall be made using either of the methods given in paragraph (c)(2) or (c)(3) of this section. The resulting flow-weighted annual average benzene concentration shall be included in the calculation of annual benzene quantity as provided in paragraph (a)(1)(iii) of this section for the year in which the turnaround occurs and for each subsequent year until the unit undergoes the next process unit turnaround.

(ii) Volatilization of the benzene by exposure to air shall not be used in the determination to reduce the benzene concentration.

(iii) Mixing or diluting the waste stream with other wastes or other materials shall not be used in the determination—to reduce the benzene concentration.

(iv) The determination shall be made prior to any treatment of the waste that removes benzene, except as specified in paragraphs (c)(1)(i)(A) through (D) of this section.

(v) For wastes with multiple phases, the determination shall provide the weighted-average benzene concentration based on the benzene concentration in each phase of the waste and the relative proportion of the phases.

(2) *Knowledge of the waste.* The owner or operator shall provide sufficient information to document the flow-weighted annual average benzene concentration of each waste stream. Examples of information that could constitute knowledge include material balances, records of chemicals purchases, or previous test results provided the results are still relevant to the current waste stream conditions. If test data are used, then the owner or operator shall provide documentation describing the testing protocol and the means by which sampling variability and analytical variability were accounted for in the determination of the flow-weighted annual average benzene concentration for the waste stream. When an owner or operator and the Administrator do not agree on determinations of the flow-weighted annual average benzene concentration based on knowledge of the waste, the procedures under paragraph (c)(3) of this section shall be used to resolve the disagreement.

(3) Measurements of the benzene concentration in the waste stream in accordance with the following procedures:

(i) Collect a minimum of three representative samples from each waste stream. Where feasible, samples shall be taken from an enclosed pipe prior to the waste being exposed to the atmosphere.

(ii) For waste in enclosed pipes, the following procedures shall be used:

(A) Samples shall be collected prior to the waste being exposed to the atmosphere in order to minimize the loss of benzene prior to sampling.

(B) A static mixer shall be installed in the process line or in a by-pass line unless the owner or operator demonstrates that installation of a static mixer in the line is not necessary to accurately determine the benzene concentration of the waste stream.

(C) The sampling tap shall be located within two pipe diameters of the static mixer outlet.

(D) Prior to the initiation of sampling, sample lines and cooling coil shall be purged with at least four volumes of waste.

(E) After purging, the sample flow shall be directed to a sample container

and the tip of the sampling tube shall be kept below the surface of the waste during sampling to minimize contact with the atmosphere.

(F) Samples shall be collected at a flow rate such that the cooling coil is able to maintain a waste temperature less than 10 °C.

(G) After filling, the sample container shall be capped immediately (within 5 seconds) to leave a minimum headspace in the container.

(H) The sample containers shall immediately be cooled and maintained at a temperature below 10 °C for transfer to the laboratory.

(iii) When sampling from an enclosed pipe is not feasible, a minimum of three representative samples shall be collected in a manner to minimize exposure of the sample to the atmosphere and loss of benzene prior to sampling.

(iv) Each waste sample shall be analyzed using one of the following test methods for determining the benzene concentration in a waste stream:

(A) Method 8020, Aromatic Volatile Organics, in "Test Methods for Evaluating Solid Waste, Physical/Chemical Methods," EPA Publication No. SW-846 (incorporation by reference as specified in §61.18 of this part);

(B) Method 8021, Volatile Organic Compounds in Water by Purge and Trap Capillary Column Gas Chromatography with Photoionization and Electrolytic Conductivity Detectors in Series in "Test Methods for Evaluating Solid Waste, Physical/Chemical Methods," EPA Publication No. SW-846 (incorporation by reference as specified in §61.18 of this part);

(C) Method 8240, Gas Chromatography/Mass Spectrometry for Volatile Organics in "Test Methods for Evaluating Solid Waste, Physical/Chemical Methods," EPA Publication No. SW-846 (incorporation by reference as specified in §61.18 of this part);

(D) Method 8260, Gas Chromatography/Mass Spectrometry for Volatile Organics: Capillary Column Technique in "Test Methods for Evaluating Solid Waste, Physical/Chemical Methods," EPA Publication No. SW-846 (incorporation by reference as specified in §61.18 of this part);

(E) Method 602, Purgeable Aromatics, as described in 40 CFR part 136, appendix A, Test Procedures for Analysis of Organic Pollutants, for wastewaters for which this is an approved EPA methods; or

(F) Method 624, Purgeables, as described in 40 CFR part 136, appendix A, Test Procedures for Analysis of Organic Pollutants, for wastewaters for which this is an approved EPA method.

(v) The flow-weighted annual average benzene concentration shall be calculated by averaging the results of the sampled analyses as follows:

$$\bar{C} = \frac{1}{Q_t} \times \sum_{i=1}^n (Q_i)(C_i)$$

Where:

C=Flow-weighted annual average benzene concentration for waste stream, ppmw.

Q<sub>t</sub>=Total annual waste quantity for waste stream, kg/yr.

n=Number of waste samples (at least 3).

Q<sub>i</sub>=Annual waste quantity for waste stream represented by C<sub>i</sub>, kg/yr.

C<sub>i</sub>=Measured concentration of benzene in waste sample i, ppmw.

(d) An owner or operator using performance tests to demonstrate compliance of a treatment process with § 61.348 (a)(1)(i) shall measure the flow-weighted annual average benzene concentration of the waste stream exiting the treatment process by collecting and analyzing a minimum of three representative samples of the waste stream using the procedures in paragraph (c)(3) of this section. The test shall be conducted under conditions that exist when the treatment process is operating at the highest inlet waste stream flow rate and benzene content expected to occur. Operations during periods of startup, shutdown, and malfunction shall not constitute representative conditions for the purpose of a test. The owner or operator shall record all process information as is necessary to document the operating conditions during the test.

(e) An owner or operator using performance tests to demonstrate compliance of a treatment process with § 61.348(a)(1)(ii) of this subpart shall determine the percent reduction of ben-

zene in the waste stream on a mass basis by the following procedure:

(1) The test shall be conducted under conditions that exist when the treatment process is operating at the highest inlet waste stream flow rate and benzene content expected to occur. Operations during periods of startup, shutdown, and malfunction shall not constitute representative conditions for the purpose of a test. The owner or operator shall record all process information as is necessary to document the operating conditions during the test.

(2) All testing equipment shall be prepared and installed as specified in the appropriate test methods.

(3) The mass flow rate of benzene entering the treatment process (E<sub>b</sub>) shall be determined by computing the product of the flow rate of the waste stream entering the treatment process, as determined by the inlet flow meter, and the benzene concentration of the waste stream, as determined using the sampling and analytical procedures specified in paragraph (c)(2) or (c)(3) of this section. Three grab samples of the waste shall be taken at equally spaced time intervals over a 1-hour period. Each 1-hour period constitutes a run, and the performance test shall consist of a minimum of 3 runs conducted over a 3-hour period. The mass flow rate of benzene entering the treatment process is calculated as follows:

$$E_b = \frac{K}{n \times 10^6} \left[ \sum_{i=1}^n V_i C_i \right]$$

Where:

E<sub>b</sub>=Mass flow rate of benzene entering the treatment process, kg/hour.

K=Density of the waste stream, kg/m<sup>3</sup>.

V<sub>i</sub>=Average volume flow rate of waste entering the treatment process during each run i, m<sup>3</sup>/hour.

C<sub>i</sub>=Average concentration of benzene in the waste stream entering the treatment process during each run i, ppmw.

n=Number of runs.

(4) The mass flow rate of benzene exiting the treatment process (E<sub>a</sub>) shall be determined by computing the product of the flow rate of the waste stream exiting the treatment process, as determined by the outlet flow meter or the

**Environmental Protection Agency**

**§ 61.355**

inlet flow meter, and the benzene concentration of the waste stream, as determined using the sampling and analytical procedures specified in paragraph (c)(2) or (c)(3) of this section. Three grab samples of the waste shall be taken at equally spaced time intervals over a 1-hour period. Each 1-hour period constitutes a run, and the performance test shall consist of a minimum of 3 runs conducted over the same 3-hour period at which the mass flow rate of benzene entering the treatment process is determined. The mass flow rate of benzene exiting the treatment process is calculated as follows:

$$E_a = \frac{K}{n \times 10^6} \left[ \sum_{i=1}^n V_i C_i \right]$$

Where:

E<sub>a</sub>=Mass flow rate of benzene exiting the treatment process, kg/hour.

K=Density of the waste stream, kg/m<sup>3</sup>.

V<sub>i</sub>=Average volume flow rate of waste exiting the treatment process during each run i, m<sup>3</sup>/hour.

C<sub>i</sub>=Average concentration of benzene in the waste stream exiting the treatment process during each run i, ppmw.

n=Number of runs.

(f) An owner or operator using performance tests to demonstrate compliance of a treatment process with §61.348(a)(1)(iii) of this subpart shall determine the benzene destruction efficiency for the combustion unit by the following procedure:

(1) The test shall be conducted under conditions that exist when the combustion unit is operating at the highest inlet waste stream flow rate and benzene content expected to occur. Operations during periods of startup, shutdown, and malfunction shall not constitute representative conditions for the purpose of a test. The owner or operator shall record all process information necessary to document the operating conditions during the test.

(2) All testing equipment shall be prepared and installed as specified in the appropriate test methods.

(3) The mass flow rate of benzene entering the combustion unit shall be determined by computing the product of the flow rate of the waste stream entering the combustion unit, as determined by the inlet flow meter, and the

benzene concentration of the waste stream, as determined using the sampling procedures in paragraph (c)(2) or (c)(3) of this section. Three grab samples of the waste shall be taken at equally spaced time intervals over a 1-hour period. Each 1-hour period constitutes a run, and the performance test shall consist of a minimum of 3 runs conducted over a 3-hour period. The mass flow rate of benzene into the combustion unit is calculated as follows:

$$E_b = \frac{K}{n \times 10^6} \left[ \sum_{i=1}^n V_i C_i \right]$$

Where:

E<sub>b</sub>=Mass flow rate of benzene into the combustion unit, kg/hour.

K=Density of the waste stream, kg/m<sup>3</sup>.

V<sub>i</sub>=Average volume flow rate of waste entering the combustion unit during each run i, m<sup>3</sup>/hour.

C<sub>i</sub>=Average concentration of benzene in the waste stream entering the combustion unit during each run i, ppmw.

n=Number of runs.

(4) The mass flow rate of benzene exiting the combustion unit exhaust stack shall be determined as follows:

(i) The time period for the test shall not be less than 3 hours during which at least 3 stack gas samples are collected and be the same time period at which the mass flow rate of benzene entering the treatment process is determined. Each sample shall be collected over a 1-hour period (e.g., in a tedlar bag) to represent a time-integrated composite sample and each 1-hour period shall correspond to the periods when the waste feed is sampled.

(ii) A run shall consist of a 1-hour period during the test. For each run:

(A) The reading from each measurement shall be recorded;

(B) The volume exhausted shall be determined using method 2, 2A, 2C, or 2D from appendix A of 40 CFR part 60, as appropriate.

(C) The average benzene concentration in the exhaust downstream of the combustion unit shall be determined using method 18 from appendix A of 40 CFR part 60.

(iii) The mass of benzene emitted during each run shall be calculated as follows:

**§ 61.355**

**40 CFR Ch. I (7-1-00 Edition)**

$M_i = KVC(10^{-6})$

Where:

$M_i$ =Mass of benzene emitted during run  $i$ , kg.  
 $V$ =Volume of air-vapor mixture exhausted at standard conditions,  $m^3$ .

$C$ =Concentration of benzene measured in the exhaust, ppmv.

$K$ =Conversion factor=3.24  $kg/m^3$  for benzene.

(iv) The benzene mass emission rate in the exhaust shall be calculated as follows:

$$E_a = \left( \sum_{i=1}^n M_i \right) / T$$

Where:

$E_a$ =Mass flow rate of benzene emitted, kg/hour.

$M_i$ =Mass of benzene emitted during run  $i$ , kg.

$T$ =Total time of all runs, hour.

$n$ =Number of runs.

(5) The benzene destruction efficiency for the combustion unit shall be calculated as follows:

$$R = \frac{E_b - E_a}{E_b} \times 100$$

Where:

$R$ =Benzene destruction efficiency for the combustion unit, percent.

$E_b$ =Mass flow rate of benzene into the combustion unit, kg/hour.

$E_a$ =Mass flow of benzene from the combustion unit, kg/hour.

(g) An owner or operator using performance tests to demonstrate compliance of a wastewater treatment system unit with §61.348(b) shall measure the flow-weighted annual average benzene concentration of the wastewater stream where the waste stream enters an exempt waste management unit by collecting and analyzing a minimum of three representative samples of the waste stream using the procedures in paragraph (c)(3) of this section. The test shall be conducted under conditions that exist when the wastewater treatment system is operating at the highest inlet wastewater stream flow rate and benzene content expected to occur. Operations during periods of startup, shutdown, and malfunction shall not constitute representative conditions for the purpose of a test. The owner or operator shall record all process information as is necessary to

document the operating conditions during the test.

(h) An owner or operator shall test equipment for compliance with no detectable emissions as required in §§61.343 through 61.347, and §61.349 of this subpart in accordance with the following requirements:

(1) Monitoring shall comply with method 21 from appendix A of 40 CFR part 60.

(2) The detection instrument shall meet the performance criteria of method 21.

(3) The instrument shall be calibrated before use on each day of its use by the procedures specified in method 21.

(4) Calibration gases shall be:

(i) Zero air (less than 10 ppm of hydrocarbon in air); and

(ii) A mixture of methane or n-hexane and air at a concentration of approximately, but less than, 10,000 ppm methane or n-hexane.

(5) The background level shall be determined as set forth in method 21.

(6) The instrument probe shall be traversed around all potential leak interfaces as close as possible to the interface as described in method 21.

(7) The arithmetic difference between the maximum concentration indicated by the instrument and the background level is compared to 500 ppm for determining compliance.

(i) An owner or operator using a performance test to demonstrate compliance of a control device with either the organic reduction efficiency requirement or the benzene reduction efficiency requirement specified under §61.349(a)(2) shall use the following procedures:

(1) The test shall be conducted under conditions that exist when the waste management unit vented to the control device is operating at the highest load or capacity level expected to occur. Operations during periods of startup, shutdown, and malfunction shall not constitute representative conditions for the purpose of a test. The owner or operator shall record all process information necessary to document the operating conditions during the test.

(2) Sampling sites shall be selected using method 1 or 1A from appendix A of 40 CFR part 60, as appropriate.

(3) The mass flow rate of either the organics or benzene entering and exiting the control device shall be determined as follows:

(i) The time period for the test shall not be less than 3 hours during which at least 3 stack gas samples are collected. Samples of the vent stream entering and exiting the control device shall be collected during the same time period. Each sample shall be collected over a 1-hour period (e.g., in a tedlar bag) to represent a time-integrated composite sample.

(ii) A run shall consist of a 1-hour period during the test. For each run:

(A) The reading from each measurement shall be recorded;

(B) The volume exhausted shall be determined using method 2, 2A, 2C, or 2D from appendix A of 40 CFR part 60, as appropriate;

(C) The organic concentration or the benzene concentration, as appropriate, in the vent stream entering and exiting the control shall be determined using Method 18 from Appendix A of 40 CFR part 60.

(iii) The mass of organics or benzene entering and exiting the control device during each run shall be calculated as follows:

$$M_{aj} = K V_{aj} \left[ \sum_{i=1}^n C_{ai} MW_i \right] (10^{-6})$$

$$M_{bj} = K V_{bj} \left[ \sum_{i=1}^n C_{bi} MW_i \right] (10^{-6})$$

Where:

$M_{aj}$ =Mass of organics or benzene in the vent stream entering the control device during run j, kg.

$M_{bj}$ =Mass of organics or benzene in the vent stream exiting the control device during run j, kg.

$V_{aj}$ =Volume of vent stream entering the control device during run j at standard conditions,  $m^3$ .

$V_{bj}$ =Volume of vent stream exiting the control device during run j at standard conditions,  $m^3$ .

$C_{ai}$ =Organic concentration of compound i or the benzene concentration measured in the vent stream entering the control device as determined by Method 18, ppm by volume on a dry basis.

$C_{bi}$ =Organic concentration of compound i or the benzene concentration measured in the vent stream exiting the control device as determined by Method 18, ppm by volume on a dry basis.

$MW_i$ =Molecular weight of organic compound i in the vent stream or the molecular weight of benzene, kg/kg-mol.

$n$ =Number of organic compounds in the vent stream; if benzene reduction efficiency is being demonstrated, then  $n=1$ .

$K$ =Conversion factor for molar volume=0.0416 kg-mol/ $m^3$  (at 293° K and 760 mm Hg).

$10^{-6}$ =Conversion from ppm,  $ppm^{-1}$ .

(iv) The mass flow rate of organics or benzene entering and exiting the control device shall be calculated as follows:

$$E_a - \left( \sum_{j=1}^n M_{aj} \right) / T$$

$$E_b - \left( \sum_{j=1}^n M_{bj} \right) / T$$

Where:

$E_a$ =Mass flow rate of organics or benzene entering the control device, kg/hour.

$E_b$ =Mass flow rate of organics or benzene exiting the control device, kg/hour.

$M_{aj}$ =Mass of organics or benzene in the vent stream entering the control device during run j, kg.

$M_{bj}$ =Mass of organics or benzene in vent stream exiting the control device during run j, kg.

$T$ =Total time of all runs, hour.

$n$ =Number of runs.

§ 61.355

40 CFR Ch. I (7-1-00 Edition)

(4) The organic reduction efficiency or the benzene reduction efficiency for the control device shall be calculated as follows:

$$R = \frac{E_a - E_b}{E_a} \times 100$$

Where:

R=Total organic reduction efficiency or benzene reduction efficiency for the control device, percent.

E<sub>a</sub>=Mass flow rate of organics or benzene entering the control device, kg/hr.

E<sub>b</sub>=Mass flow rate of organics or benzene exiting the control device, kg/hr.

(j) An owner or operator shall determine the benzene quantity for the purposes of the calculation required by § 61.342 (c)(3)(ii)(B) according to the provisions of paragraph (a) of this section, except that the procedures in paragraph (a) of this section shall also apply to wastes with a water content of 10 percent or less.

(k) An owner or operator shall determine the benzene quantity for the purposes of the calculation required by § 61.342(e)(2) by the following procedure:

(1) For each waste stream that is not controlled for air emissions in accordance with § 61.343, 61.344, 61.345, 61.346, 61.347, or 61.348(a), as applicable to the waste management unit that manages the waste, the benzene quantity shall be determined as specified in paragraph (a) of this section, except that paragraph (b)(4) of this section shall not apply, i.e., the waste quantity for process unit turnaround waste is not annualized but shall be included in the determination of benzene quantity for the year in which the waste is generated for the purposes of the calculation required by § 61.342(e)(2).

(2) For each waste stream that is controlled for air emissions in accordance with § 61.343, 61.344, 61.345, 61.346, 61.347, or 61.348(a), as applicable to the waste management unit that manages the waste, the determination of annual waste quantity and flow-weighted annual average benzene concentration shall be made at the first applicable location as described in paragraphs (k)(2)(i), (k)(2)(ii), and (k)(2)(iii) of this section and prior to any reduction of benzene concentration through volatilization of the benzene, using the

methods given in (k)(2)(iv) and (k)(2)(v) of this section.

(i) Where the waste stream enters the first waste management unit not complying with §§ 61.343, 61.344, 61.345, 61.346, 61.347, and 61.348(a) that are applicable to the waste management unit,

(ii) For each waste stream that is managed or treated only in compliance with §§ 61.343 through 61.348(a) up to the point of final direct discharge from the facility, the determination of benzene quantity shall be prior to any reduction of benzene concentration through volatilization of the benzene, or

(iii) For wastes managed in units controlled for air emissions in accordance with §§ 61.343, 61.344, 61.345, 61.346, 61.347, and 61.348(a), and then transferred offsite, facilities shall use the first applicable offsite location as described in paragraphs (k)(2)(i) and (k)(2)(ii) of this section if they have documentation from the offsite facility of the benzene quantity at this location. Facilities without this documentation for offsite wastes shall use the benzene quantity determined at the point where the transferred waste leaves the facility.

(iv) Annual waste quantity shall be determined using the procedures in paragraphs (b)(5), (6), or (7) of this section, and

(v) The flow-weighted annual average benzene concentration shall be determined using the procedures in paragraphs (c)(2) or (3) of this section.

(3) The benzene quantity in a waste stream that is generated less than one time per year, including process unit turnaround waste, shall be included in the determination of benzene quantity as determined in paragraph (k)(6) of this section for the year in which the waste is generated. The benzene quantity in this waste stream shall not be annualized or averaged over the time interval between the activities that resulted in generation of the waste for purposes of determining benzene quantity as determined in paragraph (k)(6) of this section.

(4) The benzene in waste entering an enhanced biodegradation unit, as defined in § 61.348(b)(2)(ii)(B), shall not be included in the determination of benzene quantity, determined in paragraph



## Environmental Protection Agency

## § 61.356

(k)(6) of this section, if the following conditions are met:

(i) The benzene concentration for each waste stream entering the enhanced biodegradation unit is less than 10 ppmw on a flow-weighted annual average basis, and

(ii) All prior waste management units managing the waste comply with §§ 61.343, 61.344, 61.345, 61.346, 61.347 and 61.348(a).

(5) The benzene quantity for each waste stream in paragraph (k)(2) of this section shall be determined by multiplying the annual waste quantity of each waste stream times its flow-weighted annual average benzene concentration.

(6) The total benzene quantity for the purposes of the calculation required by § 61.342(e)(2) shall be determined by adding together the benzene quantities determined in paragraphs (k)(1) and (k)(5) of this section for each applicable waste stream.

(7) If the benzene quantity determined in paragraph (6) of this section exceeds 6.0 Mg/yr only because of multiple counting of the benzene quantity for a waste stream, the owner or operator may use the following procedures for the purposes of the calculation required by § 61.342(e)(2):

(i) Determine which waste management units are involved in the multiple counting of benzene;

(ii) Determine the quantity of benzene that is emitted, recovered, or removed from the affected units identified in paragraph (k)(7)(i) of this section, or destroyed in the units if applicable, using either direct measurements or the best available estimation techniques developed or approved by the Administrator.

(iii) Adjust the benzene quantity to eliminate the multiple counting of benzene based on the results from paragraph (k)(7)(ii) of this section and determine the total benzene quantity for the purposes of the calculation required by § 61.342(e)(2).

(iv) Submit in the annual report required under § 61.357(a) a description of the methods used and the resulting calculations for the alternative procedure under paragraph (k)(7) of this section, the benzene quantity determination from paragraph (k)(6) of this section,

and the adjusted benzene quantity determination from paragraph (k)(7)(iii) of this section.

[55 FR 8346, Mar. 7, 1990; 55 FR 12444, Apr. 3, 1990, as amended at 55 FR 37231, Sept. 10, 1990; 58 FR 3099, Jan. 7, 1993]

### § 61.356 Recordkeeping requirements.

(a) Each owner or operator of a facility subject to the provisions of this subpart shall comply with the recordkeeping requirements of this section. Each record shall be maintained in a readily accessible location at the facility site for a period not less than two years from the date the information is recorded unless otherwise specified.

(b) Each owner or operator shall maintain records that identify each waste stream at the facility subject to this subpart, and indicate whether or not the waste stream is controlled for benzene emissions in accordance with this subpart. In addition the owner or operator shall maintain the following records:

(1) For each waste stream not controlled for benzene emissions in accordance with this subpart, the records shall include all test results, measurements, calculations, and other documentation used to determine the following information for the waste stream: waste stream identification, water content, whether or not the waste stream is a process wastewater stream, annual waste quantity, range of benzene concentrations, annual average flow-weighted benzene concentration, and annual benzene quantity.

(2) For each waste stream exempt from § 61.342(c)(1) in accordance with § 61.342(c)(3), the records shall include:

(i) All measurements, calculations, and other documentation used to determine that the continuous flow of process wastewater is less than 0.02 liters per minute or the annual waste quantity of process wastewater is less than 10 Mg/yr in accordance with § 61.342(c)(3)(i), or

(ii) All measurements, calculations, and other documentation used to determine that the sum of the total annual benzene quantity in all exempt waste streams does not exceed 2.0 Mg/yr in accordance with § 61.342(c)(3)(ii).

**§ 61.356**

**40 CFR Ch. I (7-1-00 Edition)**

(3) For each facility where process wastewater streams are controlled for benzene emissions in accordance with §61.342(d) of this subpart, the records shall include for each treated process wastewater stream all measurements, calculations, and other documentation used to determine the annual benzene quantity in the process wastewater stream exiting the treatment process.

(4) For each facility where waste streams are controlled for benzene emissions in accordance with §61.342(e), the records shall include for each waste stream all measurements, including the locations of the measurements, calculations, and other documentation used to determine that the total benzene quantity does not exceed 6.0 Mg/yr.

(5) For each facility where the annual waste quantity for process unit turnaround waste is determined in accordance with §61.355(b)(5), the records shall include all test results, measurements, calculations, and other documentation used to determine the following information: identification of each process unit at the facility that undergoes turnarounds, the date of the most recent turnaround for each process unit, identification of each process unit turnaround waste, the water content of each process unit turnaround waste, the annual waste quantity determined in accordance with §61.355(b)(5), the range of benzene concentrations in the waste, the annual average flow-weighted benzene concentration of the waste, and the annual benzene quantity calculated in accordance with §61.355(a)(1)(iii) of this section.

(6) For each facility where wastewater streams are controlled for benzene emissions in accordance with §61.348(b)(2), the records shall include all measurements, calculations, and other documentation used to determine the annual benzene content of the waste streams and the total annual benzene quantity contained in all waste streams managed or treated in exempt waste management units.

(c) An owner or operator transferring waste off-site to another facility for treatment in accordance with §61.342(f) shall maintain documentation for each offsite waste shipment that includes

the following information: Date waste is shipped offsite, quantity of waste shipped offsite, name and address of the facility receiving the waste, and a copy of the notice sent with the waste shipment.

(d) An owner or operator using control equipment in accordance with §§61.343 through 61.347 shall maintain engineering design documentation for all control equipment that is installed on the waste management unit. The documentation shall be retained for the life of the control equipment. If a control device is used, then the owner or operator shall maintain the control device records required by paragraph (f) of this section.

(e) An owner or operator using a treatment process or wastewater treatment system unit in accordance with §61.348 of this subpart shall maintain the following records. The documentation shall be retained for the life of the unit.

(1) A statement signed and dated by the owner or operator certifying that the unit is designed to operate at the documented performance level when the waste stream entering the unit is at the highest waste stream flow rate and benzene content expected to occur.

(2) If engineering calculations are used to determine treatment process or wastewater treatment system unit performance, then the owner or operator shall maintain the complete design analysis for the unit. The design analysis shall include for example the following information: Design specifications, drawings, schematics, piping and instrumentation diagrams, and other documentation necessary to demonstrate the unit performance.

(3) If performance tests are used to determine treatment process or wastewater treatment system unit performance, then the owner or operator shall maintain all test information necessary to demonstrate the unit performance.

(i) A description of the unit including the following information: type of treatment process; manufacturer name and model number; and for each waste stream entering and exiting the unit, the waste stream type (e.g., process wastewater, sludge, slurry, etc.), and

the design flow rate and benzene content.

(ii) Documentation describing the test protocol and the means by which sampling variability and analytical variability were accounted for in the determination of the unit performance. The description of the test protocol shall include the following information: sampling locations, sampling method, sampling frequency, and analytical procedures used for sample analysis.

(iii) Records of unit operating conditions during each test run including all key process parameters.

(iv) All test results.

(4) If a control device is used, then the owner or operator shall maintain the control device records required by paragraph (f) of this section.

(f) An owner or operator using a closed-vent system and control device in accordance with §61.349 of this subpart shall maintain the following records. The documentation shall be retained for the life of the control device.

(1) A statement signed and dated by the owner or operator certifying that the closed-vent system and control device is designed to operate at the documented performance level when the waste management unit vented to the control device is or would be operating at the highest load or capacity expected to occur.

(2) If engineering calculations are used to determine control device performance in accordance with §61.349(c), then a design analysis for the control device that includes for example:

(i) Specifications, drawings, schematics, and piping and instrumentation diagrams prepared by the owner or operator, or the control device manufacturer or vendor that describe the control device design based on acceptable engineering texts. The design analysis shall address the following vent stream characteristics and control device operating parameters:

(A) For a thermal vapor incinerator, the design analysis shall consider the vent stream composition, constituent concentrations, and flow rate. The design analysis shall also establish the design minimum and average tempera-

ture in the combustion zone and the combustion zone residence time.

(B) For a catalytic vapor incinerator, the design analysis shall consider the vent stream composition, constituent concentrations, and flow rate. The design analysis shall also establish the design minimum and average temperatures across the catalyst bed inlet and outlet.

(C) For a boiler or process heater, the design analysis shall consider the vent stream composition, constituent concentrations, and flow rate. The design analysis shall also establish the design minimum and average flame zone temperatures, combustion zone residence time, and description of method and location where the vent stream is introduced into the flame zone.

(D) For a flare, the design analysis shall consider the vent stream composition, constituent concentrations, and flow rate. The design analysis shall also consider the requirements specified in 40 CFR 60.18.

(E) For a condenser, the design analysis shall consider the vent stream composition, constituent concentration, flow rate, relative humidity, and temperature. The design analysis shall also establish the design outlet organic compound concentration level or the design outlet benzene concentration level, design average temperature of the condenser exhaust vent stream, and the design average temperatures of the coolant fluid at the condenser inlet and outlet.

(F) For a carbon adsorption system that regenerates the carbon bed directly on-site in the control device such as a fixed-bed adsorber, the design analysis shall consider the vent stream composition, constituent concentration, flow rate, relative humidity, and temperature. The design analysis shall also establish the design exhaust vent stream organic compound concentration level or the design exhaust vent stream benzene concentration level, number and capacity of carbon beds, type and working capacity of activated carbon used for carbon beds, design total steam flow over the period of each complete carbon bed regeneration cycle, duration of the carbon bed

steaming and cooling/drying cycles, design carbon bed temperature after regeneration, design carbon bed regeneration time, and design service life of carbon.

(G) For a carbon adsorption system that does not regenerate the carbon bed directly on-site in the control device, such as a carbon canister, the design analysis shall consider the vent stream composition, constituent concentration, flow rate, relative humidity, and temperature. The design analysis shall also establish the design exhaust vent stream organic compound concentration level or the design exhaust vent stream benzene concentration level, capacity of carbon bed, type and working capacity of activated carbon used for carbon bed, and design carbon replacement interval based on the total carbon working capacity of the control device and source operating schedule.

(H) For a control device subject to the requirements of § 61.349(a)(2)(iv), the design analysis shall consider the vent stream composition, constituent concentration, and flow rate. The design analysis shall also include all of the information submitted under § 61.349 (a)(2)(iv).

(ii) [Reserved]

(3) If performance tests are used to determine control device performance in accordance with § 61.349(c) of this subpart:

(i) A description of how it is determined that the test is conducted when the waste management unit or treatment process is operating at the highest load or capacity level. This description shall include the estimated or design flow rate and organic content of each vent stream and definition of the acceptable operating ranges of key process and control parameters during the test program.

(ii) A description of the control device including the type of control device, control device manufacturer's name and model number, control device dimensions, capacity, and construction materials.

(iii) A detailed description of sampling and monitoring procedures, including sampling and monitoring locations in the system, the equipment to be used, sampling and monitoring fre-

quency, and planned analytical procedures for sample analysis.

(iv) All test results.

(g) An owner or operator shall maintain a record for each visual inspection required by §§ 61.343 through 61.347 of this subpart that identifies a problem (such as a broken seal, gap or other problem) which could result in benzene emissions. The record shall include the date of the inspection, waste management unit and control equipment location where the problem is identified, a description of the problem, a description of the corrective action taken, and the date the corrective action was completed.

(h) An owner or operator shall maintain a record for each test of no detectable emissions required by §§ 61.343 through 61.347 and § 61.349 of this subpart. The record shall include the following information: date the test is performed, background level measured during test, and maximum concentration indicated by the instrument reading measured for each potential leak interface. If detectable emissions are measured at a leak interface, then the record shall also include the waste management unit, control equipment, and leak interface location where detectable emissions were measured, a description of the problem, a description of the corrective action taken, and the date the corrective action was completed.

(i) For each treatment process and wastewater treatment system unit operated to comply with § 61.348, the owner or operator shall maintain documentation that includes the following information regarding the unit operation:

(1) Dates of startup and shutdown of the unit.

(2) If measurements of waste stream benzene concentration are performed in accordance with § 61.354(a)(1) of this subpart, the owner or operator shall maintain records that include date each test is performed and all test results.

(3) If a process parameter is continuously monitored in accordance with § 61.354(a)(2) of this subpart, the owner or operator shall maintain records that include a description of the operating

parameter (or parameters ) to be monitored to ensure that the unit will be operated in conformance with these standards and the unit's design specifications, and an explanation of the criteria used for selection of that parameter (or parameters). This documentation shall be kept for the life of the unit.

(4) If measurements of waste stream benzene concentration are performed in accordance with §61.354(b), the owner or operator shall maintain records that include the date each test is performed and all test results.

(5) Periods when the unit is not operated as designed.

(j) For each control device, the owner or operator shall maintain documentation that includes the following information regarding the control device operation:

(1) Dates of startup and shutdown of the closed-vent system and control device.

(2) A description of the operating parameter (or parameters ) to be monitored to ensure that the control device will be operated in conformance with these standards and the control device's design specifications and an explanation of the criteria used for selection of that parameter (or parameters). This documentation shall be kept for the life of the control device.

(3) Periods when the closed-vent system and control device are not operated as designed including all periods and the duration when:

(i) Any valve car-seal or closure mechanism required under §61.349(a)(1)(ii) is broken or the by-pass line valve position has changed.

(ii) The flow monitoring devices required under §61.349(a)(1)(ii) indicate that vapors are not routed to the control device as required.

(4) If a thermal vapor incinerator is used, then the owner or operator shall maintain continuous records of the temperature of the gas stream in the combustion zone of the incinerator and records of all 3-hour periods of operation during which the average temperature of the gas stream in the combustion zone is more than 28°C below the design combustion zone temperature.

(5) If a catalytic vapor incinerator is used, then the owner or operator shall maintain continuous records of the temperature of the gas stream both upstream and downstream of the catalyst bed of the incinerator, records of all 3-hour periods of operation during which the average temperature measured before the catalyst bed is more than 28°C below the design gas stream temperature, and records of all 3-hour periods of operation during which the average temperature difference across the catalyst bed is less than 80 percent of the design temperature difference.

(6) If a boiler or process heater is used, then the owner or operator shall maintain records of each occurrence when there is a change in the location at which the vent stream is introduced into the flame zone as required by §61.349(a)(2)(i)(C). For a boiler or process heater having a design heat input capacity less than 44 MW, the owner or operator shall maintain continuous records of the temperature of the gas stream in the combustion zone of the boiler or process heater and records of all 3-hour periods of operation during which the average temperature of the gas stream in the combustion zone is more than 28 °C below the design combustion zone temperature. For a boiler or process heater having a design heat input capacity greater than or equal to 44 MW, the owner or operator shall maintain continuous records of the parameter(s) monitored in accordance with the requirements of §61.354(c)(5).

(7) If a flare is used, then the owner or operator shall maintain continuous records of the flare pilot flame monitoring and records of all periods during which the pilot flame is absent.

(8) If a condenser is used, then the owner or operator shall maintain records from the monitoring device of the parameters selected to be monitored in accordance with §61.354(c)(6). If concentration of organics or concentration of benzene in the control device outlet gas stream is monitored, then the owner or operator shall record all 3-hour periods of operation during which the concentration of organics or the concentration of benzene in the exhaust stream is more than 20 percent greater than the design value. If the temperature of the condenser exhaust

stream and coolant fluid is monitored, then the owner or operator shall record all 3-hour periods of operation during which the temperature of the condenser exhaust vent stream is more than 6 ° C above the design average exhaust vent stream temperature, or the temperature of the coolant fluid exiting the condenser is more than 6 ° C above the design average coolant fluid temperature at the condenser outlet.

(9) If a carbon adsorber is used, then the owner or operator shall maintain records from the monitoring device of the concentration of organics or the concentration of benzene in the control device outlet gas stream. If the concentration of organics or the concentration of benzene in the control device outlet gas stream is monitored, then the owner or operator shall record all 3-hour periods of operation during which the concentration of organics or the concentration of benzene in the exhaust stream is more than 20 percent greater than the design value. If the carbon bed regeneration interval is monitored, then the owner or operator shall record each occurrence when the vent stream continues to flow through the control device beyond the predetermined carbon bed regeneration time.

(10) If a carbon adsorber that is not regenerated directly on site in the control device is used, then the owner or operator shall maintain records of dates and times when the control device is monitored, when breakthrough is measured, and shall record the date and time then the existing carbon in the control device is replaced with fresh carbon.

(11) If an alternative operational or process parameter is monitored for a control device, as allowed in § 61.354(e) of this subpart, then the owner or operator shall maintain records of the continuously monitored parameter, including periods when the device is not operated as designed.

(12) If a control device subject to the requirements of § 61.349(a)(2)(iv) is used, then the owner or operator shall maintain records of the parameters that are monitored and each occurrence when the parameters monitored are outside the range of values specified in

§ 61.349(a)(2)(iv)(C), or other records as specified by the Administrator.

(k) An owner or operator who elects to install and operate the control equipment in § 61.351 of this subpart shall comply with the recordkeeping requirements in 40 CFR 60.115b.

(l) An owner or operator who elects to install and operate the control equipment in § 61.352 of this subpart shall maintain records of the following:

(1) The date, location, and corrective action for each visual inspection required by 40 CFR 60.693-2(a)(5), during which a broken seal, gap, or other problem is identified that could result in benzene emissions.

(2) Results of the seal gap measurements required by 40 CFR 60.693-2(a).

(m) If a system is used for emission control that is maintained at a pressure less than atmospheric pressure with openings to provide dilution air, then the owner or operator shall maintain records of the monitoring device and records of all periods during which the pressure in the unit is operated at a pressure that is equal to or greater than atmospheric pressure.

[55 FR 8346, Mar. 7, 1990; 55 FR 12444, Apr. 3, 1990; 55 FR 18331, May 2, 1990, as amended at 58 FR 3103, Jan. 7, 1993]

#### § 61.357 Reporting requirements.

(a) Each owner or operator of a chemical plant, petroleum refinery, coke by-product recovery plant, and any facility managing wastes from these industries shall submit to the Administrator within 90 days after January 7, 1993, or by the initial startup for a new source with an initial startup after the effective date, a report that summarizes the regulatory status of each waste stream subject to § 61.342 and is determined by the procedures specified in § 61.355(c) to contain benzene. Each owner or operator subject to this subpart who has no benzene onsite in wastes, products, by-products, or intermediates shall submit an initial report that is a statement to this effect. For all other owners or operators subject to this subpart, the report shall include the following information:

(1) Total annual benzene quantity from facility waste determined in accordance with § 61.355(a) of this subpart.

## Environmental Protection Agency

## § 61.357

(2) A table identifying each waste stream and whether or not the waste stream will be controlled for benzene emissions in accordance with the requirements of this subpart.

(3) For each waste stream identified as not being controlled for benzene emissions in accordance with the requirements of this subpart the following information shall be added to the table:

(i) Whether or not the water content of the waste stream is greater than 10 percent;

(ii) Whether or not the waste stream is a process wastewater stream, product tank drawdown, or landfill leachate;

(iii) Annual waste quantity for the waste stream;

(iv) Range of benzene concentrations for the waste stream;

(v) Annual average flow-weighted benzene concentration for the waste stream; and

(vi) Annual benzene quantity for the waste stream.

(4) The information required in paragraphs (a) (1), (2), and (3) of this section should represent the waste stream characteristics based on current configuration and operating conditions. An owner or operator only needs to list in the report those waste streams that contact materials containing benzene. The report does not need to include a description of the controls to be installed to comply with the standard or other information required in §61.10(a).

(b) If the total annual benzene quantity from facility waste is less than 1 Mg/yr, then the owner or operator shall submit to the Administrator a report that updates the information listed in paragraphs (a)(1) through (a)(3) of this section whenever there is a change in the process generating the waste stream that could cause the total annual benzene quantity from facility waste to increase to 1 Mg/yr or more.

(c) If the total annual benzene quantity from facility waste is less than 10 Mg/yr but is equal to or greater than 1 Mg/yr, then the owner or operator shall submit to the Administrator a report that updates the information listed in paragraphs (a)(1) through (a)(3) of this section. The report shall be submitted annually and whenever there is a

change in the process generating the waste stream that could cause the total annual benzene quantity from facility waste to increase to 10 Mg/yr or more. If the information in the annual report required by paragraphs (a)(1) through (a)(3) of this section is not changed in the following year, the owner or operator may submit a statement to that effect.

(d) If the total annual benzene quantity from facility waste is equal to or greater than 10 Mg/yr, then the owner or operator shall submit to the Administrator the following reports:

(1) Within 90 days after January 7, 1993, unless a waiver of compliance under §61.11 of this part is granted, or by the date of initial startup for a new source with an initial startup after the effective date, a certification that the equipment necessary to comply with these standards has been installed and that the required initial inspections or tests have been carried out in accordance with this subpart. If a waiver of compliance is granted under §61.11, the certification of equipment necessary to comply with these standards shall be submitted by the date the waiver of compliance expires.

(2) Beginning on the date that the equipment necessary to comply with these standards has been certified in accordance with paragraph (d)(1) of this section, the owner or operator shall submit annually to the Administrator a report that updates the information listed in paragraphs (a)(1) through (a)(3) of this section. If the information in the annual report required by paragraphs (a)(1) through (a)(3) of this section is not changed in the following year, the owner or operator may submit a statement to that effect.

(3) If an owner or operator elects to comply with the requirements of §61.342(c)(3)(ii), then the report required by paragraph (d)(2) of this section shall include a table identifying each waste stream chosen for exemption and the total annual benzene quantity in these exempted streams.

(4) If an owner or operator elects to comply with the alternative requirements of §61.342(d) of this subpart, then he shall include in the report required by paragraph (d)(2) of this section a

table presenting the following information for each process wastewater stream:

(i) Whether or not the process wastewater stream is being controlled for benzene emissions in accordance with the requirements of this subpart;

(ii) For each process wastewater stream identified as not being controlled for benzene emissions in accordance with the requirements of this subpart, the table shall report the following information for the process wastewater stream as determined at the point of waste generation: annual waste quantity, range of benzene concentrations, annual average flow-weighted benzene concentration, and annual benzene quantity;

(iii) For each process wastewater stream identified as being controlled for benzene emissions in accordance with the requirements of this subpart, the table shall report the following information for the process wastewater stream as determined at the exit to the treatment process: Annual waste quantity, range of benzene concentrations, annual average flow-weighted benzene concentration, and annual benzene quantity.

(5) If an owner or operator elects to comply with the alternative requirements of §61.342(e), then the report required by paragraph (d)(2) of this section shall include a table presenting the following information for each waste stream:

(i) For each waste stream identified as not being controlled for benzene emissions in accordance with the requirements of this subpart; the table shall report the following information for the waste stream as determined at the point of waste generation: annual waste quantity, range of benzene concentrations, annual average flow-weighted benzene concentration, and annual benzene quantity;

(ii) For each waste stream identified as being controlled for benzene emissions in accordance with the requirements of this subpart; the table shall report the following information for the waste stream as determined at the applicable location described in §61.355(k)(2): Annual waste quantity, range of benzene concentrations, annual average flow-weighted benzene

concentration, and annual benzene quantity.

(6) Beginning 3 months after the date that the equipment necessary to comply with these standards has been certified in accordance with paragraph (d)(1) of this section, the owner or operator shall submit quarterly to the Administrator a certification that all of the required inspections have been carried out in accordance with the requirements of this subpart.

(7) Beginning 3 months after the date that the equipment necessary to comply with these standards has been certified in accordance with paragraph (d)(1) of this section, the owner or operator shall submit a report quarterly to the Administrator that includes:

(i) If a treatment process or wastewater treatment system unit is monitored in accordance with §61.354(a)(1) of this subpart, then each period of operation during which the concentration of benzene in the monitored waste stream exiting the unit is equal to or greater than 10 ppmw.

(ii) If a treatment process or wastewater treatment system unit is monitored in accordance with §61.354(a)(2) of this subpart, then each 3-hour period of operation during which the average value of the monitored parameter is outside the range of acceptable values or during which the unit is not operating as designed.

(iii) If a treatment process or wastewater treatment system unit is monitored in accordance with §61.354(b), then each period of operation during which the flow-weighted annual average concentration of benzene in the monitored waste stream entering the unit is equal to or greater than 10 ppmw and/or the total annual benzene quantity is equal to or greater than 1.0 mg/yr.

(iv) For a control device monitored in accordance with §61.354(c) of this subpart, each period of operation monitored during which any of the following conditions occur, as applicable to the control device:

(A) Each 3-hour period of operation during which the average temperature of the gas stream in the combustion zone of a thermal vapor incinerator, as measured by the temperature monitoring device, is more than 28 °C below



the design combustion zone temperature.

(B) Each 3-hour period of operation during which the average temperature of the gas stream immediately before the catalyst bed of a catalytic vapor incinerator, as measured by the temperature monitoring device, is more than 28 °C below the design gas stream temperature, and any 3-hour period during which the average temperature difference across the catalyst bed (i.e., the difference between the temperatures of the gas stream immediately before and after the catalyst bed), as measured by the temperature monitoring device, is less than 80 percent of the design temperature difference.

(C) Each 3-hour period of operation during which the average temperature of the gas stream in the combustion zone of a boiler or process heater having a design heat input capacity less than 44 MW, as measured by the temperature monitoring device, is more than 28 °C below the design combustion zone temperature.

(D) Each 3-hour period of operation during which the average concentration of organics or the average concentration of benzene in the exhaust gases from a carbon adsorber, condenser, or other vapor recovery system is more than 20 percent greater than the design concentration level of organics or benzene in the exhaust gas.

(E) Each 3-hour period of operation during which the temperature of the condenser exhaust vent stream is more than 6 °C above the design average exhaust vent stream temperature, or the temperature of the coolant fluid exiting the condenser is more than 6 °C above the design average coolant fluid temperature at the condenser outlet.

(F) Each period in which the pilot flame of a flare is absent.

(G) Each occurrence when there is a change in the location at which the vent stream is introduced into the flame zone of a boiler or process heater as required by § 61.349(a)(2)(i)(C) of this subpart.

(H) Each occurrence when the carbon in a carbon adsorber system that is regenerated directly on site in the control device is not regenerated at the predetermined carbon bed regeneration time.

(I) Each occurrence when the carbon in a carbon adsorber system that is not regenerated directly on site in the control device is not replaced at the predetermined interval specified in § 61.354(c) of this subpart.

(J) Each 3-hour period of operation during which the parameters monitored are outside the range of values specified in § 61.349(a)(2)(iv)(C), or any other periods specified by the Administrator for a control device subject to the requirements of § 61.349(a)(2)(iv).

(v) For a cover and closed-vent system monitored in accordance with § 61.354(g), the owner or operator shall submit a report quarterly to the Administrator that identifies any period in which the pressure in the waste management unit is equal to or greater than atmospheric pressure.

(8) Beginning one year after the date that the equipment necessary to comply with these standards has been certified in accordance with paragraph (d)(1) of this section, the owner or operator shall submit annually to the Administrator a report that summarizes all inspections required by §§ 61.342 through 61.354 during which detectable emissions are measured or a problem (such as a broken seal, gap or other problem) that could result in benzene emissions is identified, including information about the repairs or corrective action taken.

(e) An owner or operator electing to comply with the provisions of §§ 61.351 or 61.352 of this subpart shall notify the Administrator of the alternative standard selected in the report required under § 61.07 or § 61.10 of this part.

(f) An owner or operator who elects to install and operate the control equipment in § 61.351 of this subpart shall comply with the reporting requirements in 40 CFR 60.115b.

(g) An owner or operator who elects to install and operate the control equipment in § 61.352 of this subpart shall submit initial and quarterly reports that identify all seal gap measurements, as required in 40 CFR 60.693-2(a), that are outside the prescribed limits.

[55 FR 8346, Mar. 7 1990; 55 FR 12444, Apr. 3, 1990, as amended at 55 FR 37231, Sept. 10, 1990; 58 FR 3105, Jan. 7, 1993]

§ 61.358

40 CFR Ch. I (7-1-00 Edition)

§ 61.358 Delegation of authority.

(a) In delegating implementation and enforcement authority to a State under section 112(d) of the Clean Air Act, the authorities contained in paragraph (b) of this section shall be re-

tained by the Administrator and not transferred to a State.

(b) Alternative means of emission limitation under § 61.353 of this subpart will not be delegated to States.

§ 61.359 [Reserved]

APPENDIX A

National Emission Standards for Hazardous Air Pollutants  
Compliance Status Information

I. SOURCE REPORT

INSTRUCTIONS: Owners or operators of sources of hazardous pollutants subject to the National Emission Standards for Hazardous Air Pollutants are required to submit the information contained in Section I to the appropriate U.S. Environmental Protection Agency Regional Office prior to 90 days after the effective date of any standards or amendments which require the submission of such information.

A list of regional offices is provided in § 61.04.

A. SOURCE INFORMATION

1. Identification/Location - Indicate the name and address of each source.

|                                       |       |           |               |                |    |    |       |       |                |    |    |    |   |
|---------------------------------------|-------|-----------|---------------|----------------|----|----|-------|-------|----------------|----|----|----|---|
| 1                                     | 2     | 3         | 4             | 5              | 8  | 9  | 13    | 0     | 0              | 0  | 0  | 0  | 1 |
| Region                                | State | County    | Source Number | 14             | 16 | 17 | 18    | 19    |                |    |    |    |   |
| 20                                    | 22    | 23        | 26            | 27 Source Name |    |    |       | 46    |                |    |    |    |   |
| AQCR #                                |       | City Code |               |                |    |    |       |       |                |    |    |    |   |
| 47 Street Address (Location of Plant) |       |           |               |                |    |    |       |       |                |    | 66 | 80 |   |
| Dup 1-18                              |       | 19        | 20 City Name  |                |    |    | 34    | State | 35             | 39 |    |    |   |
| 40 State Regis. Number                |       |           |               |                |    |    |       | 54    | 55 NEDS X Ref. |    | 58 |    |   |
| 59 SIC                                |       |           |               |                | 62 | FF | 8     | 77    | 79             | 80 |    |    |   |
|                                       |       |           |               |                | 64 | 65 | Staff |       |                |    |    |    |   |
| Dup 1-18                              |       | 5         | 65            | SIP            | EC | 80 |       |       |                |    |    |    |   |
|                                       |       | 19        | 30            | 31             | 49 |    |       |       |                |    |    |    |   |

2. Contact - Indicate the name and telephone number of the owner or operator or other responsible official whom EPA may contact concerning this report.

Dup 1-18 <sup>4 1</sup>  
 19 20 21 \_\_\_\_\_ Name \_\_\_\_\_ 43

<sup>44 46</sup>  
 Area Code 47 Number 54 80

3. Source Description - Briefly state the nature of the source (e.g., "Chlor-alkali Plant" or "Machine Shop").

Dup 1-18 <sup>4 2</sup>  
 19 20 21 \_\_\_\_\_ Description \_\_\_\_\_ 50

51 \_\_\_\_\_ Continued \_\_\_\_\_ 79 80

4. Alternative Mailing Address - Indicate an alternative mailing address if correspondence is to be directed to a location different than that specified above.

Dup 1-18 <sup>4 3</sup>  
 19 20 21 \_\_\_\_\_ Number Street or Box Number \_\_\_\_\_ 45 80

Dup 1-18 <sup>4 4</sup>  
 19 20 21 \_\_\_\_\_ City \_\_\_\_\_ 35 State <sup>37 38</sup> 41 Zip 44 80

5. Compliance Status - The emissions from this source \_\_\_ can \_\_\_ cannot meet the emission limitations contained in the National Emission Standards on or prior to 90 days after the effective date of any standards or amendments which require the submission of such information.

Signature of Owner, Operator or Other Responsible Official

NOTE: If the emissions from the source will exceed those limits set by the National Emission Standards for Hazardous Air Pollutants, the source will be in violation and subject to Federal enforcement actions unless granted a waiver of compliance by the Administrator of the U.S. Environmental Protection Agency. The information needed for such waivers is listed in Section II of this form.

- B. PROCESS INFORMATION. Part B should be completed separately for each point of emission for each hazardous pollutant. [Sources subject to 61.22(1) may omit number 4. below.]

Dup 1-13 <sup>0 0 5</sup>  
 14 16 17 18 19 20 SCC 27 28 29 30 31  
 NEDS X Ref LS SIP

1. Pollutant Emitted - Indicate the type of hazardous pollutant emitted by the process. Indicate "AB" for asbestos, "BE" for beryllium, or "HG" for mercury.

|           |    |            |          |
|-----------|----|------------|----------|
| 32        | 33 |            |          |
| Pollutant | 34 | Regulation | 48       |
|           |    |            | 49<br>EC |

2. Process Description - Provide a brief description of each process (e.g., "hydrogen end box" in a mercury chlor-alkali plant, "grinding machine" in a beryllium machine shop). Use additional sheets if necessary.

|          |                     |       |    |    |
|----------|---------------------|-------|----|----|
| 50       | Process Description |       | 74 | 80 |
| Dup 1-18 | 6 1                 | 19 20 | 21 | 50 |
| 51       |                     |       | 79 | 80 |
| Dup 1-18 | 6 2                 | 19 20 | 21 | 50 |
| 51       |                     |       | 79 | 80 |

3. Amount of Pollutant - Indicate the average weight of the hazardous material named in Item 1 which enters the process in pounds per month (based on the previous twelve months of operation).

|          |     |       |    |    |          |    |    |    |
|----------|-----|-------|----|----|----------|----|----|----|
| Dup 1-18 | 6 3 | 19 20 | 21 | 27 | lbs./mo. | 29 | 36 | 80 |
|----------|-----|-------|----|----|----------|----|----|----|

4. Control Devices
  - a. Indicate the type of pollution control devices, if any, used to reduce the emissions from the process (e.g., venturi scrubber, baghouse, wet cyclone) and the estimated percent of the pollutant which the device removes from the process gas stream.

|          |     |       |    |                         |    |
|----------|-----|-------|----|-------------------------|----|
| Dup 1-18 | 6 4 | 19 20 | 21 | PRIMARY CONTROL DEVICE: | 43 |
|----------|-----|-------|----|-------------------------|----|

|    |                     |    |    |    |                            |    |    |
|----|---------------------|----|----|----|----------------------------|----|----|
| 45 | Primary Device Name | 64 | 66 | 70 | Percent Removal Efficiency | 72 | 79 |
|----|---------------------|----|----|----|----------------------------|----|----|

|    |
|----|
| 80 |
|----|

|          |       |                            |    |
|----------|-------|----------------------------|----|
| Dup 1-18 | 6 5   | SECONDARY CONTROL DEVICES: | 45 |
|          | 19 20 | 21                         |    |

|    |                       |    |    |                            |    |          |    |    |    |
|----|-----------------------|----|----|----------------------------|----|----------|----|----|----|
| 47 | Secondary Device Name | 64 | 66 | Percent Removal Efficiency | 70 | % EFFIC. | 72 | 79 | 80 |
|----|-----------------------|----|----|----------------------------|----|----------|----|----|----|

- b. Asbestos Emission Control Devices Only
- i. If a baghouse is specified in Item 4a, give the following information:
- The air flow permeability in cubic feet per minute per square foot of fabric area.  
Air flow permeability = \_\_\_\_\_ cfm/ft<sup>2</sup>
  - The pressure drop in inches water gauge across the filter at which the baghouse is operated.  
Operating pressure drop = \_\_\_\_\_ inches w.g.
  - If the baghouse material contains synthetic fill yarn, check whether this material is / / spun / / or not spun.
  - If the baghouse utilizes a felted fabric, give the minimum thickness in inches and the density in ounces per square yard.  
Thickness = \_\_\_\_\_ inches    Density = \_\_\_\_\_ oz/yd<sup>2</sup>
- ii. If a wet collection device is specified in Item 4a, give the designed unit contacting energy in inches water gauge.
- Unit contacting energy = \_\_\_\_\_ inches w.g.

C. DISPOSAL OF ASBESTOS-CONTAINING WASTES. Part C should be completed separately for each asbestos-containing waste generation operation arising from sources subject to §61.22(a), (c), (e), and (h).

|          |           |    |     |            |    |    |    |    |     |    |            |    |    |     |
|----------|-----------|----|-----|------------|----|----|----|----|-----|----|------------|----|----|-----|
| Dup 1-13 | 14        | 16 | 0 0 | 17         | 18 | 5  | 19 | 20 | SCC | 27 | 28         | 29 | 30 | 31  |
|          |           |    |     |            |    |    |    |    |     |    | NEOS X Ref |    | CS | SIP |
| A B      | 32        | 33 | 34  | Regulation | 48 | 49 | EC |    |     |    |            |    |    |     |
|          | Pollutant |    |     |            |    |    |    |    |     |    |            |    |    |     |

1. Waste Generation - Provide a brief description of each process that generates asbestos-containing waste (e.g. disposal of control device wastes).

50 \_\_\_\_\_ Process Description \_\_\_\_\_ 79 80

2. Asbestos Concentration - Indicate the average percentage asbestos content of these materials.

Dup 1-18 6 1 \_\_\_\_\_ ASBESTOS CONCENTRATION: \_\_\_\_\_ 43 45 \_\_\_\_\_ 48  
 19 20 21

%  
 50 80

3. Amount of Wastes - Indicate the average weight of asbestos-containing wastes disposed of, measured in kg/day.

Dup 1-18 6 2 \_\_\_\_\_ kg/day \_\_\_\_\_ 34 80  
 19 20 21 27 29

4. Control Methods - Indicate the emission control methods used in all stages of waste disposal, from collection, processing, and packaging to transporting and deposition.

Dup 1-18 6 3 \_\_\_\_\_ Primary Control Method \_\_\_\_\_ 43  
 19 20 21

45 \_\_\_\_\_ 79 80

Dup 1-18 6 4 \_\_\_\_\_ 50  
 19 20 21

51 \_\_\_\_\_ 79 80

5. Waste Disposal - Indicate the type of disposal site (sanitary landfill, open, covered) or incineration site (municipal, private) where the waste is disposed of and who operates the site (company, private, municipal). State the name and location of the site (closest city or town, county, state).

Dup 1-18 6 5 \_\_\_\_\_ TYPE OF SITE: \_\_\_\_\_ 33 35 \_\_\_\_\_ 50  
 19 20 21

51 \_\_\_\_\_ 79 80

Dup 1-18 6 6 OPERATOR: 19 20 21 29 31 50

51 79 80

Dup 1-18 6 7 LOCATION: 19 20 21 29

31 70

71 79 80

D. WASTE DISPOSAL SITES. Part D should be completed separately for each asbestos waste disposal site subject to section 61.22(1).

Dup 1-13 14 16 0 0 5 20 SCC 27 28 29 30 31  
NEDS X Ref CS SIP

A B  
 32 33 34 Regulation 48 49  
 Pollutant EC

50 WASTE DISPOSAL SITE 68 80

1. Description - Provide a brief description of the site, including its size and configuration, and the distance to the closest city or town, closest residence, and closest primary road.

Dup 1-18 6 1 SITE DESCRIPTION 19 20 21 37 39 50

51 79 80

Dup 1-18 6 2 DISTANCE: TOWN: K M  
 19 20 21 29 30 34 36 40 42 43

45 RESIDENCE: 54 56 60 62 63 65 ROAD: 69 71 75

K M  
 77 78 80

2. Inactivation - After the site is inactivated, indicate the method or methods used to comply with the standard and send a list of the actions that will be undertaken to maintain the inactivated site.

Dup 1-18 6 8 COMPLIANCE METHOD/INACTIVE SITE: 19 20 21 52

54 79 80

II. WAIVER REQUESTS

A. Waiver of Compliance. Owners or operators of sources unable to operate in compliance with the National Emission Standards for Hazardous Air Pollutants prior to 90 days after the effective date of any standards or

amendments which require the submission of such information may request a waiver of compliance from the Administrator of the U.S. Environmental Protection Agency for the time period necessary to install appropriate control devices or make modifications to achieve compliance. The Administrator may grant a waiver of compliance with the standard for a period not exceeding two years from the effective date of the hazardous pollutant standards, if he finds that such period is necessary for the installation of controls and that steps will be taken during the period of the waiver to assure that the health of persons will be protected from imminent endangerment.

The report information provided in Section I must accompany this application. Applications should be sent to the appropriate EPA regional office.

1. *Processes Involved*—Indicate the process or processes emitting hazardous pollutants to which emission controls are to be applied.

2. *Controls*

a. Describe the proposed type of control device to be added or modification to be made to the process to reduce the emission of hazardous pollutants to an acceptable level. (Use additional sheets if necessary.)

b. Describe the measures that will be taken during the waiver period to assure that the health of persons will be protected from imminent endangerment. (Use additional sheets if necessary.)

3. *Increments of Progress*—Specify the dates by which the following increments of progress will be met.

Date by which contracts for emission control systems or process modifications will be awarded; or date by which orders will be issued for the purchase of the component parts to accomplish emission control or process modification.

Dup 1-16      0 1 7  
 17 19 53 54 55 60 61 MO/DY/YR 66 80

Date of initiation of on-site construction or installation of emission control equipment or process change.

Dup 1-16      0 2 7  
 17 19 53 54 55 60 61 MO/DY/YR 66 80

Date by which on-site construction or installation of emission control equipment or process modification is to be completed.

Dup 1-16      0 3 7  
 17 19 53 54 55 60 61 MO/DY/YR 66 80

Date by which final compliance is to be achieved.

Dup 1-16      0 4 7  
 17 19 53 54 55 60 61 MO/DY/YR 66 80

B. *Waiver of Emission Tests.* A waiver of emission testing may be granted to owners or operators of sources subject to emission testing if, in the judgment of the Administrator of the Environmental Protection Agency the emissions from the source comply with the appropriate standard or if the owners or operators of the source have requested a waiver of compliance or have been granted a waiver of compliance.

This application should accompany the report information provided in Section I.

1. *Reason*—State the reasons for requesting a waiver of emission testing. If the reason stated is that the emissions from the source are within the prescribed limits, documentation of this condition must be attached.

\_\_\_\_\_  
 Date \_\_\_\_\_  
 Signature of the owner or operator \_\_\_\_\_

(Sec. 114, of the Clean Air Act as amended (42 U.S.C. 7414))

[40 FR 48303, Oct. 14, 1975, as amended at 43 FR 8800, Mar. 3, 1978; 50 FR 46295, Sept. 9, 1985]

APPENDIX B TO PART 61—TEST METHODS

Method 101—Determination of particulate and gaseous mercury emissions from chlor-alkali plants—air streams



Method 101A—Determination of particulate and gaseous mercury emissions from sewage sludge incinerators

Method 102—Determination of particulate and gaseous mercury emissions from chlor-alkali plants—hydrogen streams

Method 103—Beryllium screening method

Method 104—Determination of beryllium emissions from stationary sources

Method 105—Determination of mercury in wastewater treatment plant sewage sludges

Method 106—Determination of vinyl chloride from stationary sources

Method 107—Determination of vinyl chloride content of inprocess wastewater samples, and vinyl chloride content of polyvinyl chloride resin, slurry, wet cake, and latex samples

Method 107A—Determination of vinyl chloride content of solvents, resin-solvent solution, polyvinyl chloride resin, resin slurry, wet resin, and latex samples

Method 108—Determination of particulate and gaseous arsenic emissions

Method 108A—Determination of arsenic content in ore samples from nonferrous smelters

Method 108B—Determination of arsenic content in ore samples from nonferrous smelters

Method 108C—Determination of arsenic content in ore samples from nonferrous smelters

Method 111—Determination of Polonium—210 emissions from stationary sources

#### METHOD 101—DETERMINATION OF PARTICULATE AND GASEOUS MERCURY EMISSIONS FROM CHLOR-ALKALI PLANTS—AIR STREAMS

##### 1. Applicability and Principle

1.1 Applicability. This method applies to the determination of particulate and gaseous mercury (Hg) emissions from chlor-alkali plants and other sources (as specified in the regulations), where the carrier-gas stream in the duct or stack is principally air.

1.2 Principle. Particulate and gaseous Hg emissions are withdrawn isokinetically from the source and collected in acidic iodine monochloride (ICl) solution. The Hg collected (in the mercuric form) is reduced to elemental Hg, which is then aerated from the solution into an optical cell and measured by atomic absorption spectrophotometry.

##### 2. Range and Sensitivity

2.1 Range. After initial dilution, the range of this method is 0.5 to 120  $\mu\text{g Hg/ml}$ . The upper limit can be extended by further dilution of the sample.

2.2 Sensitivity. The sensitivity of this method depends on the recorder/spectrophotometer combination selected.

##### 3. Interfering Agents

3.1 Sampling.  $\text{SO}_2$  reduces ICl and causes premature depletion of the ICl solution.

3.2 Analysis. ICl concentrations greater than  $10^{-4}$  molar inhibit the reduction of the Hg (II) ion in the aeration cell. Condensation of water vapor on the optical cell windows causes a positive interference.

##### 4. Precision and Accuracy

The following estimates are based on collaborative tests, wherein 13 laboratories performed duplicate analyses on two Hg-containing samples from a chlor-alkali plant and on one laboratory-prepared sample of known Hg concentration. The concentration ranged from 2 to 65  $\mu\text{g Hg/ml}$ .

4.1 Precision. The estimated within-laboratory and between-laboratory standard deviations are 1.6 and 1.8  $\mu\text{g Hg/ml}$ , respectively.

4.2 Accuracy. The participating laboratories that analyzed a 64.3- $\mu\text{g Hg/ml}$  (in 0.1 M ICl) standard obtained a mean of 63.7  $\mu\text{g Hg/ml}$ .

##### 5. Apparatus

5.1 Sampling Train. A schematic of the sampling train is shown in Figure 101-1; it is similar to the Method 5 train (mention of Method 5 refers to part 60 of 40 CFR). The sampling train consists of the following components:

5.1.1 Probe Nozzle, Pitot Tube, Differential Pressure Gauge, Metering System, Barometer, and Gas Density Determination Equipment. Same as Method 5, Sections 2.1.1, 2.1.3, 2.1.4, 2.1.8, 2.1.9, and 2.1.10, respectively.

5.1.2 Probe Liner. Borosilicate or quartz glass tubing. The tester may use a heating system capable of maintaining a gas temperature of  $120 \pm 14$   $^{\circ}\text{C}$  ( $248 \pm 25$   $^{\circ}\text{F}$ ) at the probe exit during sampling to prevent water condensation.

NOTE: Do not use metal probe liners.

5.1.3 Impingers. Four Greenburg-Smith impingers connected in series with leak-free ground glass fittings or any similar leak-free noncontaminating fittings. For the first, third, and fourth impingers, the tester may use impingers that are modified by replacing the tip with a 13-mm-ID (0.5-in.) glass tube extending to 13 mm (0.5 in.) from the bottom of the flask.

5.1.4 Acid Trap. Mine Safety Appliances air line filter, Catalog number 81857, with acid absorbing cartridge and suitable connections, or equivalent.

5.2 Sample Recovery. The following items are needed:

5.2.1 Glass Sample Bottles. Leakless, with Teflon-lined caps, 1000- and 100-ml.

5.2.2 Graduated Cylinder. 250-ml.

5.2.3 Funnel and Rubber Policeman. To aid in transfer of silica gel to container; not necessary if silica gel is weighed in the field.

5.2.4 Funnel. Glass, to aid in sample recovery.

5.3 Sample Preparation and Analysis. The following equipment is needed:

5.3.1 Atomic Absorption Spectrophotometer. Perkin-Elmer 303, or equivalent, containing a hollow-cathode mercury lamp and the optical cell described in Section 5.3.2.

5.3.2 Optical Cell. Cylindrical shape with quartz end windows and having the dimensions shown in Figure 101-2. Wind the cell with approximately 2 meters of 24-gauge nichrome heating wire, and wrap with fiberglass insulation tape or equivalent; do not let the wires touch each other.

5.3.3 Aeration Cell. Constructed according to the specifications in Figure 101-3. Do not use a glass frit as a substitute for the blown glass bubbler tip shown in Figure 101-3.

5.3.4 Recorder. Matched to output of the spectrophotometer described in Section 5.3.1.

5.3.5 Variable Transformer. To vary the voltage on the optical cell from 0 to 40 volts.

5.3.6 Hood. For venting optical cell exhaust.

5.3.7 Flowmetering Valve.

5.3.8 Flowmeter. Rotameter or equivalent, capable of measuring a gas flow of 1.5 liters/min.

5.3.9 Aeration Gas Cylinder. Nitrogen or dry, Hg-free air, equipped with a single-stage regulator.

5.3.10 Connecting Tubing. Use glass tubing (ungreased ball- and socket-connections are recommended) for all tubing connections between the solution cell and the optical cell; do not use Tygon tubing, other types of flexible tubing, or metal tubing as substitutes. The tester may use Teflon, steel, or copper tubing between the nitrogen tank and flowmetering valve (5.3.7), and Tygon, gum, or rubber tubing between the flowmetering valve and the aeration cell.

5.3.11 Flow Rate Calibration Equipment. Bubble flowmeter or wet test meter for measuring a gas flow rate of  $1.5 \pm 0.1$  liters/min.

5.3.12 Volumetric Flasks. Class A with penny head standard taper stoppers; 100-, 250-, 500- and 1000-ml.

5.3.13 Volumetric Pipets. Class A; 1-, 2-, 3-, 4-, and 5-ml.

5.3.14 Graduated Cylinder. 50-ml.

5.3.15 Magnetic Stirrer. General-purpose laboratory type.

5.3.16 Magnetic Stirring Bar. Teflon-coated.

5.3.17 Balance. Capable of weighing to  $\pm 0.5$  g.

5.4 Alternative Analytical Apparatus. Alternative systems are allowable as long as they meet the following criteria:

5.4.1 A linear calibration curve is generated and two consecutive samples of the same aliquot size and concentration agree within 3 percent of their average.

5.4.2 A minimum of 95 percent of the spike is recovered when an aliquot of a source sam-

ple is spiked with a known concentration of mercury (II) compound.

5.4.3 The reducing agent should be added after the aeration cell is closed.

5.4.4 The aeration bottle bubbler should not contain a frit.

5.4.5 Any Tygon used should be as short as possible and conditioned prior to use until blanks and standards yield linear and reproducible results.

5.4.6 If manual stirring is done before aeration, it should be done with the aeration cell closed.

5.4.7 A drying tube should not be used unless it is conditioned as the Tygon above.

## 6. Reagents

Use ACS reagent-grade chemicals or equivalent, unless otherwise specified.

6.1 Sampling and Recovery. The reagents used in sampling and recovery are as follows:

6.1.1 Water. Deionized distilled, meeting ASTM Specifications for Type I Reagent Water—ASTM Test Method D1193-77 (incorporated by reference—see §61.18). If high concentrations of organic matter are not expected to be present, the analyst may eliminate the  $\text{KMnO}_4$  test for oxidizable organic matter. Use this water in all dilutions and solution preparations.

6.1.2 Nitric Acid ( $\text{HNO}_3$ ), 50 Percent (V/V). Mix equal volumes of concentrated  $\text{HNO}_3$  and deionized distilled water, being careful to slowly add the acid to the water.

6.1.3 Silica Gel. Indicating type, 6- to 16-mesh. If previously used, dry at  $175^\circ\text{C}$  ( $350^\circ\text{F}$ ) for 2 hours. The tester may use new silica gel as received.

6.1.4 Potassium Iodide (KI) Solution, 25 Percent. Dissolve 250 g of KI in deionized distilled water and dilute to 1 liter.

6.1.5 Iodine Monochloride (ICl) Stock Solution, 1.0 M. To 800 ml of 25 percent KI solution, add 800 ml of concentrated hydrochloric acid (HCl). Cool to room temperature. With vigorous stirring, slowly add 135 g of potassium iodate ( $\text{KIO}_3$ ) and stir until all free iodine has dissolved. A clear orange-red solution occurs when all the  $\text{KIO}_3$  has been added. Cool to room temperature and dilute to 1800 ml with deionized distilled water. Keep the solution in amber glass bottles to prevent degradation.

6.1.6 Absorbing Solution, 0.1 M ICl. Dilute 100 ml of the 1.0 M ICl stock solution to 1 liter with deionized distilled water. Keep the solution in amber glass bottles and in darkness to prevent degradation. This reagent is stable for at least 2 months.

6.2 Sample Preparation and Analysis. The reagents needed are listed below:

6.2.1 Tin (II) Solution. Prepare fresh daily and keep sealed when not being used. Completely dissolve 20 g of tin (II) chloride [or 25 g of tin (II) sulfate] crystals (Baker Analyzed reagent grade or any other brand that will

give a clear solution) in 25 ml of concentrated HCl. Dilute to 250 ml with deionized distilled water. Do not substitute HNO<sub>3</sub>, H<sub>2</sub>SO<sub>4</sub>, or other strong acids for the HCl.

6.2.2 Mercury Stock Solution, 1 mg Hg/ml. Prepare and store all mercury standard solutions in borosilicate glass containers. Completely dissolve 0.1354 g of mercury (II) chloride in 75 ml of deionized distilled water in a 100 ml glass volumetric flask. Add 10 ml of concentrated HNO<sub>3</sub>, and adjust the volume to exactly 100 ml with deionized distilled water. Mix thoroughly. This solution is stable for at least 1 month.

6.2.3 Sulfuric Acid, 5 Percent (V/V). Dilute 25 ml of concentrated H<sub>2</sub>SO<sub>4</sub> to 500 ml with deionized distilled water.

6.2.4 Intermediate Mercury Standard Solution, 10 µg Hg/ml. Prepare fresh weekly. Pipet 5.0 ml of the mercury stock solution (6.2.2) into a 500-ml glass volumetric flask and add 20 ml of the 5 percent H<sub>2</sub>SO<sub>4</sub> solution. Dilute to exactly 500 ml with deionized distilled water. Thoroughly mix the solution.

6.2.5 Working Mercury Standard Solution, 200 ng Hg/ml. Prepare fresh daily. Pipet 5.0 ml from the "Intermediate Mercury Standard Solution" (6.2.4) into a 250-ml volumetric glass flask. Add 10 ml of the 5 percent H<sub>2</sub>SO<sub>4</sub> and 2 ml of the 0.1 M ICl absorbing solution taken as a blank (7.2.3) and dilute to 250 ml with deionized distilled water. Mix thoroughly.

## 7. Procedure

7.1 Sampling. Because of the complexity of this method, testers should be trained and experienced with the test procedures to assure reliable results. Since the amount of Hg that is collected generally is small, the method must be carefully applied to prevent contamination or loss of sample.

7.1.1 Pretest Preparation. Follow the general procedure given in Method 5, Section 4.1.1, except omit the directions on the filter.

7.1.2 Preliminary Determinations. Follow the general procedure given in Method 5, Section 4.1.2, except as follows: Select a nozzle size based on the range of velocity heads to assure that it is not necessary to change the nozzle size in order to maintain isokinetic sampling rates below 28 liters/min (1.0 cfm).

Obtain samples over a period or periods that accurately determine the maximum emissions that occur in a 24-hour period. In the case of cyclic operations, run sufficient tests for the accurate determination of the emissions that occur over the duration of the cycle. A minimum sample time of 2 hours is recommended. In some instances, high Hg or high SO<sub>2</sub> concentrations make it impossible to sample for the desired minimum time. This is indicated by reddening (liberation of free iodine) in the first impinger. In these cases, the tester may divide the sample run

into two or more subruns to insure that the absorbing solution is not depleted.

7.1.3 Preparation of Sampling Train. Clean all glassware [probe, impingers, and connectors] by rinsing with 50 percent HNO<sub>3</sub>, tap water, 0.1 M ICl, tap water, and finally deionized distilled water. Place 100 ml of 0.1 M ICl in each of the first three impingers. Take care to prevent the absorbing solution from contacting any greased surfaces. Place approximately 200 g of preweighed silica gel in the fourth impinger. The tester may use more silica gel, but should be careful to ensure that it is not entrained and carried out from the impinger during sampling. Place the silica gel container in a clean place for later use in the sample recovery. Alternatively, determine and record the weight of the silica gel plus impinger to the nearest 0.5 g.

Install the selected nozzle using a Viton A O-ring when stack temperatures are less than 260 °C (500 °F). Use a fiberglass string gasket if temperatures are higher. See APTD-0576 (Citation 9 in Section 10) for details. Other connecting systems using either 316 stainless steel or Teflon ferrules may be used. Mark the probe with heat-resistant tape or by some other method to denote the proper distance into the stack or duct for each sampling point. Assemble the train as shown in Figure 101-1, using (if necessary) a very light coat of silicone grease on all ground glass joints. Grease only the outer portion (see APTD-0576) to avoid possibility of contamination by the silicone grease.

NOTE: An empty impinger may be inserted between the third impinger and the silica gel to remove excess moisture from the sample stream.

After the sampling train has been assembled, turn on and set the probe, if applicable, at the desired operating temperature. Allow time for the temperatures to stabilize. Place crushed ice around the impingers.

7.1.4 Leak-Check Procedures. Follow the leak-check procedures outlined in Method 5, Sections 4.1.4.1 (Pretest Leak Check), 4.1.4.2 (Leak Checks During Sample Run), and 4.1.4.3 (Post-Test Leak Check).

7.1.5 Mercury Train Operation. Follow the general procedure given in Method 5, Section 4.1.5. For each run, record the data required on a data sheet such as the one shown in Figure 101-4.

7.1.6 Calculation of Percent Isokinetic. Same as Method 5, Section 4.1.6.

7.2 Sample Recovery. Begin proper clean-up procedure as soon as the probe is removed from the stack at the end of the sampling period.

Allow the probe to cool. When it can be safely handled, wipe off any external particulate matter near the tip of the probe nozzle and place a cap over it. Do not cap off the probe tip tightly while the sampling train is

cooling. Capping would create a vacuum and draw liquid out from the impingers.

Before moving the sampling train to the cleanup site, remove the probe from the train, wipe off the silicone grease, and cap the open outlet of the probe. Be careful not to lose any condensate that might be present. Wipe off the silicone grease from the impinger. Use either ground-glass stoppers, plastic caps, or serum caps to close these openings.

Transfer the probe and impinger assembly to a cleanup area that is clean, protected from the wind, and free of Hg contamination. The ambient air in laboratories located in the immediate vicinity of Hg-using facilities is not normally free of Hg contamination.

Inspect the train before and during assembly, and note any abnormal conditions. Treat the sample as follows:

7.2.1 Container No. 1 (Impinger and Probe). Using a graduated cylinder, measure the liquid in the first three impingers to within  $\pm 1$  ml. Record the volume of liquid present (e.g., see Figure 5-3 of Method 5). This information is needed to calculate the moisture content of the effluent gas. (Use only glass storage bottles and graduated cylinders that have been precleaned as in Section 7.1.3.) Place the contents of the first three impingers into a 1000-ml glass sample bottle.

Taking care that dust on the outside of the probe or other exterior surfaces does not get into the sample, quantitatively recover the Hg (and any condensate) from the probe nozzle, probe fitting, and probe liner as follows: Rinse these components with two 50-ml portions of 0.1 M ICI. Next, rinse the probe nozzle, fitting and liner, and each piece of connecting glassware between the probe liner and the back half of the third impinger with a maximum of 400 ml of deionized distilled water. Add all washings to the 1000-ml glass sample bottle containing the liquid from the first three impingers.

After all washings have been collected in the sample container, tighten the lid on the container to prevent leakage during shipment to the laboratory. Mark the height of the liquid to determine later whether leakage occurred during transport. Label the container to clearly identify its contents.

7.2.2 Container No. 2 (Silica Gel). Note the color of the indicating silica gel to determine whether it has been completely spent and make a notation of its condition. Transfer the silica gel from its impinger to its original container and seal. The tester may use as aids a funnel to pour the silica gel and a rubber policeman to remove the silica gel from the impinger. The small amount of particles that may adhere to the impinger will need not be removed. Since the gain in weight is to be used for moisture calculations, do not use any water or other liquids to transfer the silica gel. If a balance is

available in the field, weigh the spent silica gel (or silica gel plus impinger) to the nearest 0.5 g; record this weight.

7.2.3 Container No. 3 (Absorbing Solution Blank). For a blank, place 50 ml of the 0.1 M ICI absorbing solution in a 100-ml sample bottle. Seal the container. Use this blank to prepare the working mercury standard solution (6.2.5).

7.3 Sample Preparation. Check the liquid level in each container to see whether liquid was lost during transport. If a noticeable amount of leakage occurred, either void the sample or use methods subject to the approval of the Administrator to account for the losses. Then follow the procedures below:

7.3.1 Container No. 1 (Impinger and Probe). Carefully transfer the contents of Container No. 1 into a 1000-ml volumetric flask and adjust the volume to exactly 1000 ml with deionized distilled water.

7.3.2 Dilutions. Pipet a 2-ml aliquot from the diluted sample from 7.3.1 into a 250-ml volumetric flask. Add 10 ml of 5 percent  $\text{H}_2\text{SO}_4$  and adjust the volume to exactly 250 ml with deionized distilled water. These solutions are stable for at least 72 hours.

NOTE: The dilution factor will be  $250/2$  for this solution.

7.4 Analysis. Calibrate the spectrophotometer and recorder and prepare the calibration curve as described in Sections 8.1 to 8.2.

7.4.1 Mercury Samples. Repeat the procedure used to establish the calibration curve with appropriately sized aliquots (1 to 5 ml) of each of the diluted samples (from Section 7.3.2) until two consecutive peak heights agree within  $\pm 3$  percent of their average value. The peak maximum of an aliquot (except the 5-ml aliquot) must be greater than 10 percent of the recorder full scale. If the peak maximum of a 1.0-ml aliquot is off scale on the recorder, further dilute the original source sample to bring the Hg concentration into the calibration range of the spectrophotometer.

Run a blank and standard at least after every five samples to check the spectrophotometer calibration; recalibrate as necessary.

It is also recommended that at least one sample from each stack test be checked by the Method of Standard Additions to confirm that matrix effects have not interfered in the analysis.

7.4.2 Container No. 2 (Silica Gel). Weigh the spent silica gel (or silica gel plus impinger) to the nearest 0.5 g using a balance. (This step may be conducted in the field.)

#### 8. Calibration and Standards

Before use, clean all glassware, both new and used, as follows: brush with soap and water, liberally rinse with tap water, soak for 1 hour in 50 percent  $\text{HNO}_3$ , and then rinse with deionized distilled water.

8.1 Flow Calibration. Assemble the aeration system as shown in Figure 101-5. Set the outlet pressure on the aeration gas cylinder regulator to a minimum pressure of 500 mm Hg (10 psi), and use the flowmetering valve and a bubble flowmeter or wet test meter to obtain a flow rate of  $1.5 \pm 0.1$  liters/min through the aeration cell. After the flow calibration is complete, remove the bubble flowmeter from the system.

8.2 Optical Cell Heating System Calibration. Using a 50-ml graduated cylinder, add 50 ml of deionized distilled water to the bottle section of the aeration cell and attach the bottle section to the bubbler section of the cell. Attach the aeration cell to the optical cell; and while aerating at 1.5 liters/min, determine the minimum variable transformer setting necessary to prevent condensation of moisture in the optical cell and in the connecting tubing. (This setting should not exceed 20 volts.)

8.3 Spectrophotometer and Recorder Calibration. The mercury response may be measured by either peak height or peak area.

NOTE: The temperature of the solution affects the rate at which elemental Hg is released from a solution and, consequently, it affects the shape of the absorption curve (area) and the point of maximum absorbance (peak height). Therefore, to obtain reproducible results, bring all solutions to room temperature before use.

Set the spectrophotometer wavelength at 253.7 nm, and make certain the optical cell is at the minimum temperature that will prevent water condensation. Then set the recorder scale as follows: Using a 50-ml graduated cylinder, add 50 ml of deionized distilled water to the aeration cell bottle and pipet 5.0 ml of the working mercury standard solution into the aeration cell.

NOTE: Always add the Hg-containing solution to the aeration cell after the 50 ml of deionized distilled water.

Place a Teflon-coated stirring bar in the bottle. Before attaching the bottle section to the bubbler section of the aeration cell, make certain that (1) the aeration cell exit arm stopcock (Figure 101-3) is closed (so that Hg will not prematurely enter the optical cell when the reducing agent is being added) and (2) there is no flow through the bubbler. If conditions (1) and (2) are met, attach the bottle section to the bubbler section of the aeration cell. Pipet 5 ml of stannous chloride solution into the aeration cell through the side arm, and immediately stopper the side arm. Stir the solution for 15 sec, turn on the recorder, open the aeration cell exit arm stopcock, and then immediately initiate aeration with continued stirring. Determine the maximum absorbance of the standard and set this value to read 90 percent of the recorder full scale.

8.4 Calibration Curve. After setting the recorder scale, repeat the procedure in Sec-

tion 8.3 using 0.0-, 1.0-, 2.0-, 3.0-, 4.0-, and 5.0-ml aliquots of the working standard solution (final amount of Hg in the aeration cell is 0, 200, 400, 600, 800, and 1000 ng, respectively). Repeat this procedure on each aliquot size until two consecutive peaks agree within 3 percent of their average value. (Note: To prevent Hg carryover from one sample to another, do not close the aeration gas tank valve and do not disconnect the aeration cell from the optical cell until the recorder pen has returned to the baseline.) It should not be necessary to disconnect the aeration gas inlet line from the aeration cell when changing samples. After separating the bottle and bubbler sections of the aeration cell, place the bubbler section into a 600-ml beaker containing approximately 400 ml of deionized distilled water. Rinse the bottle section of the aeration cell with a stream of deionized distilled water to remove all traces of the tin (II) reducing agent. Also, to prevent the loss of Hg before aeration, remove all traces of the reducing agent between samples by washing with deionized distilled water. It will be necessary, however, to wash the aeration cell parts with concentrated HCl if any of the following conditions occur: (1) A white film appears on any inside surface of the aeration cell, (2) the calibration curve changes suddenly, or (3) the replicate samples do not yield reproducible results.

Subtract the average peak height (or peak area) of the blank (0.0-ml aliquot)—which should be less than 2 percent of recorder full scale—from the averaged peak heights of the 1.0-, 2.0-, 3.0-, 4.0-, and 5.0-ml aliquot standards. If the blank absorbance is greater than 2 percent of full-scale, the probable cause is Hg contamination of a reagent or carry-over of Hg from a previous sample. Plot the corrected peak height of each standard solution versus the corresponding final total Hg weight in the aeration cell (in ng) and draw the best-fit straight line. This line should either pass through the origin or pass through a point no further from the origin than  $\pm 2$  percent of the recorder full scale. If the line does not pass through or very near to the origin, check for nonlinearity of the curve and for incorrectly prepared standards.

8.5 Sampling Train Calibration. Calibrate the sampling train components according to the procedures outlined in the following sections of Method 5: Section 5.1 (Probe Nozzle), Section 5.2 (Pitot Tube), Section 5.3 (Metering System), Section 5.4 (Probe Heater), Section 5.5 (Temperature Gauges), Section 5.7 (Barometer). Note that the leak-check described in Section 5.6 of Method 5 applies to this method.

## 9. Calculations

9.1 Dry Gas Volume. Using the data from this test, calculate  $V_{m(\text{std})}$ , the dry gas sample volume at standard conditions (corrected

for leakage, if necessary) as outlined in Section 6.3 of Method 5.

9.2 Volume of Water Vapor and Moisture Content. Using the data obtained from this test, calculate the volume of water vapor  $V_{w(\text{std})}$  and the moisture content  $B_{ws}$  of the stack gas. Use Equations 5-2 and 5-3 of Method 5.

9.3 Stack Gas Velocity. Using the data from this test and Equation 2-9 of Method 2, calculate the average stack gas velocity  $v_s$ .

9.4 Total Mercury. For each source sample, correct the average maximum absorbance of the two consecutive samples whose peak heights agree within  $\pm 3$  percent of their average for the contribution of the solution blank (see Section 8.4). Use the calibration curve and these corrected averages, to determine the final total weight of mercury in nanograms in the aeration cell for each source sample. Correct for any dilutions made to bring the sample in the working range of the spectrophotometer. Then calculate the Hg in  $\mu\text{g}$  ( $m_{\text{Hg}}$ ) in the original solution as follows:

$$m_{\text{Hg}} = \frac{C_{\text{Hg(AC)}}(\text{D.F.})V_f 10^{-3}}{S} \quad \text{Eq. 101-1}$$

where:

$C_{\text{Hg(AC)}}$ =Total nanograms of mercury in aliquot analyzed (reagent blank subtracted).

D.F.=Dilution factor for the Hg-containing solution (before adding to the aeration cell; e.g., D.F.=250/2 if the source samples were diluted as described in Section 7.3.2).

$V_f$ =Solution volume of original sample, 1000 ml for samples diluted as described in Section 7.2.1.

$10^{-3}$ =Conversion factor,  $\mu\text{g}/\text{ng}$ .

$S$ =Aliquot volume added to aeration cell, ml.

9.5 Mercury Emission Rate. Calculate the Hg emission rate  $R$  in g/day for continuous operations using Equation 101-2. For cyclic operations, use only the time per day each stack is in operation. The total Hg emission rate from a source will be the summation of results from all stacks.

$$R = K \frac{m_{\text{Hg}} V_s A_s (86,400 \times 10^{-6})}{[V_{m(\text{std})} + V_{w(\text{std})}] (T_s/P_s)} \quad \text{Eq. 101-2}$$

where:

$A_s$ =Stack cross-sectional area,  $\text{m}^2$  ( $\text{ft}^2$ ).

86,400=Conversion factor,  $\text{sec}/\text{day}$ .

$10^{-6}$ =Conversion factor,  $\text{g}/\mu\text{g}$ .

$T_s$ =Absolute average stack gas temperature,  $^\circ\text{K}$  ( $^\circ\text{R}$ ).

$P_s$ =Absolute stack gas pressure, mm Hg (in. Hg).

$K=0.3858$   $^\circ\text{K}/\text{mm Hg}$  for metric units.

$=17.64$   $^\circ\text{R}/\text{in. Hg}$  for English units.

$v_s$ =Average gas velocity,  $\text{m}/\text{sec}$  ( $\text{ft}/\text{sec}$ ).

$V_{m(\text{std})}$ =Dry gas sample volume at standard conditions,  $\text{scm}$  ( $\text{scf}$ ).

$V_{w(\text{std})}$ =Volume of water vapor at standard conditions,  $\text{scm}$  ( $\text{scf}$ ).

9.6 Isokinetic Variation and Acceptable Results. Same as Method 5, Sections 6.11 and 6.12, respectively.

9.7 Determination of Compliance. Each performance test consists of three repetitions of the applicable test method. For the purpose of determining compliance with an applicable national emission standard, use the average of the results of all repetitions.

#### 10. Bibliography

1. Addendum to Specifications for Incinerator Testing at Federal Facilities. PHS, NCAPC. December 6, 1967.

2. Determining Dust Concentration in a Gas Stream. ASME Performance Test Code No. 27. New York, NY. 1957.

3. Devorkin, Howard, et al. Air Pollution Source Testing Manual. Air Pollution Control District. Los Angeles, CA. November 1963.

4. Hatch, W.R., and W.I. Ott. Determination of Sub-Microgram Quantities of Mercury by Atomic Absorption Spectrophotometry. *Anal. Chem.* 40:2085-87. 1968.

5. Mark, L.S. Mechanical Engineers' Handbook. McGraw-Hill Book Co., Inc. New York, NY. 1951.

6. Martin, Robert M. Construction Details of Isokinetic Source Sampling Equipment. U.S. Environmental Protection Agency. Research Triangle Park, NC. Publication No. APTD-0581. April 1971.

7. Western Precipitation Division of Joy Manufacturing Co. Methods for Determination of Velocity, Volume, Dust and Mist Content of Gases. Bulletin WP-50. Los Angeles, CA. 1968.

8. Perry, J.H. Chemical Engineers' Handbook. McGraw-Hill Book Co., Inc. New York, NY. 1960.

9. Rom, Jerome J. Maintenance, Calibration, and Operation of Isokinetic Source Sampling Equipment. U.S. Environmental Protection Agency. Research Triangle Park, NC. Publication No. APTD-0576. April 1972.

10. Shigehara, R.T., W.F. Todd, and W.S. Smith. Significance of Errors in Stack Sampling Measurements. *Stack Sampling News.* 1(3):6-18. September 1973.

11. Smith, W.S., et al. Stack Gas Sampling Improved and Simplified with New Equipment. APCA Paper No. 67-119. 1967.

12. Smith, W.S., R.T. Shigehara, and W.F. Todd. A Method of Interpreting Stack Sampling Data. *Stack Sampling News.* 1(2):8-17. August 1973.

13. Specifications for Incinerator Testing at Federal Facilities. PHS, NCAPA. 1967.

**Environmental Protection Agency**

**Pt. 61, App. B, Meth. 101**

14. Standard Method for Sampling Stacks for Particulate Matter. In: 1971 Annual Book of ASTM Standards, part 23. ASTM Designation D-2928-71. Philadelphia, PA. 1971.

15. Vennard, J.K. Elementary Fluid Mechanics. John Wiley and Sons, Inc. New York. 1947.

16. Mitchell, W.J., and M.R. Midgett. Improved Procedure for Determining Mercury Emissions from Mercury Cell Chlor-Alkali Plants. *J. APCA.* 26: 674-677. July 1976.

17. Shigehara, R.T. Adjustments in the EPA Nomograph for Different Pitot Tube Coefficients and Dry Molecular Weights. *Stack Sampling News.* 2:4-11. October 1974.

18. Vollaro, R.F. Recommended Procedure for Sample Traverses in Ducts Smaller than 12 Inches in Diameter. U.S. Environmental Protection Agency, Emission Measurement Branch. Research Triangle Park, NC. November 1976.

19. Klein, R., and C. Hach. Standard Additions: Uses and Limitation in Spectrophotometric Measurements. *Amer. Lab.* 9:21. 1977.

20. Water, Atmospheric Analysis. In: Annual Book of ASTM Standards, part 31. ASTM Designation D-1193-74. Philadelphia, PA. 1974.

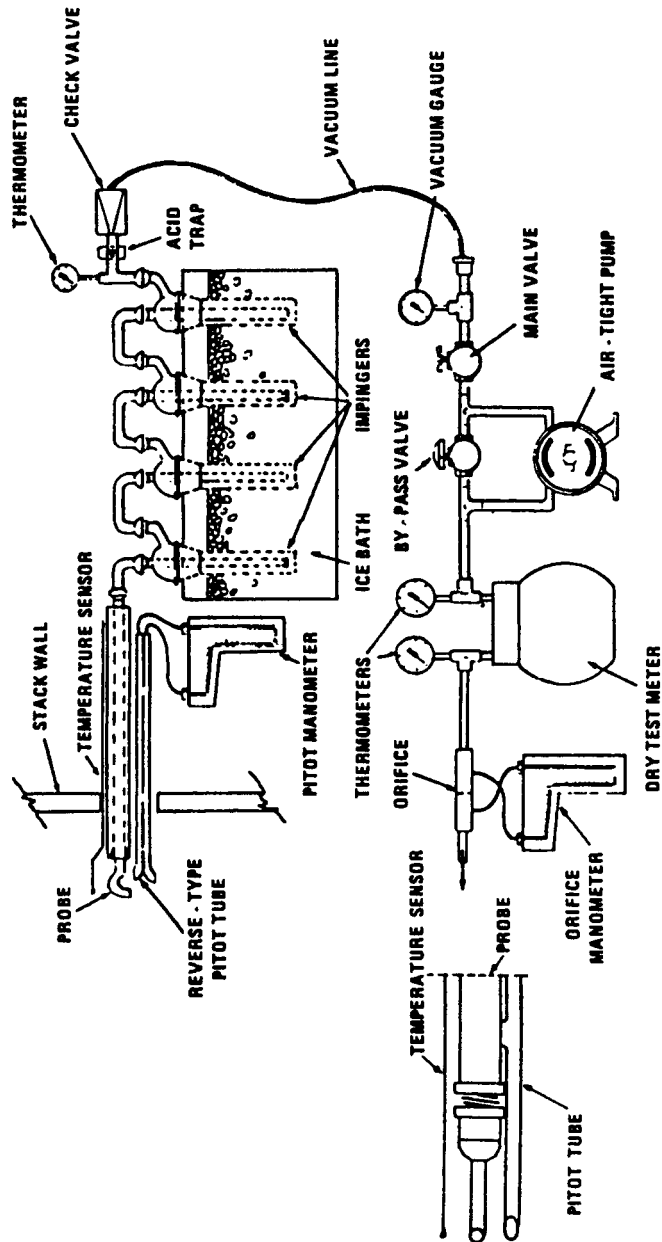


Figure 101-1 Mercury sampling train.



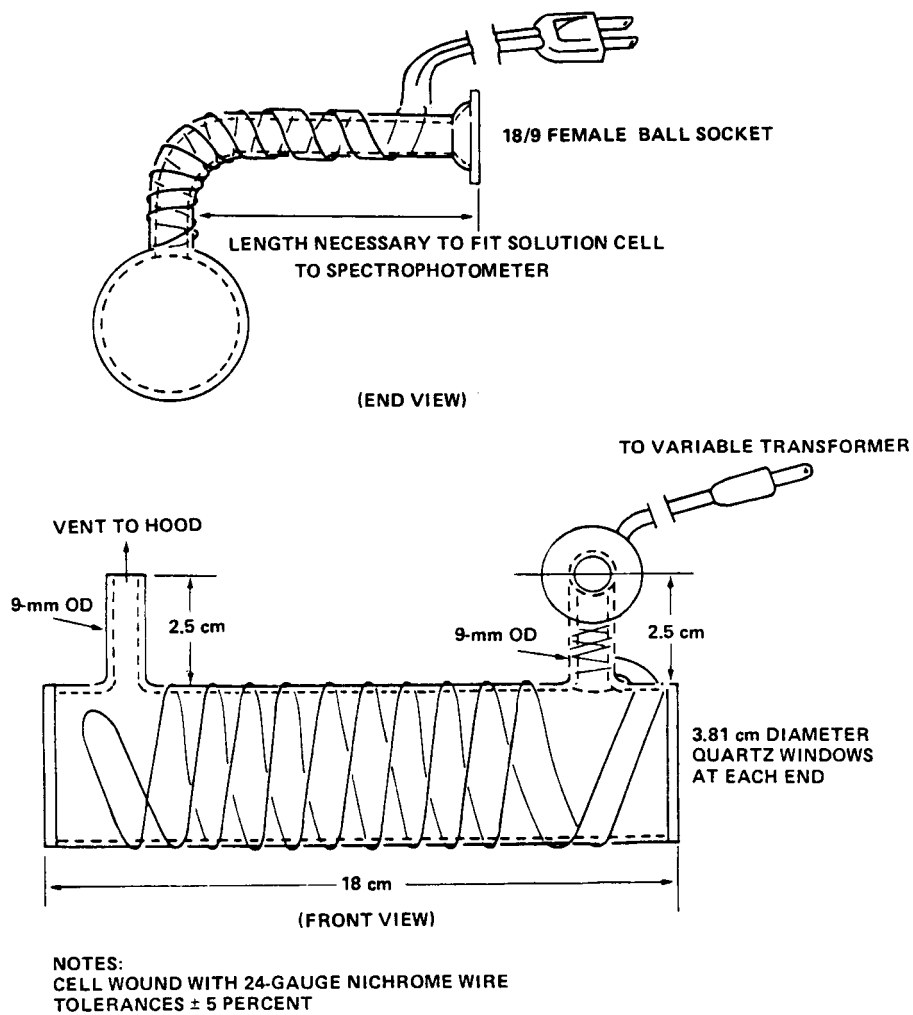


Figure 101-2. Optical cell.

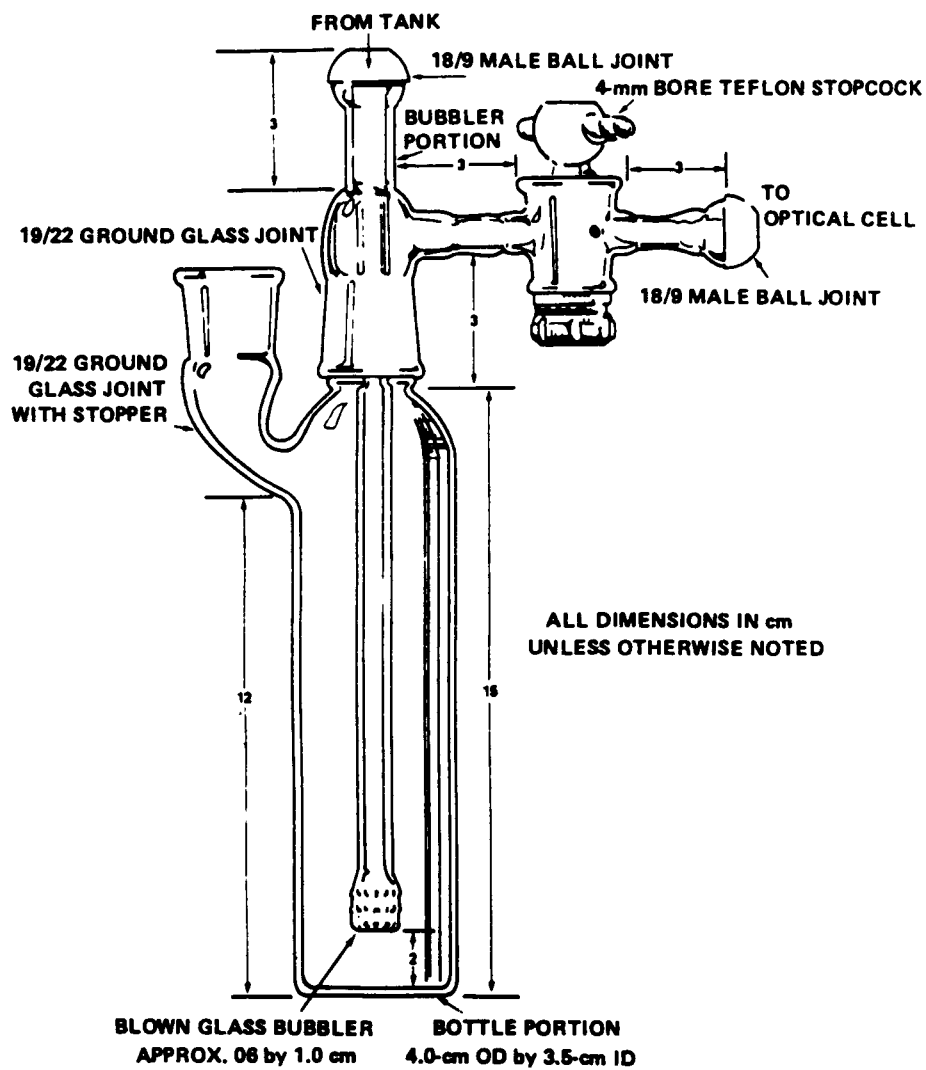


Figure 101-3. Aeration cell.



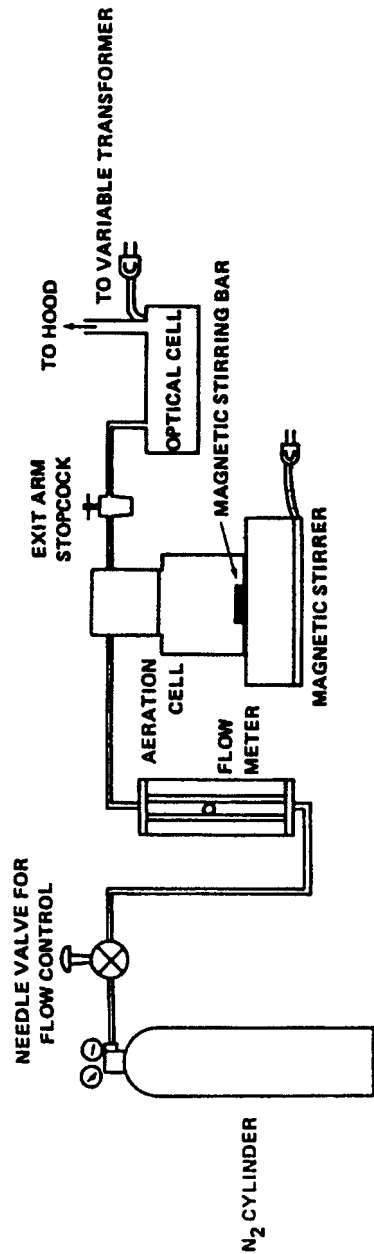


Figure 101-5. Schematic of aeration system.

METHOD 101A—DETERMINATION OF PARTICULATE AND GASEOUS MERCURY EMISSIONS FROM STATIONARY SOURCES  
*Introduction*

This method is similar to Method 101, except acidic potassium permanganate solution is used instead of acidic iodine monochloride for collection.

### 1. *Applicability and Principle*

1.1 *Applicability.* This method applies to the determination of particulate and gaseous mercury (Hg) emissions from sewage sludge incinerators and other sources as specified in the regulations.

1.2 *Principle.* Particulate and gaseous Hg emissions are withdrawn isokinetically from the source and collected in acidic potassium permanganate (KMnO<sub>4</sub>) solution. The Hg collected (in the mercuric form) is reduced to elemental Hg, which is then aerated from the solution into an optical cell and measured by atomic absorption spectrophotometry.

#### 2. *Range and Sensitivity*

2.1 *Range.* After initial dilution, the range of this method is 20 to 800 ng Hg/ml. The upper limit can be extended by further dilution of the sample.

2.2 *Sensitivity.* The sensitivity of the method depends on the recorder/spectrophotometer combination selected.

### 3. *Interfering Agents*

3.1 *Sampling.* Excessive oxidizable organic matter in the stack gas prematurely depletes the KMnO<sub>4</sub> solution and thereby prevents further collection of Hg.

3.2 *Analysis.* Condensation of water vapor on the optical cell windows causes a positive interference.

### 4. *Precision*

Based on eight paired-train tests, the within-laboratory standard deviation was estimated to be 4.8 µg Hg/ml in the concentration range of 50 to 130 µg Hg/m<sup>3</sup>.

### 5. *Apparatus*

5.1 *Sampling Train and Sample Recovery.* Same as Method 101, Sections 5.1 and 5.2, respectively, except for the following variations:

5.1.1 *Probe Liner.* Same as Method 101, Section 5.1.2, except that if a filter is used ahead of the impingers, the tester must use the probe heating system to minimize the condensation of gaseous Hg.

5.1.2 *Filter Holder (Optional).* Borosilicate glass with a rigid stainless-steel wire-screen filter support (do not use glass frit supports) and a silicone rubber or Teflon gasket, designed to provide a positive seal against leakage from outside or around the filter. The filter holder must be equipped with a filter heating system capable of maintaining a temperature around the filter holder of 120 ±14 °C (248 ±25 °F) during sampling to minimize both water and gaseous Hg condensation. The tester may use a filter in cases where the stream contains large quantities of particulate matter.

5.2 *Analysis.* The apparatus needed for analysis is the same as Method 101, Sections 5.3 and 5.4, except as follows:

5.2.1 *Volumetric Pipets.* Class A; 1-, 2-, 3-, 4-, 5-, 10-, and 20-ml.

5.2.2 *Graduated Cylinder.* 25-ml.

5.2.3 *Steam Bath.*

5.2.4 *Atomic Absorption Spectrophotometer or Equivalent.* Any atomic absorption unit with an open sample presentation area in which to mount the optical cell is suitable. Use those instrument settings recommended by the particular manufacturer. Instruments designed specifically for the measurement of mercury using the cold-vapor technique are commercially available and may be substituted for the atomic absorption spectrophotometer.

5.2.5 *Optical Cell.* Alternatively, a heat lamp mounted above the cell or a moisture trap installed upstream of the cell may be used.

5.2.6 *Aeration Cell.* Alternatively, aeration cells available with commercial cold vapor instrumentation may be used.

5.2.7 *Aeration Gas Cylinder.* Nitrogen, argon, or dry, Hg-free air, equipped with a single-stage regulator. Alternatively, aeration may be provided by a peristaltic metering pump. If a commercial cold vapor instrument is used, follow the manufacturer's recommendations.

### 6. *Reagents*

Use ACS reagent-grade chemicals or equivalent, unless otherwise specified.

6.1 *Sampling and Recovery.* The reagents used in sampling and recovery are as follows:

6.1.1 *Water.* Deionized distilled, meeting ASTM Specifications for Type I Reagent Water—ASTM Test Method D1193-77 (incorporated by reference—see §61.18). If high concentrations of organic matter are not expected to be present, the analyst may eliminate the KMnO<sub>4</sub> test for oxidizable organic matter. Use this water in all dilutions and solution preparations.

6.1.2 *Nitric Acid (HNO<sub>3</sub>), 50 Percent (V/V).* Mix equal volumes of concentrated HNO<sub>3</sub> and deionized distilled water, being careful to slowly add the acid to the water.

6.1.3 *Silica Gel.* Indicating type, 6- to 16-mesh. If previously used, dry at 175 °C (350 °F) for 2 hr. The tester may use new silica gel as received.

6.1.4 *Filter (Optional).* Glass fiber filter, without organic binder, exhibiting at least 99.95 percent efficiency on 0.3 µm dioctyl phthalate smoke particles. The tester may use the filter in cases where the gas stream contains large quantities of particulate matter, but he should analyze blank filters for Hg content.

6.1.5 *Sulfuric Acid (H<sub>2</sub>SO<sub>4</sub>), 10 Percent (V/V).* Carefully add and mix 100 ml of concentrated H<sub>2</sub>SO<sub>4</sub> to 800 ml of deionized distilled water. Then, by adding deionized distilled water, mix and bring to a final volume of 1000 ml.

6.1.6 *Absorbing Solution, 4 Percent KMnO<sub>4</sub> (W/V).* Prepare fresh daily. Dissolve 40 g of KMnO<sub>4</sub> in sufficient 10 percent H<sub>2</sub>SO<sub>4</sub>

to make 1 liter. Prepare and store in glass bottles to prevent degradation.

**Precaution:** To prevent autocatalytic decomposition of the permanganate solution, filter the solution through Whatman 541 filter paper. Also, due to the potential reaction of the potassium permanganate with the acid, there could be pressure buildup in the solution storage bottle; therefore these bottles shall not be fully filled and shall be vented to relieve excess pressure and prevent explosive potentials. Venting is required, but should not allow contamination of the solution; a No. 70-72 hole drilled in the container cap and Teflon liner has been used.

6.1.7 Hydrochloric Acid (HCL). Concentrated. Trace-metals grade is recommended. The Hg level shall be less than 3 ng/ml.

6.1.8 HCL, 8 N. Dilute 67 ml of concentrated HCL to 100 ml with water (slowly add the HCL to the water).

6.2 Analysis. The reagents needed for analysis are listed below:

6.2.1 Tin (II) Solution. Prepare fresh daily and keep sealed when not being used. Completely dissolve 20 g of tin (II) chloride [or 25 g of tin (II) sulfate] crystals (Baker Analyzed reagent grade or any other brand that will give a clear solution) in 25 ml of concentrated HCL. Dilute to 250 ml with deionized distilled water. Do not substitute  $\text{HNO}_3$ ,  $\text{H}_2\text{SO}_4$ , or other strong acids for the HCL.

6.2.2 Sodium Chloride-Hydroxylamine Solution. Dissolve 12 g of sodium chloride and 12 g of hydroxylamine sulfate (or 12 g of hydroxylamine hydrochloride) in deionized distilled water and dilute to 100 ml.

6.2.3 Hydrochloric Acid (HCL), 8 N. Dilute 67 ml of concentrated HCL to 100 ml with deionized distilled water (slowly add the HCL to the water).

6.2.4 Nitric Acid, 15 Percent (V/V). Dilute 15 ml of concentrated  $\text{HNO}_3$  to 100 ml with deionized distilled water.

6.2.5 Mercury Stock Solution, 1 mg Hg/ml. Prepare and store all mercury standard solutions in borosilicate glass containers. Completely dissolve 0.1354 g of mercury (II) chloride in 75 ml of deionized distilled water. Add 100 ml of concentrated  $\text{HNO}_3$ , and adjust the volume to exactly 100 ml with deionized distilled water. Mix thoroughly. This solution is stable for at least 1 month.

6.2.6 Intermediate Mercury Standard Solution, 10  $\mu\text{g}$  Hg/ml. Prepare fresh weekly. Pipet 5.0 ml of the mercury stock solution (Section 6.2.5) into a 500-ml volumetric flask and add 20 ml of 15 percent  $\text{HNO}_3$  solution. Adjust the volume to exactly 500 ml with deionized distilled water. Thoroughly mix the solution.

6.2.7 Working Mercury Standard Solution, 200 ng Hg/ml. Prepare fresh daily. Pipet 5.0 ml from the "Intermediate Mercury Standard Solution" (Section 6.2.6) into a 250-ml

volumetric flask. Add 5 ml of 4 percent  $\text{KMnO}_4$  absorbing solution and 5 ml of 15 percent  $\text{HNO}_3$ . Adjust the volume to exactly 250 ml with deionized distilled water. Mix thoroughly.

6.2.8 Potassium Permanganate, 5 Percent (W/V). Dissolve 5 g of  $\text{KMnO}_4$  in deionized distilled water and dilute to 100 ml.

6.2.9 Filter. Whatman No. 40 or equivalent.

### 7. Procedure

7.1 Sampling. The sampling procedure is the same as Method 101, except for changes due to the use of  $\text{KMnO}_4$  instead of ICl absorbing solution and the possible use of a filter. These changes are as follows:

7.1.1 Preliminary Determinations. The preliminary determinations are the same as those given in Method 101, section 7.1.2, except for the absorbing solution depletion sign. In this method, highly oxidizable matter could make it impossible to sample for the required minimum time. This problem is indicated by the complete bleaching of the purple color of the  $\text{KMnO}_4$  solution. In these cases, the tester may divide the sample run into two or more subruns to insure that the absorbing solution would not be depleted. In cases where an excess of water condensation is encountered, collect two runs to make one sample, or add an extra impinger in front of the first impinger (also containing acidified  $\text{KMnO}_4$  solution).

7.1.2 Preparation of Sampling Train. The preparation of the sampling train is the same as that given in Method 101, section 7.1.3, except for the cleaning of the glassware [probe, filter holder (if used), impingers, and connectors] and the charging of the first three impingers. In this method, clean all the glass components (a hood is recommended) by rinsing with 50 percent  $\text{HNO}_3$ , tap water, 8 N HCL, tap water, and finally deionized distilled water. Then place 50 ml of the acidified 4 percent  $\text{KMnO}_4$  absorbing solution in the first impinger and 100 ml in each of the second and third impingers.

If a filter is used, use a pair of tweezers to place the filter in the filter holder. Be sure to center the filter and place the gasket in proper position to prevent the sample gas stream from by-passing the filter. Check the filter for tears after assembly is completed. Be sure also to set the filter heating system at the desired operating temperature after the sampling train has been assembled.

7.1.3 Sampling Train Operation. In addition to the procedure given in Method 101, section 7.1.5, maintain a temperature around the filter (if applicable) of  $120^{\circ}\pm 14^{\circ}\text{C}$  ( $248^{\circ}\pm 25^{\circ}\text{F}$ ).

7.2 Sample Recovery. Begin proper clean-up procedure as soon as the probe is removed from the stack at the end of the sampling period. Allow the probe to cool. When it can be

safely handled, wipe off any external particulate matter near the tip of the probe nozzle and place a cap over it. Do not cap off the probe tip tightly while the sampling train is cooling because the resultant vacuum would draw liquid out from the impingers.

Before moving the sample train to the cleanup site, remove the probe from the train, wipe off the silicone grease, and cap the open outlet of the probe. Be careful not to lose any condensate that might be present. Wipe off the silicone grease from the impinger. Use either ground-glass stoppers, plastic caps, or serum caps to close these openings.

Transfer the probe, impinger assembly, and (if applicable) filter assembly to a cleanup area that is clean, protected from the wind, and free of Hg contamination. The ambient air in laboratories located in the immediate vicinity of Hg-using facilities is not normally free of Hg contamination.

Inspect the train before and during assembly, and note any abnormal conditions. Treat the sample as follows:

7.2.1 Container No. 1 (Impinger, Probe, and Filter Holder) and, if applicable, No. 1A (HCl rinse).

7.2.1.1 Using a graduated cylinder, measure the liquid in the first three impingers to within 1 ml. Record the volume of liquid present (e.g., see Figure 5-3 of Method 5 in 40 CFR Part 60). This information is required to calculate the moisture content of the effluent gas. (Use only graduated cylinder and glass storage bottles that have been precleaned as in Section 7.1.2.) Place the contents of the first three impingers into a 1000-ml glass sample bottle labeled Container No. 1. See the *Precaution* in Section 6.1.6.

NOTE NO. 1 TO SECTION 7.2.1.1: Due to the potential reaction of  $\text{KMnO}_4$  with acid, there could be pressure buildup in the sample storage bottles. These bottles shall not be filled completely and shall be vented to relieve excess pressure. A No. 70-72 hole drilled in the container cap and Teflon liner has been used successfully).

NOTE NO. 2 TO SECTION 7.2.1.1: If a filter is used in the sampling train, remove the filter from its holder as outlined under "Container No. 3" below.)

7.2.1.2 Taking care that dust on the outside of the probe or other exterior surfaces does not get into the sample, quantitatively recover the Hg (and any condensate) from the probe nozzle, probe fitting, probe liner, front half of the filter holder (if applicable), and impingers as follows: Rinse these components with a total of 250 to 400 ml of fresh acidified 4 percent  $\text{KMnO}_4$  solution carefully assuring removal of all loose particulate matter from the impingers; add all washings to Container No. 1. See the *Precaution* in Section 6.1.6 and see the *Note No. 1* in Section 7.2.1.1. To remove any residual brown depos-

its on the glassware following the permanganate rinse, rinse with approximately 100 ml of water carefully assuring removal of all loose particulate matter from the impingers, and add this rinse to Container No. 1. If no visible deposits remain after this water rinse, do not rinse with 8 N HCl. However, if deposits do remain on the glassware after the water rinse, wash the impinger walls and stems with a total of only 25 ml of 8 N HCl as follows; turn and shake the impingers so that the 8 N HCl contacts all inside surfaces (wash the first impinger, then pour the wash from the first impinger into the second impinger, and finally pour the wash from the second into the third). DO NOT PLACE THE HCl WASH INTO THE ACIDIFIED PERMANGANATE SOLUTION. Place the HCl wash into a separate container labeled Container No. 1A as follows: place 150 ml of water in an empty sample container labeled Container No. 1A. Pour the HCl wash carefully, with stirring, into Container No. 1A. Rinse the impinger walls and stem with a total of 50 ml of water, and place this rinse into Container No. 1A.

7.2.1.3 After all washings have been collected in the sample containers, prepare as described above to prevent leakage during shipment to the laboratory. Mark the height of the fluid level to determine whether leakage occurs during transport. Label the containers to identify their contents clearly.

7.2.2. Container No. 2 (Silica Gel). Note the color of the indicating silica gel to determine whether it has been completely spent and make a notation of its condition. Transfer the silica gel from its impinger to its original container and seal. The tester may use as aids a funnel to pour the silica gel and a rubber policeman to remove the silica gel from the impinger. It is not necessary to remove the small amount of particles that may adhere to the impinger wall and are difficult to remove. Since the gain in weight is to be used for moisture calculations, do not use any water or other liquids to transfer the silica gel. If a balance is available in the field, weigh the spent silica gel (or silica gel plus impinger) to the nearest 0.5 g; record this weight.

7.2.3 Container No. 3 (Filter). If a filter was used, carefully remove it from the filter holder, place it into a 100 ml glass sample container, and add 20 to 40 ml of acidified  $\text{KMnO}_4$ . If it is necessary to fold the filter, be sure that the particulate cake is inside the fold. Carefully transfer to the 100 ml sample bottle any particulate matter and filter fibers that might adhere to the filter holder gasket by using a dry Nylon bristle brush and a sharp edged blade. See the *Precaution* in Section 6.1.6 and see the *Note No. 1* in Section 7.2.1.1. Label the container to clearly identify its contents. Mark the height of the fluid level to determine whether leakage occurs during transport.

7.2.4 Container No. 4 (Filter Blank). If a filter was used, treat an unused filter from the same filter lot used for sampling in the same manner as Container No. 3.

7.2.5 Container No. 5 (Absorbing Solution Blank). For a blank, place 500 ml of acidified absorbing solution in a 1000 ml sample bottle. See the *Precaution* in Section 6.1.6 and see the *Note No. 1* in Section 7.2.1.1.

7.2.6 Container No. 6 (HCl rinse blank). For a blank, place 200 ml of water in a 1000-ml sample bottle, and add 25 ml of 8 N HCl carefully with stirring. Seal the container. Only one blank sample per 3 runs is required.

7.3 Sample preparation. Check liquid level in each container to see if liquid was lost during transport. If a noticeable amount of leakage occurred, either void the sample or use methods subject to the approval of the Administrator to account for the losses. Then follow the procedures below.

7.3.1 Containers No. 3 and No. 4 (Filter and Filter Blank). If a filter is used, place the contents, including the filter, of Containers No. 3 and 4 in separate 250-ml beakers, and heat the beakers on a steam bath until most of the liquid has evaporated. Do not take to dryness. Add 20 ml of concentrated HNO<sub>3</sub> to the beakers, cover them with a watch glass, and heat on a hot plate at 70 °C for 2 hours. Remove from the hot plate. Filter the solution from digestion of the Container No. 3 contents through Whatman No. 40 filter paper, and save the filtrate for addition to the Container No. 1 filtrate as described in Section 7.3.2. Discard the filter. Filter the solution from the digestion of the Container No. 4 contents through Whatman No. 40 filter paper, and save the filtrate for addition to Container No. 5 filtrate as described in Section 7.3.3. Discard the filter.

7.3.2 Container No. 1 (Impingers, Probe, and Filter Holder) and, if applicable, No. 1A (HCl rinse). Filter the contents of Container No. 1 through Whatman 40 filter paper into a 1-liter volumetric flask to remove the brown MnO<sub>2</sub> precipitate. Save the filter for digestion of the brown MnO<sub>2</sub> precipitate. Add the sample filtrate from Container No. 3 to the 1-liter volumetric flask, and dilute to volume with water. If the combined filtrates are greater than 1000 ml, determine the volume to the nearest ml and make the appropriate corrections for blank subtractions. Mix thoroughly. Mark the combined filtrates as ANALYSIS SAMPLE No. A.1. and analyze for Hg within 48 hr of the filtration step (NOTE: Do not confuse ANALYSIS SAMPLE No. A.1. with the contents of field Sample Container No. 1A which contains the 8 N HCl wash). Place the saved filter, which was used to remove the brown MnO<sub>2</sub> precipitate, into an appropriate sized *vented* container, which will allow release of any gases including chlorine formed when the filter is digested. In a laboratory hood which will remove any

gas produced by the digestion of the MnO<sub>2</sub>, add 25 ml of 8 N HCl to the filter and allow to digest for a minimum of 24 hours at room temperature. Filter the contents of Container 1A through Whatman 40 paper into a 500-ml volumetric flask. Then filter the result of the digestion of the brown MnO<sub>2</sub> from Container No. 1 through Whatman 40 filter into the same 500-ml volumetric flask, and dilute and mix well to volume with water. Discard the filter. Mark this combined 500-ml dilute solution as ANALYSIS SAMPLE No. HCL A.2., and analyze for Hg.

7.3.3 Container No. 5 (Absorbing Solution Blank) and No. 6 (HCl Rinse Blank). Prepare the contents of Container No. 5 for analysis by the same procedure used for Container No. 1 as described in Section 7.3.2. Add the filter blank filtrate from Container No. 4 to the 1-liter volumetric flask, and dilute to volume. Mix thoroughly. Mark this as ANALYSIS SAMPLE No. A.1. BLANK, and analyze for Hg within 48 hours of the filtration step. Digest any brown precipitate remaining on the filter from the filtration of Container No. 5 by the same procedure as described in Section 7.3.2. Filter the contents of Container No. 6 by the same procedure as described in Section 7.3.2, and combine in the 500-ml volumetric flask with the filtrate from the digested blank MnO<sub>2</sub> precipitate. Mark this resultant 500-ml combined dilute solution as ANALYSIS SAMPLE No. HCL A.2 blank. (NOTE: When analyzing samples A.1 blank and HCL A.2 blank, always begin with 10-ml aliquots. This applies specifically to blank samples.)

7.4 Analysis. Calibrate the spectrophotometer and recorder and prepare the calibration curve as described in sections 8.1 and 8.2. Then repeat the procedure used to establish the calibration curve with appropriately sized aliquots (1 to 10 ml) of the samples (from sections 7.3.2 and 7.3.3) until two consecutive peak heights agree within  $\pm 3$  percent of their average value. If the 10-ml sample is below the detectable limit, use a larger aliquot (up to 20 ml), but decrease the volume of water added to the aeration cell accordingly to prevent the solution volume from exceeding the capacity of the aeration bottle. If the peak maximum of a 1.0-ml aliquot is off scale, further dilute the original sample to bring the Hg concentration into the calibration range of the spectrophotometer. If the Hg content of the absorbing solution and filter blank is below the working range of the analytical method, use zero for the blank.

Run a blank and standard at least after every five samples to check the spectrophotometer calibration; recalibrate as necessary.

It is also recommended that at least one sample from each stack test be checked by the Method of Standard Additions to confirm



that matrix effects have not interfered in the analysis.

#### 8. Calibration and Standards

The calibration and standards are the same as Method 101, Section 8, except for the following variations:

8.1 Optical Cell Heating System Calibration. Same as Method 101, Section 8.2, except use a 25-ml graduated cylinder to add 25 ml of deionized distilled water to the bottle section of the aeration cell.

8.2 Spectrophotometer and Recorder Calibration. The mercury response may be measured by either peak height or peak area. (NOTE: The temperature of the solution affects the rate at which elemental Hg is released from a solution and, consequently, it affects the shape of the absorption curve (area) and the point of maximum absorbance (peak height). To obtain reproducible results, all solutions must be brought to room temperature before use.) Set the spectrophotometer wave length at 253.7 nm and make certain the optical cell is at the minimum temperature that will prevent water condensation.

Then set the recorder scale as follows: Using a 25-ml graduated cylinder, add 25 ml of deionized distilled water to the aeration cell bottle and pipet 5.0 ml of the working mercury standard solution into the aeration cell. (NOTE: Always add the Hg-containing solution to the aeration cell after the 25 ml of deionized distilled water.) Place a Teflon-coated stirring bar in the bottle. Add 5 ml of the 4 percent  $\text{KMnO}_4$  absorbing solution followed by 5 ml of 15 percent  $\text{HNO}_3$  and 5 ml of

5 percent  $\text{KMnO}_4$  to the aeration bottle and mix well. Now, attach the bottle section to the bubbler section of the aeration cell and make certain that (1) the aeration cell exit arm stopcock (Figure 101-3 of Method 101) is closed (so that Hg will not prematurely enter the optical cell when the reducing agent is being added) and (2) there is no flow through the bubbler. Add 5 ml of sodium chloride hydroxylamine in 1-ml increments until the solution is colorless. Now add 5 ml of tin (II) solution to the aeration bottle through the side arm, and immediately stopper the side arm. Stir the solution for 15 seconds, turn on the recorder, open the aeration cell exit arm stopcock, and immediately initiate aeration with continued stirring. Determine the maximum absorbance of the standard and set this value to read 90 percent of the recorder full scale.

#### 9. Calculations

9.1 Dry Gas Volume, Volume of Water Vapor and Moisture Content, Stack Gas Velocity, Isokinetic Variation and Acceptable Results, and Determination of Compliance. Same as Method 101, sections 9.1, 9.2, 9.3, 9.6, and 9.7, respectively, except use data obtained from this test.

9.2 Total Mercury. For each source sample, correct the average maximum absorbance of the two consecutive samples whose peak heights agree within 3 percent of their average for the contribution of the blank. Then calculate the total Hg content in  $\mu\text{g}$  in each sample. Correct for any dilutions made to bring the sample into the working range of the spectrophotometer.

$$m_{(\text{HCl})\text{Hg}} = \left[ \frac{C_{(\text{HCl})\text{Hg}} \text{ D.F.}_{(\text{HCl})\text{Hg}}}{S} - \frac{C_{(\text{HCl} \text{ blk})\text{Hg}} \text{ D.F.}_{(\text{HCl} \text{ blk})\text{Hg}}}{S_{\text{blk}}} \right] V_{f(\text{HCl})} (10^{-3}) \quad \text{Eq. 101A-1}$$

where:

$m_{(\text{HCl})\text{Hg}}$  = Total blank corrected  $\mu\text{g}$  of Hg in HCl rinse and HCl digestate of filter sample

$C_{(\text{HCl})\text{Hg}}$  = Total ng of Hg analyzed in the aliquot from the 500-ml ANALYSIS SAMPLE No. HCl A.2.

$C_{(\text{HCl} \text{ blk})\text{Hg}}$  = Total ng of Hg analyzed in aliquot of the 500-ml ANALYSIS SAMPLE No. HCl A.2 blank.

$\text{D.F.}_{(\text{HCl})\text{Hg}}$  = Dilution factor for the HCl-digested Hg-containing solution, ANALYSIS SAMPLE No. "HCl A.2." This dilution factor applies only to the dilution steps, if necessary, of the 500 ml of the original sample volume [ $V_{f(\text{HCl})}$ ] of "HCl A.2" because the original volume has been factored out in the equation along

with the sample aliquot (S). In Eq. 101A-1, the sample aliquot, S, is digested according to Sections 7.4, 8.1, and 8.2 and the Hg from this digestion is introduced directly into the aeration cell for analysis. A dilution factor is required only if it is necessary to bring the sample into the analytical instrument's calibration range. If no dilution is necessary, then  $\text{D.F.}_{(\text{HCl})\text{Hg}}$  equals 1.0.

$\text{D.F.}_{(\text{HCl} \text{ blk})\text{Hg}}$  = Dilution factor for the HCl-digested Hg-containing solution, ANALYSIS SAMPLE No. "HCl A.2 blank." (Refer to sample No. "HCl A.2" dilution factor information above.)

$V_{f(\text{HCl})}$  = Solution volume of original sample, 500 ml for the HCl samples diluted as described in Section 7.3.

$10^{-3}$ =Conversion factor  $\mu\text{g}/\text{ng}$ .

$S$ =Aliquot volume of sample: digested according to Sections 7.4, 8.1, 8.2 and the Hg from this digestion is introduced directly into the aeration cell for analysis, ml.

$S_{\text{blk}}$ =Aliquot volume of blank: digested according to Sections 7.4, 8.1, and 8.2 and the Hg from this digestion is introduced directly into the aeration cell for analysis, ml.

$$m_{(\text{fltr})\text{Hg}} = \left[ \frac{C_{(\text{fltr})\text{Hg}} \text{ D.F.}_{(\text{fltr})\text{Hg}} V_{\text{f}(\text{fltr})}}{S_{(\text{fltr})}} - \frac{C_{(\text{fltr blk})\text{Hg}} \text{ D.F.}_{(\text{fltr blk})\text{Hg}} V_{\text{f}(\text{fltr blk})}}{S_{(\text{fltr blk})}} \right] (10^{-3}) \quad \text{Eq. 101A-2}$$

where:

$m_{(\text{fltr})\text{Hg}}$ =Total blank corrected  $\mu\text{g}$  of Hg in  $\text{KMnO}_4$  filtrate and  $\text{HNO}_3$  digestion of filter sample.

$C_{(\text{fltr})\text{Hg}}$ =Total ng of Hg in aliquot of  $\text{KMnO}_4$  filtrate and  $\text{HNO}_3$  digestion of filter analyzed (aliquot of ANALYSIS SAMPLE No. A.1).

$C_{(\text{fltr blk})\text{Hg}}$ =Total ng of Hg analyzed in aliquot of  $\text{KMnO}_4$  blank and  $\text{HNO}_3$  digestion of blank filter (aliquot of ANALYSIS SAMPLE No. A.1 blank).

$V_{\text{f}(\text{fltr})}$ =Solution volume of original sample, normally 100 ml for samples diluted as described in Section 7.3.

$V_{\text{f}(\text{blk})}$ =Solution volume of blank sample, 1000 ml for samples diluted as described in Section 7.3.

$\text{D.F.}_{(\text{fltr})\text{Hg}}$ =Dilution factors, if necessary for ANALYSIS SAMPLE No. A.1, calculated similarly to those above for the (HCl) Hg samples.

$\text{D.F.}_{(\text{fltr blk})\text{Hg}}$ =Dilution factors, if necessary for ANALYSIS SAMPLE No. A.1 blank, calculated similarly to those above for the (HCl blk)Hg samples.

9.2.2 The maximum allowable blank subtraction for the HCl is the lesser of the two following values: (1) the actual blank measured value (ANALYSIS SAMPLE No. "A.1 blank"), or (2) 5% of the Hg content in the filtrate (ANALYSIS SAMPLE No. "A.1").

$$m_{\text{Hg}} = m_{(\text{HCl})\text{Hg}} - m_{(\text{fltr})\text{Hg}} \quad \text{Eq. 101A-3}$$

where:

$m_{\text{Hg}}$ =Total blank corrected Hg content in each sample,  $\mu\text{g}$ .

$m_{(\text{HCl})\text{Hg}}$ =Total blank corrected  $\mu\text{g}$  of Hg in HCl rinse and HCl digestate of filter sample.

$M_{(\text{fltr})\text{Hg}}$ =Total blank corrected  $\mu\text{g}$  of Hg in  $\text{KMnO}_4$  filtrate and  $\text{HNO}_3$  digestion of filter sample.

9.3 Mercury Emission Rate. Calculate the Hg emission rate  $R$  in g/day for continuous operations using Equation 101A-1. For cyclic operations, use only the time per day each

9.2.1 The maximum allowable blank subtraction for the Hg in the HCl washes is the lesser of the two following values: (1) the actual blank measured value (ANALYSIS SAMPLE NO. HCl A.2 blank), or (2) 5% of the Hg content in the combined HCl rinse and digested sample (ANALYSIS SAMPLE No. HCl A.2).

stack is in operation. The total Hg emission rate from a source will be the summation of results from all stacks.

$$R = K \frac{m_{\text{Hg}} V_s A_s (86,400 \times 10^{-6})}{[V_{\text{m}(\text{std})} + V_{\text{w}(\text{std})}] (T_s/P_s)} \quad \text{Eq. 101A-1}$$

Where:

$m_{\text{Hg}}$  = Total Hg content in each sample,  $\mu\text{g}$ .

$v_s$  = Average stack gas velocity, m/sec (fps).

$A_s$  = Stack cross-sectional area,  $\text{m}^2(\text{ft}^2)$ .

86,400 = Conversion factor, sec/day.

$10^{-6}$  = Conversion factor, g/ $\mu\text{g}$ .

$V_{\text{m}(\text{std})}$  = Dry gas sample volume at standard conditions, corrected for leakage (if any),  $\text{m}^3(\text{ft}^3)$ .

$V_{\text{w}(\text{std})}$  = Volume of water vapor at standard conditions,  $\text{m}^3(\text{ft}^3)$ .

$T_s$  = Absolute average stack gas temperature,  $^{\circ}\text{K} (^{\circ}\text{R})$ .

$P_s$  = Absolute stack gas pressure, mm Hg (in. Hg).

$K = 0.3858$   $^{\circ}\text{K}/\text{mm Hg}$  for metric units.

$= 17.64$   $^{\circ}\text{R}/\text{in. Hg}$  for English units.

## 10. Bibliography

1. Same as Method 101, Section 10.
2. Mitchell, W. J., M. R. Midgett, J. C. Suggs, and D. Albrinck. Test Methods to Determine the Mercury Emissions from Sludge Incineration Plants. U.S. Environmental Protection Agency, Research Triangle Park, North Carolina. Publication No. EPA-600/4-79-058. September 1979.
3. Wilshire, Frank W., J.E. Knoll, T.E. Ward, and M.R. Midgett. Reliability Study of the U.S. EPA's Method 101A—Determination of Particulate and Gaseous Mercury Emissions U.S. Environmental Protection Agency, Research Triangle Park, NC. Report No. 600/D-31/219 AREAL 367, NTIS Acc No. PB91-23361.

METHOD 102—DETERMINATION OF PARTICULATE AND GASEOUS MERCURY EMISSIONS FROM CHLOR-ALKALI PLANTS—HYDROGEN STREAMS

1. Introduction

Although similar to Method 101, Method 102 requires changes to accommodate the sample being extracted from a hydrogen stream. Conduct the test according to Method 101, except as shown below:

2. Mercury Train Operation

2.1 Probe Heating System. Do not use, unless otherwise specified.

2.2 Glass Fiber Filter. Do not use, unless otherwise specified.

2.3 Safety Procedures. The sampler must conduct the source test under conditions of utmost safety, because hydrogen and air mixtures are explosive. Since the sampling train essentially is leakless, attention to safe operation can be concentrated at the inlet and outlet. If a leak does occur, however, remove the meter box cover to avoid a possible explosive mixture. The following specific precautions are recommended:

2.3.1 Operate only the vacuum pump during the test. The other electrical equipment, e.g., heaters, fans, and timers, normally are not essential to the success of a hydrogen stream test.

2.3.2 Seal the sample port to minimize leakage of hydrogen from the stack.

2.3.3 Vent sampled hydrogen at least 3 m (10 feet) away from the train. This can be accomplished by attaching a 13-mm-ID (0.50-in.) Tygon tube to the exhaust from the orifice meter. (NOTE: A smaller ID tubing may cause the orifice meter calibration to be erroneous.) Take care to ensure that the exhaust line is not bent or pinched.

2.4 Setting of Isokinetic Rates.

2.4.1 If a nomograph is used, take special care in the calculation of the molecular weight of the stack gas and in the setting of the nomograph to maintain isokinetic conditions during sampling (sections 2.4.1.1 through 2.4.1.3 below).

2.4.1.1 Calibrate the meter box orifice. Use the techniques described in APTD-0576 (see Citation 9 in section 10 of Method 101). Calibration of the orifice meter at flow conditions that simulate the conditions at the source is suggested. Calibration should either be done with hydrogen or with some other gas having a similar Reynolds Number so that there is similarity between the Reynolds Numbers during calibration and during sampling.

2.4.1.2 The nomograph described in APTD-0576 cannot be used to calculate the C factor because the nomograph is designed for use when the stack gas dry molecular weight is  $29 \pm 4$ . Instead, the following calculation should be made to determine the proper C factor:

$$C = 0.00154 \Delta H_{@} C_p^2 T_m (P_s/P_m) \frac{(1 - B_{ws})^2}{(1 - B_{ws}) + 18 B_{ws}/M_d}$$

Where:

$\Delta H_{@}$ =Meter box calibration factor obtained in Section 2.4.1.1, in. H<sub>2</sub>O.

$C_p$ =Pitot tube calibration coefficient, dimensionless.

$T_m$ =Absolute temperature of gas at the orifice, °R.

$P_s$ =Absolute pressure of stack gas, in. Hg.

$P_m$ =Absolute pressure of gas at the meter, in. Hg.

$B_{ws}$ =Fraction by volume of water vapor in the stack gas.

$M_d$ =Dry molecular weight of stack gas, lb/lb-mole.

0.00154=(in. H<sub>2</sub>O) (° R)

NOTE. This calculation is left in English units, and is not converted to metric units because nomographs are based on English units.

2.4.1.3 Set the calculated C factor on the operating nomograph and select the proper nozzle diameter and K factor as specified in APTD-0576. If the C factor obtained in Section 2.4.1.2 exceeds the values specified on

the existing operating nomograph, expand the C scale logarithmically so that the values can be properly located.

2.4.2 If a calculator is used to set isokinetic rates, it is suggested that the isokinetic equation presented in Citation 17 in the Bibliography of Method 101 be used.

2.5 Sampling in Small (<12-in.-Diameter) Stacks. When the stack diameter (or equivalent diameter) is less than 12 inches, conventional pitot tube-probe assemblies should not be used. For sampling guidelines, see Citation 18 in the Bibliography of Method 101.

METHOD 103—BERYLLIUM SCREENING METHOD

1. Applicability and Principle

1.1 Applicability. This procedure details guidelines and requirements for methods acceptable for use in determining beryllium (Be) emissions in ducts or stacks at stationary sources.

1.2 Principle. Be emissions are isokinetically sampled from three points in a duct or

stack. The collected sample is analyzed for Be using an appropriate technique.

## 2. Apparatus

2.1 Sampling Train. A schematic of the required sampling train configuration is shown in Figure 103-1. The essential components of the train are the following:

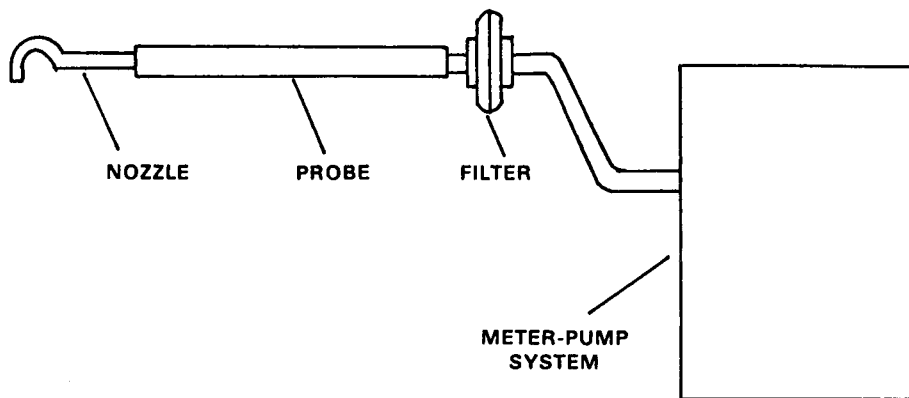


Figure 103-1. Beryllium screening method; sample train schematic.

2.1.1 Nozzle. Stainless steel, or equivalent, with sharp, tapered leading edge.

2.1.2 Probe. Sheathed borosilicate or quartz glass tubing.

2.1.3 Filter. Millipore AA (*Note:* Mention of trade names or specific products does not constitute endorsement by the Environmental Protection Agency), or equivalent, with appropriate filter holder that provides a positive seal against leakage from outside or around the filter. It is suggested that a Whatman 41, or equivalent, be placed immediately against the back side of the Millipore filter as a guard against breakage of the Millipore. Include the backup filter in the analysis. To be equivalent, other filters shall exhibit at least 99.95 percent efficiency (0.05 percent penetration) on 0.3 micron dioctyl phthalate smoke particles, and be amenable to the Be analysis procedure. The filter efficiency tests shall be conducted in accordance with American Society for Testing and Materials (ASTM) Standard Method D 2986-71 (reapproved 1978) (incorporated by reference—see §61.18). Test data from the supplier's quality control program are sufficient for this purpose.

2.1.4 Meter-Pump System. Any system that will maintain isokinetic sampling rate, determine sample volume, and is capable of a sampling rate of greater than 14 lpm (0.5 cfm).

2.2 Measurement of Stack Conditions. The following equipment is used to measure stack conditions:

2.2.1 Pitot Tube. Type S, or equivalent, with a coefficient within 5 percent over the working range.

2.2.2 Inclined Manometer, or Equivalent. To measure velocity head to within 10 percent of the minimum value.

2.2.3 Temperature Measuring Device. To measure stack temperature to within 1.5 percent of the minimum absolute stack temperature.

2.2.4 Pressure Measuring Device. To measure stack pressure to within 2.5 mm Hg (0.1 in. Hg).

2.2.5 Barometer. To measure atmospheric pressure to within 2.5 mm Hg (0.1 in. Hg).

2.2.6 Wet and Dry Bulb Thermometers, Drying Tubes, Condensers, or Equivalent. To determine stack gas moisture content to within 1 percent.

## 2.3 Sample Recovery.

2.3.1 Probe Cleaning Equipment. Probe brush or cleaning rod at least as long as probe, or equivalent. Clean cotton balls, or equivalent, should be used with the rod.

2.3.2 Leakless Glass Sample Bottles. To contain sample.

2.4 Analysis. Use equipment necessary to perform an atomic absorption, spectrographic, fluorometric, chromatographic, or equivalent analysis.

## 3. Reagents

### 3.1 Sample Recovery.

3.1.1 Water. Distilled water.

3.1.2 Acetone. Reagent grade.

3.1.3 Wash Acid, 50 Percent (V/V) Hydrochloric Acid (HCl).

Mix equal volumes of concentrated HCl and water, being careful to add the acid slowly to the water.

3.2 Analysis. Reagents as necessary for the selected analytical procedure.

#### 4. Procedure

Guidelines for source testing are detailed in the following sections. These guidelines are generally applicable; however, most sample sites differ to some degree and temporary alterations such as stack extensions or expansions often are required to insure the best possible sample site. Further, since Be is hazardous, care should be taken to minimize exposure. Finally, since the total quantity of Be to be collected is quite small, the test must be carefully conducted to prevent contamination or loss of sample.

4.1 Selection of a Sampling Site and Number of Sample Runs. Select a suitable sample site that is as close as practicable to the point of atmospheric emission. If possible, stacks smaller than 1 foot in diameter should not be sampled.

4.1.1 Ideal Sampling Site. The ideal sampling site is at least eight stack or duct diameters downstream and two diameters upstream from any flow disturbance such as a bend, expansion or contraction. For rectangular cross sections, use Equation 103-1 to determine an equivalent diameter,  $D_e$ .

$$D_e = \frac{2LW}{L+W} \quad \text{Eq. 103-1}$$

Where:

L=length

W=width

4.1.2 Alternate Sampling Site. Some sampling situations may render the above sampling site criteria impractical. In such cases, select an alternate site no less than two diameters downstream and one-half diameter upstream from any point of flow disturbance. Additional sample runs are recommended at any sample site not meeting the criteria of section 4.1.1.

4.1.3 Number of Sample Runs Per Test. Three sample runs constitute a test. Conduct each run at one of three different points. Select three points that proportionately divide the diameter, or are located at 25, 50, and 75 percent of the diameter from the inside wall. For horizontal ducts, sample on a vertical line through the centroid. For rectangular ducts, sample on a line through the centroid and parallel to a side. If additional sample runs are performed per section 4.1.2, proportionately divide the duct to accommodate the total number of runs.

4.2 Measurement of Stack Conditions. Using the equipment described in section 2.2, measure the stack gas pressure, moisture, and temperature to determine the molecular weight of the stack gas. Sound engineering estimates may be made in lieu of direct

measurements. Describe the basis for such estimates in the test report.

4.3 Preparation of Sampling Train. Assemble the sampling train as shown in Figure 103-1. It is recommended that all glassware be precleaned by soaking in wash acid for 2 hours.

Leak check the sampling train at the sampling site. The leakage rate should not be in excess of 1 percent of the desired sample rate.

4.4 Beryllium Train Operation. For each run, measure the velocity at the selected sampling point. Determine the isokinetic sampling rate. Record the velocity head and the required sampling rate. Place the nozzle at the sampling point with the tip pointing directly into the gas stream. Immediately start the pump and adjust the flow to isokinetic conditions. At the conclusion of the test, record the sampling rate. Again measure the velocity head at the sampling point. The required isokinetic rate at the end of the period should not have deviated more than 20 percent from that originally calculated. Describe the reason for any deviation beyond 20 percent in the test report.

Sample at a minimum rate of 14 lpm (0.5 cfm). Obtain samples over such a period or periods of time as are necessary to determine the maximum emissions which would occur in a 24-hour period. In the case of cyclic operations, perform sufficient sample runs so as to allow determination or calculation of the emissions that occur over the duration of the cycle. A minimum sampling time of 2 hours per run is recommended.

4.5 Sample Recovery. It is recommended that all glassware be precleaned as in section 4.3. Sample recovery should also be performed in an area free of possible Be contamination. When the sampling train is moved, exercise care to prevent breakage and contamination. Set aside a portion of the acetone used in the sample recovery as a blank for analysis. The total amount of acetone used should be measured for accurate blank correction. Blanks can be eliminated if prior analysis shows negligible amounts.

Remove the filter (and backup filter, if used) and any loose particulate matter from filter holder, and place in a container.

Clean the probe with acetone and a brush or long rod and cotton balls. Wash into the container with the filter. Wash out the filter holder with acetone, and add to the same container.

4.6 Analysis. Make the necessary preparation of samples and analyze for Be. Any currently acceptable method such as atomic absorption, spectrographic, fluorometric, chromatographic, or equivalent may be used.

#### 5. Calibration and Standards

5.1 Sampling Train. As a procedural check, compare the sampling rate regulation with a dry gas meter, spirometer, rotameter

(calibrated for prevailing atmospheric conditions), or equivalent, attached to the nozzle inlet of the complete sampling train.

5.2 Analysis. Perform the analysis standardization as suggested by the manufacturer of the instrument, or the procedures for the analytical method in use.

#### 6. Calculations

Calculate the Be emission rate R in g/day for each stack using Equation 103-2. For cyclic operations, use only the time per day each stack is in operation. The total Be emission rate from a source is the summation of results from all stacks.

$$R = \frac{W_t v_s(\text{avg}) A_s (86,400 \times 10^{-6})}{V_{\text{total}}} \quad \text{Eq. 103-2}$$

Where:

$W_t$  = Total weight of Be collected,  $\mu$  g.

$v_s(\text{avg})$  = Average stack gas velocity, m/sec (ft/sec).

$A_s(\text{avg})$  = Stack area,  $\text{m}^2(\text{ft}^2)$ .

86,400 = Conversion factor, sec/day.

$10^{-6}$  = Conversion factor,  $\text{g}/\mu$  g.

$V_{\text{total}}$  = Total volume of gas sampled,  $\text{m}^3(\text{ft}^3)$ .

#### 7. Test Report

Prepare a test report that includes as a minimum: A detailed description of the sampling train used, results of the procedural check described in Section 5.1 with all data and calculations made, all pertinent data taken during the test, the basis for any estimates made, isokinetic sampling calculations, and emission results. Include a description of the test site, with a block diagram and brief description of the process, location of the sample points in the stack cross section, and stack dimensions and distances from any point of disturbance.

[38 FR 8826, Apr. 6, 1973, as amended at 50 FR 46295, Nov. 7, 1985]

#### METHOD 104—DETERMINATION OF BERYLLIUM EMISSIONS FROM STATIONARY SOURCES

##### 1. Applicability and Principle

1.1 Applicability. This method is applicable for the determination of beryllium (Be) emissions in ducts or stacks at stationary sources. Unless otherwise specified, this method is not intended to apply to gas streams other than those emitted directly to the atmosphere without further processing.

1.2 Principle. Be emissions are isokinetically sampled from the source, and the collected sample is digested in an acid solution and analyzed by atomic absorption spectrophotometry.

##### 2. Apparatus

2.1 Sampling Train. The sampling train is identical to the Method 5 train as shown in Figure 5-1 (mention of Method 5 refers to 40

CFR part 60). The sampling train consists of the following components:

2.1.1 Probe Nozzle, Pitot Tube, Differential Pressure Gauge, Metering System, Barometer, and Gas Density Determination Equipment. Same as Method 5, Sections 2.1.1, 2.1.3, 2.1.4, 2.1.8, 2.1.9, and 2.1.10, respectively.

2.1.2 Probe Liner. Borosilicate or quartz glass tubing. The tester may use a heating system capable of maintaining a gas temperature of  $120 \pm 14$  °C ( $248 \pm 25$  °F) at the probe exit during sampling to prevent water condensation. *Note:* Do not use metal probe liners.

2.1.3 Filter Holder. Borosilicate glass, with a glass frit filter support and a silicone rubber gasket. Other materials of construction (e.g., stainless steel, Teflon, Viton) may be used, subject to the approval of the Administrator. (*Note:* Mention of trade names of specific products does not constitute endorsement by the Environmental Protection Agency.) The holder design shall provide a positive seal against leakage from the outside or around the filter. The holder shall be attached immediately at the outlet of the probe. A heating system capable of maintaining the filter at a minimum temperature in the range of the stack temperature may be used to prevent condensation from occurring.

2.1.4 Impingers. Four Greenburg-Smith impingers connected in series with leak-free ground glass fittings or any similar leak-free noncontaminating fittings. For the first, third, and fourth impingers, the tester may use impingers that are modified by replacing the tip with a 13-mm-ID (0.5-in.) glass tube extending to 13 mm (0.5 in.) from the bottom of the flask.

2.2 Sample Recovery. The following items are needed:

2.2.1 Probe Cleaning Rod. At least as long as probe.

2.2.2 Glass Sample Bottles. Leakless, with Teflon-lined caps, 500-ml.

2.2.3 Graduated Cylinder. 250-ml.

2.2.4 Funnel and Rubber Policeman. To aid in transfer of silica gel to container; not necessary if silica gel is weighed in the field.

2.2.5 Funnel. Glass, to aid in sample recovery.

2.2.6 Plastic Jar. Approximately 300-ml.

2.3 Analysis. The following equipment is needed:

2.3.1 Atomic Absorption Spectrophotometer. Perkin-Elmer 303, or equivalent, with nitrous oxide/acetylene burner.

2.3.2 Hot Plate.

2.3.3 Perchloric Acid Fume Hood.

##### 3. Reagents

Use ACS reagent-grade chemicals or equivalent, unless otherwise specified.

3.1 Sampling and Recovery. The reagents used in sampling and recovery are as follows:

3.1.1 Filter. Millipore AA, or equivalent. It is suggested that a Whatman 41 filter or equivalent be placed immediately against the back side of the Millipore filter as a guard against breaking the Millipore filter. To be equivalent, other filters shall exhibit at least 99.95 percent efficiency (0.05 percent penetration) on 0.3 micron dioctyl phthalate smoke particles. The filter efficiency tests shall be conducted in accordance with ASTM Standard Method D 2986-71 (reapproved 1978) (incorporated by reference—see §61.18). Test data from the supplier's quality control program are sufficient for this purpose.

3.1.2 Water. Deionized distilled, meeting ASTM Specifications for Type 3 Reagent Water—ASTM Test Method D 1193-77 (incorporated by reference—see §61.18). If high concentrations of organic matter are not expected to be present, the analyst may eliminate the  $\text{KMnO}_4$  test for oxidizable organic matter.

3.1.3 Silica Gel. Indicating type, 6- to 16-mesh. If previously used, dry at  $175^\circ\text{C}$  ( $350^\circ\text{F}$ ) for 2 hours. The tester may use new silica gel as received.

3.1.4 Acetone.

3.1.5 Wash Acid, 50 Percent (V/V) Hydrochloric Acid (HCl).

Mix equal volumes of concentrated HCl and water, being careful to add the acid slowly to the water.

3.2 Sample Preparation and Analysis. The reagents needed are listed below:

3.2.1 Water. Same as Section 3.1.2.

3.2.2 Perchloric Acid ( $\text{HClO}_4$ ). Concentrated (70 percent).

3.2.3 Nitric Acid ( $\text{HNO}_3$ ). Concentrated.

3.2.4 Beryllium Powder. Minimum purity 98 percent.

3.2.5 Sulfuric Acid ( $\text{H}_2\text{SO}_4$ ) Solution, 12 N. Dilute 33 ml of concentrated  $\text{H}_2\text{SO}_4$  to 1 liter with water.

3.2.6 Hydrochloric Acid Solution, 25 Percent HCl (V/V).

3.2.7 Standard Beryllium Solution, 1  $\mu\text{g}$  Be/ml. Dissolve 10 mg of Be in 80 ml of 12 N  $\text{H}_2\text{SO}_4$  solution, and dilute to 1000 ml with water. Dilute a 10-ml aliquot to 100 ml with 25 percent HCl solution to give a concentration of 1  $\mu\text{g}/\text{ml}$ . Prepare this dilute stock solution fresh daily. Equivalent strength Be stock solutions may be prepared from Be salts such as  $\text{BeCl}_2$  and  $\text{Be}(\text{NO}_3)_2$  (98 percent minimum purity).

#### 4. Procedure

4.1 Sampling. Because of the complexity of this method testers should be trained and experienced with the test procedures to assure reliable results. As Be is hazardous, testers should take precautions to minimize exposure. The amount of Be that is collected is generally small, therefore, it is necessary to exercise particular care to prevent contamination or loss of sample.

4.1.1 Pretest Preparation. Follow the general procedure given in Method 5, section 4.1.1. Omit the directions for filters, except check them visually against light for irregularities and flaws such as pinholes.

4.1.2 Preliminary Determinations. Follow the general procedure given in Method 5, section 4.1.2, except as follows: Select a nozzle size based on the range of velocity heads to assure that it is not necessary to change the nozzle size in order to maintain isokinetic sampling rates below 28 liters/min (1.0 cfm).

Obtain samples over a period or periods of time that accurately determine the maximum emissions that occur in a 24-hour period. In the case of cyclic operations, perform sufficient sample runs for the accurate determination of the emissions that occur over the duration of the cycle. A minimum sample time of 2 hours per run is recommended.

4.1.3 Prior to assembly, clean all glassware (probe, impingers, and connectors) by first soaking in wash acid for 2 hours, followed by rinsing with water. Place 100 ml of water in each of the first two impingers, and leave the third impinger empty. Save a portion of the water for a blank analysis. Place approximately 200 g of preweighed silica gel in the fourth impinger. The tester may use more silica gel, but should be careful to ensure that it is not entrained and carried out from the impinger during sampling. Place the silica gel container in a clean place for later use in the sample recovery. As an alternative, determine and record the weight of the silica gel plus impinger to the nearest 0.5 g.

Install the selected nozzle using a Viton A O-ring when stack temperatures are less than  $260^\circ\text{C}$  ( $500^\circ\text{F}$ ). Use a fiberglass string gasket if temperatures are higher. See APTD-0576 (Citation 9 in Section 10 of Method 101) for details. Other connecting systems using either 316 stainless steel or Teflon ferrules may be used.

If condensation in the probe or filter is a problem, probe and filter heaters will be required. Adjust the heaters to provide a temperature at or above the stack temperature. However, membrane filters such as the Millipore AA are limited to about  $225^\circ\text{F}$ . If the stack gas is in excess of about  $200^\circ\text{F}$ , consideration should be given to an alternate procedure such as moving the filter holder downstream of the first impinger to insure that the filter does not exceed its temperature limit. Mark the probe with heat-resistant tape or by some other method to denote the proper distance into the stack or duct for each sampling point. Assemble the train as shown in Figure 5-1 of Method 5, using (if necessary) a very light coat of silicone grease on all ground glass joints. Grease only the outer portion (see APTD-0576) to avoid possibility of contamination by the silicone

grease. *Note:* An empty impinger may be inserted between the third impinger and the silica gel to remove excess moisture from the sample stream.

After the sampling train has been assembled, turn on and set the probe, if applicable, at the desired operating temperature. Allow time for the temperatures to stabilize. Place crushed ice around the impingers.

4.1.4. Leak-Check Procedures. Follow the leak-check procedures outlined in Method 5, Sections 4.1.4.1 (Pretest Leak Check), 4.1.4.2 (Leak Checks During Sample Run), and 4.1.4.3 (Post-Test Leak Check).

4.1.5. Beryllium Train Operation. Follow the general procedure given in Method 5, Section 4.1.5. For each run, record the data required on a data sheet such as the one shown in Figure 5-2 of Method 5.

4.1.6. Calculation of Percent Isokinetic. Same as Method 5, Section 4.1.6.

4.2. Sample Recovery. Begin proper cleanup procedure as soon as the probe is removed from the stack at the end of the sampling period.

Allow the probe to cool. When it can be safely handled, wipe off any external particulate matter near the tip of the probe nozzle, and place a cap over it. Do not cap off the probe tip tightly while the sampling train is cooling. Capping would create a vacuum and draw liquid out from the impingers.

Before moving the sampling train to the cleanup site, remove the probe from the train, wipe off the silicone grease, and cap the open outlet of the probe. Be careful not to lose any condensate that might be present. Wipe off the silicone grease from the impinger. Use either ground-glass stoppers, plastic caps, or serum caps to close these openings.

Transfer the probe and impinger assembly to a cleanup area that is clean, protected from the wind, and free of Be contamination.

Inspect the train before and during this assembly, and note any abnormal conditions. Treat the sample as follows:

Disconnect the probe from the impinger train. Remove the filter and any loose particulate matter from the filter holder, and place in a sample bottle. Place the contents (measured to  $\pm 1$  ml) of the first three impingers into another sample bottle. Rinse the probe and all glassware between it and the back half of the third impinger with water and acetone, and add this to the latter sample bottle. Clean the probe with a brush or a long slender rod and cotton balls. Use acetone while cleaning. Add these to the sample bottle. Retain a sample of the water and acetone as a blank. The total amount of water and acetone used should be measured for accurate blank correction. Place the silica gel in the plastic jar. Seal and secure all sample containers for shipment. If an additional test is desired, the glassware can be carefully double rinsed with water and reas-

sembled. However, if the glassware is out of use more than 2 days, repeat the initial acid wash procedure.

4.3. Analysis.

4.3.1. Apparatus Preparation. Before use, clean all glassware according to the procedure of section 4.1.3. Adjust the instrument settings according to the instrument manual, using an absorption wavelength of 234.8 nm.

4.3.2. Sample Preparation. The digestion of Be samples is accomplished in part in concentrated  $\text{HClO}_4$ . *Caution:* The analyst must insure that the sample is heated to light brown fumes after the initial  $\text{HNO}_3$  addition; otherwise, dangerous perchlorates may result from the subsequent  $\text{HClO}_4$  digestion.  $\text{HClO}_4$  should be used only under a hood.

4.3.2.1. Filter Preparation. Transfer the filter and any loose particulate matter from the sample container to a 150-ml beaker. Add 35 ml concentrated  $\text{HNO}_3$ . Heat on a hotplate until light brown fumes are evident to destroy all organic matter. Cool to room temperature, and add 5 ml concentrated  $\text{H}_2\text{SO}_4$  and 5 ml concentrated  $\text{HClO}_4$ . Then proceed with step 4.3.2.4.

4.3.2.2. Water Preparation. Place a portion of the water and acetone sample into a 150-ml beaker, and put on a hotplate. Add portions of the remainder as evaporation proceeds and evaporate to dryness. Cool the residue, and add 35 ml concentrated  $\text{HNO}_3$ . Heat on a hotplate until light brown fumes are evident to destroy any organic matter. Cool to room temperature, and add 5 ml concentrated  $\text{H}_2\text{SO}_4$  and 5 ml concentrated  $\text{HClO}_4$ . Then proceed with step 4.3.2.4.

4.3.2.3. Silica Gel Preparation Analyses. Weigh the spent silica gel, and report to the nearest gram.

4.3.2.4. Final Sample Preparation. Samples from 4.3.2.1 and 4.3.2.2 may be combined here for ease of analysis. Replace on a hotplate, and evaporate to dryness in a  $\text{HClO}_4$  hood. Cool and dissolve the residue in 10.0 ml of 25 percent V/V HCl. Samples are now ready for the atomic absorption unit. It is necessary for the Be concentration of the sample to be within the calibration range of the unit. If necessary, perform further dilution of sample with 25 percent V/V HCl to bring the sample within the calibration range.

4.3.3. Beryllium Determination. Analyze the samples prepared in 4.3.2 at 234.8 nm using a nitrous oxide/acetylene flame. Aluminum, silicon and other elements can interfere with this method if present in large quantities. Standard methods are available, however, that may be used to effectively eliminate these interferences (see Citation 2 in Section 8).

##### 5. Calibration

5.1. Sampling Train. Calibrate the sampling train components according to the procedures outlined in the following sections of



Method 5: Section 5.1 (Probe Nozzle), section 5.2 (Pitot Tube), section 5.3 (Metering System), section 5.4 (Probe Heater), section 5.5 (Temperature Gauges), section 5.7 (Barometer). Note that the leak check described in section 5.6 of Method 5 applies to this method.

#### 6. Calculations

6.1 Dry Gas Volume. Using the data from each sample run, calculate the dry gas sample volume at standard conditions  $V_{m(\text{std})}$  (corrected for leakage, if necessary) as outlined in Section 6.3 of Method 5.

6.2 Volume of Water Vapor in Sample and Moisture Content of Stack Gas. Using the data obtained from each sample run, calculate the volume of water vapor  $V_{w(\text{std})}$  in the sample, and the moisture content  $B_{ws}$  of the stack gas. Use Equations 5-2 and 5-3 of Method 5.

6.3 Stack Gas Velocity. Using the data from each sample run and Equation 2-9 of Method 2, calculate the average stack gas velocity  $V_{s(\text{avg})}$ .

6.4 Beryllium Emission Rate. Calculate the Be emission rate  $R$  in g/day for each stack using Equation 104-1. For cyclic operations, use only the time per day each stack is in operation. The total Be emission rate from a source will be the summation of results from all stacks.

$$R = K \frac{W_t V_{s(\text{avg})} A_s (86,400 \times 10^{-6})}{[V_{m(\text{std})} + V_{w(\text{std})} (T_s/P_s)]} \quad \text{Eq. 104-1}$$

Where:

$W_t$ =Total weight of Be collected,  $\mu$  g.

$A_s$ =Stack cross-sectional area,  $\text{m}^2$  ( $\text{ft}^2$ ).

86,400=Conversion factor, sec/day.

$10^{-6}$ =Conversion factor,  $\text{g}/\mu$  g.

$T_s$ =Absolute average stack gas temperature,  $^{\circ}\text{K}$  ( $^{\circ}\text{P}$ ).

$P_s$ =Absolute stack gas pressure, mm Hg (in. Hg).

$K=0.3858$   $^{\circ}\text{K}/\text{mm Hg}$  for metric units.

$=17.64$   $^{\circ}\text{P}/\text{in. Hg}$  for English units.

6.5 Isokinetic Variation and Acceptable Results. Same as Method 5, Sections 6.11 and 6.12, respectively.

#### 7. Determination of Compliance

Each performance test consists of three sample runs of the applicable test method. For the purpose of determining compliance with an applicable national emission standard, use the average of the results of all sample runs.

#### 8. Bibliography

In addition to Citations 1-3 and 5-15 of Section 10 of Method 101, the following citations may be helpful:

1. Amos, M.D., and J. B. Willis. Use of High-Temperature Pre-Mixed Flames in

Atomic Absorption Spectroscopy. *Spectrochim. Acta.* 22:1325. 1966.

2. Fleet, B., K. V. Liberty, and T. S. West. A Study of Some Matrix Effects in the Determination of Beryllium by Atomic Absorption Spectroscopy in the Nitrous Oxide-Acetylene Flame. *Talanta* 17:203. 1970.

#### METHOD 105—DETERMINATION OF MERCURY IN WASTEWATER TREATMENT PLANT SEWAGE SLUDGE

##### 1. Applicability and Principle

1.1 Applicability. This method applies to the determination of total organic and inorganic mercury (Hg) content in sewage sludges. The range of this method is 0.2 to 5  $\mu\text{g}/\text{g}$ ; it may be extended by increasing or decreasing sample size.

1.2 Principle. Time-composite sludge samples are withdrawn from the conveyor belt after dewatering and before incineration or drying. A weighed portion of the sludge is digested in aqua regia and oxidized by potassium permanganate ( $\text{KMnO}_4$ ). Hg in the digested sample is then measured by the conventional spectrophotometric cold-vapor technique.

##### 2. Apparatus

2.1 Sampling.

2.1.1 Container. Plastic, 50-liter.

2.1.2 Scoop. To remove 950-ml (1-qt.) sludge sample.

2.2 Sludge Sample Preparation.

2.2.1 Mixer. Mortar mixer, wheelbarrow-type, 57-liter (or equivalent) with electricity driven motor.

2.2.2 Blender. Waring-type, 2-liter. (Note: Mention of specific trade names does not constitute endorsement by the Environmental Protection Agency.)

2.2.3 Scoop. To remove 100-ml and 20-ml samples of blended sludge.

2.3 Analysis. Same as Method 101, Sections 5.3 and 5.4, except for the following:

2.3.1 Balance. The balance of Method 101, Section 5.3.17, is not needed.

2.3.2 Filter Paper. S and S No. 588 (or equivalent).

##### 3. Reagents

3.1 Water. Same as Method 101A, Section 6.1.1.

3.2 Aqua Regia. Prepare immediately before use. Carefully add one volume of concentrated nitric acid ( $\text{HNO}_3$ ) to three volumes of concentrated hydrochloric acid ( $\text{HCl}$ ).

3.3 Antifoam B Silicon Emulsion. J.T. Baker Company (or equivalent).

3.4 Mercury (II) Stock Solution, 1 mg Hg/ml. Completely dissolve 135.4 mg of ACS reagent-grade  $\text{HgCl}_2$  in 75 ml of water, add 10 ml of concentrated  $\text{HNO}_3$ , and adjust the volume to 100.0 ml with water. Mix thoroughly. (This solution is stable for at least 1 month.)

3.5 Intermediate Mercury Standard Solution, 10 µg Hg/ml. Prepare fresh weekly. Pipet 5.0 ml of the Hg stock solution into a 500-ml volumetric flask, and add 20 ml of the 15-percent HNO<sub>3</sub> solution. Adjust the volume to 500 ml with water. Thoroughly mix the solution.

3.6 Working Mercury Standard Solution, 200 ng Hg/ml. Prepare fresh daily. Pipet 5.0 ml of the "Intermediate Mercury Standard Solution" into a 250-ml volumetric flask. Add 20 ml of 15-percent HNO<sub>3</sub>, and adjust the volume to 250 ml with water. Mix thoroughly.

3.7 Tin (II) Solution, Sodium Chloride-Hydroxylamine Solution, 15-Percent Nitric Acid, and Potassium Permanganate Solution. Same as Method 101A, Section 6.2.

#### 4. Procedure

4.1 Sludge Sampling. Withdraw equal-volume increments of sludge [for a total of at least 15 liters (16-qt.)] at intervals of 30 min over an 8-hr period, and place in a rigid plastic container.

4.2 Sludge Mixing. Transfer the entire 15-liter sample to a 57-liter capacity (2-ft<sup>3</sup>) mortar mixer. Mix the sample for a minimum of 30 min at 30 rpm. Using a 200-ml beaker, take six 100-ml portions of sludge, and combine in a 2-liter blender. Blend sludge for 5 min; add water as necessary to give a fluid consistency. Immediately after stopping the blender, use a 50-ml beaker to withdraw four 20-ml portions of blended sludge, and place them in separate, tared 125-ml Erlenmeyer flasks. Reweigh each flask to determine the exact amount of sludge added. (Use three of the samples to determine the mercury content in the sludge, and use the fourth to measure the solids content of the blended sludge.)

4.3 Solids Content of Blended Sludge. Dry one of the 20-ml blended samples from Section 4.2 in an oven at 105 ° C to constant weight. Cool in a desiccator, and weigh and record the dry weight of the sample.

4.4 Aqua Regia Digestion of Blended Samples. To each of the three remaining 20-ml samples from Section 4.2, add 25 ml of aqua regia, and digest the samples on a hot plate at low heat (do not boil) for 30 min, or until samples are a pale yellow-brown color and are void of the dark brown color characteristic of organic matter. Remove from the hot plate, and allow to cool.

Filter each digested sample separately through an S and S No. 588 filter, or equivalent, and rinse the filter contents with 50 ml of water. Transfer the filtrate and filter washing to a 100-ml volumetric flask, and carefully dilute to volume with water.

4.5 Solids Content of Sludge Before Blending. Using a 200-ml beaker, remove two 100-ml portions of mixed sludge from the mortar mixer, and place in separate, tared 400-ml beakers. Reweigh each beaker to determine the exact amount of sludge added. Dry in an

oven at 105 ° C, and cool in a desiccator to constant weight.

4.6 Analysis for Mercury. The same as Method 101A, Sections 7.4 and 8, except for the following variation.

4.6.1 Spectrophotometer and Recorder Calibration. The mercury response may be measured by either peak height or peak area. Note: The temperature of the solution affects the rate at which elemental Hg is released from solution and, consequently, it affects the shape of the absorption curve (area) and the point of maximum absorbance (peak height). Therefore, to obtain reproducible results, bring all solutions to room temperature before use.

Set the spectrophotometer wavelength to 253.7 nm. Make certain the optical cell is at the minimum temperature that will prevent water condensation from occurring. Then set the recorder scale as follows: Using a 25-ml graduated cylinder, add 25 ml of water to the aeration-cell bottle. Add three drops of Antifoam B to the bottle, and then pipet 5.0 ml of the working Hg standard solution into the aeration cell.

NOTE: Always add the Hg containing solution to the aeration cell after the 25 ml of water.

Place a Teflon-coated stirring bar in the bottle. Add 5 ml of 15-percent HNO<sub>3</sub> and 5 ml of 5-percent KMnO<sub>4</sub> to the aeration bottle, and mix well. Next, attach the bottle section to the bubbler section of the aeration cell, and make certain that: (1) the exit arm stopcock of the aeration cell (Figure 105-3) is closed (so that Hg will not prematurely enter the optical cell when the reducing agent is being added), and (2) there is no flow through the bubbler. Add 5 ml of sodium chloride-hydroxylamine solution to the aeration bottle through the side arm, and mix. If the solution does not become colorless, add additional sodium chloride-hydroxylamine solution in 1-ml increments until the solution is colorless. Now add 5 ml of tin (II) solution to the aeration bottle through the side arm, and immediately stopper the side arm. Stir the solution for 15 sec, turn on the recorder, open the aeration cell exit arm stopcock, and then immediately initiate aeration with continued stirring. Determine the maximum absorbance of the standard, and set this value to read 90 percent of the recorder full scale.

#### 5. Calculations

##### 5.1 Nomenclature.

C<sub>m</sub>=Concentration of Hg in the digested sample, µg/g.

F<sub>sb</sub>=Weight fraction of solids in the blended sludge.

F<sub>sm</sub>=Weight fraction of solids in the collected sludge after mixing.

M=Hg content of the sewage sludge (on a dry basis), µg/g.

m=Mass of Hg in the aliquot of digested sample analyzed, µg.

$V_a$ =Volume of digested sample analyzed, ml.  
 $V_s$ =Volume of digested sample, ml.  
 $W_f$ =Weight of empty sample flask, g.  
 $W_{fs}$ =Weight of sample flask and sample, g.  
 $W_{fd}$ =Weight of sample flask and sample after drying, g.  
 $W_b$ =Weight of empty sample beaker, g.  
 $W_{bs}$ =Weight of sample beaker and sample, g.  
 $W_{bd}$ =Weight of sample beaker and sample after drying, g.

5.2 Mercury Content of Digested Sample (Wet Basis). For each sample, correct the average maximum absorbance of the two consecutive samples whose peak heights agree within  $\pm 3$  percent of their average for the contribution of the blank. Use the calibration curve and these corrected averages to determine the final Hg concentration in the solution cell for each sludge sample.

Calculate the total Hg content in each gram of digested sample correcting for any dilutions made to bring the sample into the working range of the spectrophotometer and for the weight of the sludge portion digested.

$$C_m = \frac{mVs}{V_a(W_{fs} - W_f)} \quad \text{Eq. 105-1}$$

5.3 Solids Content of Blended Sludge. Determine the solids content of the 20-ml aliquot dried in the oven at 105 ° C (Section 4.3).

$$F_{sb} = 1 - \frac{W_{fs} - W_{fd}}{W_{fs} - W_f} \quad \text{Eq. 105-2}$$

5.4 Solids Content of Bulk Sample (before blending but, after mixing in mortar mixer). Determine the solids content of each 100-ml aliquot (Section 4.5), and average the results.

$$F_{sm} = 1 - \frac{W_{bs} - W_{bd}}{W_{bs} - W_b} \quad \text{Eq. 105-3}$$

5.5 Mercury Content of Bulk Sample (Dry Basis). Average the results from the three samples from each 8-hr composite sample, and calculate the Hg concentration of the composite sample on a dry basis.

$$M = \frac{C_{m(\text{avg})}}{F_{sb}} \quad \text{Eq. 105-4}$$

## 6. Bibliography

1. Bishop, J.N. Mercury in Sediments, Ontario Water Resources Commission. Toronto, Ontario, Canada. 1971.
2. Salma, M. Private Communication. EPA California/Nevada Basin Office. Alameda, California.
3. Hatch, W.R. and W.L. Ott. Determination of Sub-Microgram Quantities of Mercury by Atomic Absorption Spectrophotometry. *Analytical Chemistry*. 40:2085. 1968.
4. Bradenberger, H. and H. Bader. The Determination of Nanogram Levels of Mercury

in Solution by a Flameless Atomic Absorption Technique. *Atomic Absorption Newsletter*. 6:101. 1967.

5. Analytical Quality Control Laboratory (AQCL). Mercury in Sediment (Cold Vapor Technique) (Provisional Method). U.S. Environmental Protection Agency. Cincinnati, Ohio. April 1972.

6. Kopp, J.F., M.C. Longbottom, and L.B. Lobring. "Cold Vapor" Method for Determining Mercury. *Journal AWWA*. 64(1):20-25. 1972.

7. Manual of Methods for Chemical Analysis of Water and Wastes. U.S. Environmental Protection Agency. Cincinnati, Ohio. Publication No. EPA-624/2-74-003. December 1974. p. 118-138.

8. Mitchell, W.J., M.R. Midgett, J. Suggs, R.J. Velton, and D. Albrinck. Sampling and Homogenizing Sewage for Analysis. Environmental Monitoring and Support Laboratory, Office of Research and Development, U.S. Environmental Protection Agency. Research Triangle Park, N.C. March 1979. 7 p.

## METHOD 106—DETERMINATION OF VINYL CHLORIDE FROM STATIONARY SOURCES

### Introduction

Performance of this method should not be attempted by persons unfamiliar with the operation of a gas chromatograph (GC) nor by those who are unfamiliar with source sampling, because knowledge beyond the scope of this presentation is required. Care must be exercised to prevent exposure of sampling personnel to vinyl chloride, a carcinogen.

### 1. Applicability and Principle

1.1 Applicability. The method is applicable to the measurement of vinyl chloride in stack gases from ethylene dichloride, vinyl chloride, and polyvinyl chloride manufacturing processes. The method does not measure vinyl chloride contained in particulate matter.

1.2 Principle. An integrated bag sample of stack gas containing vinyl chloride (chloroethene) is subjected to GC analysis using a flame ionization detector (FID).

### 2. Range and Sensitivity

This method is designed for the 0.1 to 50 ppm range. However, common GC instruments are capable of detecting 0.02 ppm vinyl chloride. With proper calibration, the upper limit may be extended as needed.

### 3. Interferences

The chromatographic columns and the corresponding operating parameters herein described normally provide an adequate resolution of vinyl chloride; however, resolution interferences may be encountered on some sources. Therefore, the chromatograph operator shall select the column and operating parameters best suited to his particular

analysis requirements, subject to the approval of the Administrator. Approval is automatic, provided that the tester produces confirming data through an adequate supplemental analytical technique, such as analysis with a different column or GC/mass spectroscopy, and has the data available for review by the Administrator.

#### 4. Apparatus

4.1 Sampling (see Figure 106-1). The sampling train consists of the following components:

4.1.1 Probe. Stainless steel, Pyrex glass, or Teflon tubing (as stack temperature permits) equipped with a glass wool plug to remove particulate matter.

4.1.2 Sample Lines. Teflon, 6.4-mm outside diameter, of sufficient length to connect probe to bag. Use a new unused piece for each series of bag samples that constitutes an emission test, and discard upon completion of the test.

4.1.3 Quick Connects. Stainless steel, male (2) and female (2), with ball checks (one pair without), located as shown in Figure 106-1.

4.1.4 Tedlar Bags. 50- to 100-liter capacity, to contain sample. Aluminized Mylar bags may be used if the samples are analyzed within 24 hours of collection.

4.1.5 Bag Containers. Rigid leak-proof containers for sample bags, with covering to protect contents from sunlight.

4.1.6 Needle Valve. To adjust sample flow rates.

4.1.7 Pump. Leak-free, with minimum of 2-liter/min capacity.

4.1.8 Charcoal Tube. To prevent admission of vinyl chloride and other organics to the atmosphere in the vicinity of samplers.

4.1.9 Flowmeter. For observing sampling flow rate; capable of measuring a flow range from 0.10 to 1.00 liter/min.

4.1.10 Connecting Tubing. Teflon, 6.4-mm outside diameter, to assemble sampling train (Figure 106-1).

4.1.11 Tubing Fittings and Connectors. Teflon or stainless steel, to assemble sampling train.

4.2 Sample Recovery. Teflon tubing, 6.4-mm outside diameter, to connect bag to GC sample loop for sample recovery. Use a new unused piece for each series of bag samples that constitutes an emission test, and discard upon conclusion of analysis of those bags.

4.3 Analysis. The following equipment is required:

4.3.1 Gas Chromatograph. With FID, potentiometric strip chart recorder and 1.0- to 5.0-ml heated sampling loop in automatic sample valve. The chromatographic system shall be capable of producing a response to 0.1-ppm vinyl chloride that is at least as great as the average noise level. (Response is measured from the average value of the base

line to the maximum of the wave form, while standard operating conditions are in use.)

4.3.2 Chromatographic Columns. Columns as listed below. The analyst may use other columns provided that the precision and accuracy of the analysis of vinyl chloride standards are not impaired and he has available for review information confirming that there is adequate resolution of the vinyl chloride peak. (Adequate resolution is defined as an area overlap of not more than 10 percent of the vinyl chloride peak by an interferent peak. Calculation of area overlap is explained in Appendix C, Procedure 1: "Determination of Adequate Chromatographic Peak Resolution.")

4.3.2.1 Column A. Stainless steel, 2.0 m by 3.2 mm, containing 80/100-mesh Chromasorb 102.

4.3.2.2 Column B. Stainless steel, 2.0 m by 3.2 mm, containing 20 percent GE SF-96 on 60/80-mesh Chromasorb P AW; or stainless steel, 1.0 m by 3.2 mm containing 80/100-mesh Porapak T. Column B is required as a secondary column if acetaldehyde is present. If used, column B is placed after column A. The combined columns should be operated at 120 °C.

4.3.3 Flowmeters (2). Rotameter type, 100-ml/min capacity, with flow control valves.

4.3.4 Gas Regulators. For required gas cylinders.

4.3.5 Thermometer. Accurate to 1 °C, to measure temperature of heated sample loop at time of sample injection.

4.3.6 Barometer. Accurate to 5 mm Hg, to measure atmospheric pressure around GC during sample analysis.

4.3.7 Pump. Leak-free, with minimum of 100-ml/min capacity.

4.3.8 Recorder. Strip chart type, optionally equipped with either disc or electronic integrator.

4.3.9 Planimeter. Optional, in place of disc or electronic integrator on recorder, to measure chromatograph peak areas.

4.4 Calibration. Sections 4.4.2 through 4.4.4 are for the optional procedure in Section 7.1.

4.4.1 Tubing. Teflon, 6.4-mm outside diameter, separate pieces marked for each calibration concentration.

4.4.2 Tedlar Bags. Sixteen-inch-square size, with valve; separate bag marked for each calibration concentration.

4.4.3 Syringes. 0.5-ml and 50- $\mu$ l, gas tight, individually calibrated to dispense gaseous vinyl chloride.

4.4.4 Dry Gas Meter, with Temperature and Pressure Gauges. Singer Model DTM-115 with 802 index, or equivalent, to meter nitrogen in preparation of standard gas mixtures, calibrated at the flow rate used to prepare standards.

#### 5. Reagents

Use only reagents that are of chromatograph grade.

5.1 Analysis. The following are required for analysis.

5.1.1 Helium or Nitrogen. Zero grade, for chromatographic carrier gas.

5.1.2 Hydrogen. Zero grade.

5.1.3 Oxygen or Air. Zero grade, as required by the detector.

5.2 Calibration. Use one of the following options: either 5.2.1 and 5.2.2, or 5.2.3.

5.2.1 Vinyl Chloride. Pure vinyl chloride gas certified by the manufacturer to contain a minimum of 99.9 percent vinyl chloride, for use in the preparation of standard gas mixtures in Section 7.1. If the gas manufacturer maintains a bulk cylinder supply of 99.9+ percent vinyl chloride, the certification analysis may have been performed on this supply rather than on each gas cylinder prepared from this bulk supply. The date of gas cylinder preparation and the certified analysis must have been affixed to the cylinder before shipment from the gas manufacturer to the buyer.

5.2.2 Nitrogen. Zero grade, for preparation of standard gas mixtures as described in Section 7.1.

5.2.3 Cylinder Standards (3). Gas mixture standards (50-, 10-, and 5-ppm vinyl chloride in nitrogen cylinders). The tester may use cylinder standards to directly prepare a chromatograph calibration curve as described in Section 7.2.2, if the following conditions are met: (a) The manufacturer certifies the gas composition with an accuracy of  $\pm 3$  percent or better (see Section 5.2.3.1). (b) The manufacturer recommends a maximum shelf life over which the gas concentration does not change by greater than  $\pm 5$  percent from the certified value. (c) The manufacturer affixes the date of gas cylinder preparation, certified vinyl chloride concentration, and recommended maximum shelf life to the cylinder before shipment to the buyer.

5.2.3.1 Cylinder Standards Certification. The manufacturer shall certify the concentration of vinyl chloride in nitrogen in each cylinder by (a) directly analyzing each cylinder and (b) calibrating his analytical procedure on the day of cylinder analysis. To calibrate his analytical procedure, the manufacturer shall use, as a minimum, a three-point calibration curve. It is recommended that the manufacturer maintain (1) a high-concentration calibration standard (between 50 and 100 ppm) to prepare his calibration curve by an appropriate dilution technique and (2) a low-concentration calibration standard (between 5 and 10 ppm) to verify the dilution technique used. If the difference between the apparent concentration read from the calibration curve and the true concentration assigned to the low-concentration calibration standard exceeds 5 percent of the true concentration, the manufacturer shall

determine the source of error and correct it, then repeat the three-point calibration.

5.2.3.2 Verification of Manufacturer's Calibration Standards. Before using a standard, the manufacturer shall verify each calibration standard (a) by comparing it to gas mixtures prepared (with 99 mole percent vinyl chloride) in accordance with the procedure described in Section 7.1 or (b) calibrating it against vinyl chloride cylinder Standard Reference Materials (SRM's) prepared by the National Bureau of Standards, if such SRM's are available. The agreement between the initially determined concentration value and the verification concentration value must be within  $\pm 5$  percent. The manufacturer must reverify all calibration standards on a time interval consistent with the shelf life of the cylinder standards sold.

5.2.4 Audit Cylinder Standards (2). Gas mixture standards with concentrations known only to the person supervising the analysis of samples. The audit cylinder standards shall be identically prepared as those in Section 5.2.3 (vinyl chloride in nitrogen cylinders). The concentrations of the audit cylinder should be: one low-concentration cylinder in the range of 5 to 20 ppm vinyl chloride and one high-concentration cylinder in the range of 20 to 50 ppm. When available, the tester may obtain audit cylinders by contacting: Environmental Protection Agency, Environmental Monitoring Systems Laboratory, Quality Assurance Division (MD-77), Research Triangle Park, North Carolina 27711. Audit cylinders obtained from a commercial gas manufacturer may be used provided: (a) the gas manufacturer certifies the audit cylinder as described in Section 5.2.3.1, and (b) the gas manufacturer obtains an independent analysis of the audit cylinders to verify this analysis. Independent analysis is defined here to mean analysis performed by an individual different than the individual who performs the gas manufacturer's analysis, while using calibration standards and analysis equipment different from those used for the gas manufacturer's analysis. Verification is complete and acceptable when the independent analysis concentration is within  $\pm 5$  percent of the gas manufacturer's concentration.

## 6. Procedure

6.1 Sampling. Assemble the sample train as shown in Figure 106-1. A bag leak check should have been performed previously according to Section 7.3.2. Join the quick connects as illustrated, and determine that all connection between the bag and the probe are tight. Place the end of the probe at the centroid of the stack and start the pump with the needle valve adjusted to yield a flow that will fill over 50 percent of bag volume in the specific sample period. After allowing sufficient time to purge the line several

times, change the vacuum line from the container to the bag and evacuate the bag until the rotameter indicates no flow. Then reposition the sample and vacuum lines and begin the actual sampling, keeping the rate proportional to the stack velocity. At all times, direct the gas exiting the rotameter away from sampling personnel. At the end of the sample period, shut off the pump, disconnect the sample line from the bag, and disconnect the vacuum line from the bag container. Protect the bag container from sunlight.

6.2 Sample Storage. Keep the sample bags out of direct sunlight. When at all possible, analysis is to be performed within 24 hours, but in no case in excess of 72 hours of sample collection. Aluminized Mylar bag samples must be analyzed within 24 hours.

6.3 Sample Recovery. With a new piece of Teflon tubing identified for that bag, connect a bag inlet valve to the gas chromatograph sample valve. Switch the valve to receive gas from the bag through the sample loop. Arrange the equipment so the sample gas passes from the sample valve to 100-ml/min rotameter with flow control valve followed by a charcoal tube and a 1-in.  $H_2O$  pressure gauge. The tester may maintain the sample flow either by a vacuum pump or container pressurization if the collection bag remains in the rigid container. After sample loop purging is ceased, allow the pressure gauge to return to zero before activating the gas sampling valve.

6.4 Analysis. Set the column temperature to 100 °C and the detector temperature to 150 °C. When optimum hydrogen and oxygen flow rates have been determined, verify and maintain these flow rates during all chromatography operations. Using zero helium or nitrogen as the carrier gas, establish a flow rate in the range consistent with the manufacturer's requirements for satisfactory detector operation. A flow rate of approximately 40 ml/min should produce adequate separations. Observe the base line periodically and determine that the noise level has stabilized and that base line drift has ceased. Purge the sample loop for 30 seconds at the rate of 100 ml/min, shut off flow, allow the sample loop pressure to reach atmospheric pressure as indicated by the  $H_2O$  manometer, then activate the sample valve. Record the injection time (the position of the pen on the chart at the time of sample injection), sample number, sample loop temperature, column temperature, carrier gas flow rate, chart speed, and attenuator setting. Record the barometric pressure. From the chart, note the peak having the retention time corresponding to vinyl chloride as determined in Section 7.2.1. Measure the vinyl chloride peak area,  $A_m$ , by use of a disc integrator, electronic integrator, or a planimeter. Measure and record the peak heights,  $H_m$ . Record  $A_m$  and retention time. Repeat the injection at least two times or until two consecutive

values for the total area of the vinyl chloride peak do not vary more than 5 percent. Use the average value for these two total areas to compute the bag concentration.

Compare the ratio of  $H_m$  to  $A_m$  for the vinyl chloride sample with the same ratio for the standard peak that is closest in height. If these ratios differ by more than 10 percent, the vinyl chloride peak may not be pure (possibly acetaldehyde is present) and the secondary column should be employed (see Section 4.3.2.2).

6.5 Determination of Bag Water Vapor Content. Measure the ambient temperature and barometric pressure near the bag. From a water saturation vapor pressure table, determine and record the water vapor content of the bag as a decimal figure. (Assume the relative humidity to be 100 percent unless a lesser value is known.)

#### 7. Preparation of Standard Gas Mixtures, Calibration, and Quality Assurance

7.1 Preparation of Vinyl Chloride Standard Gas Mixtures. (Optional Procedure—delete if cylinder standards are used.) Evacuate a 16-inch square Tedlar bag that has passed a leak check (described in Section 7.3.2) and meter in 5.0 liters of nitrogen. While the bag is filling, use the 0.5-ml syringe to inject 250  $\mu$ l of 99.9+ percent vinyl chloride gas through the wall of the bag. Upon withdrawing the syringe, immediately cover the resulting hole with a piece of adhesive tape. The bag now contains a vinyl chloride concentration of 50 ppm. In a like manner use the 50  $\mu$ l syringe to prepare gas mixtures having 10- and 5-ppm vinyl chloride concentrations. Place each bag on a smooth surface and alternately depress opposite sides of the bag 50 times to further mix the gases. These gas mixture standards may be used for 10 days from the date of preparation, after which time new gas mixtures must be prepared. (Caution: Contamination may be a problem when a bag is reused if the new gas mixture standard is a lower concentration than the previous gas mixture standard.)

#### 7.2 Calibration.

7.2.1 Determination of Vinyl Chloride Retention Time. (This section can be performed simultaneously with Section 7.2.2.) Establish chromatograph conditions identical with those in Section 6.4 above. Determine proper attenuator position. Flush the sampling loop with zero helium or nitrogen and activate the sample valve. Record the injection time, sample loop temperature, column temperature, carrier gas flow rate, chart speed, and attenuator setting. Record peaks and detector responses that occur in the absence of vinyl chloride. Maintain conditions with the equipment plumbing arranged identically to Section 6.3, and flush the sample loop for 30 seconds at the rate of 100 ml/min with one of the vinyl chloride calibration mixtures. Then activate the sample valve. Record the

injection time. Select the peak that corresponds to vinyl chloride. Measure the distance on the chart from the injection time to the time at which the peak maximum occurs. This quantity divided by the chart speed is defined as the retention time. Since other organics may be present in the sample, positive identification of the vinyl chloride peak must be made.

7.2.2 Preparation of Chromatograph Calibration Curve. Make a GC measurement of each gas mixture standard (described in Section 5.2.3 or 7.1) using conditions identical with those listed in Sections 6.3 and 6.4. Flush the sampling loop for 30 seconds at the rate of 100 ml/min with one of the standard mixtures, and activate the sample valve. Record the concentration of vinyl chloride injected ( $C_c$ ), attenuator setting, chart speed, peak area, sample loop temperature, column temperature, carrier gas flow rate, and retention time. Record the barometric pressure. Calculate  $A_c$ , the peak area multiplied by the attenuator setting. Repeat until two consecutive injection areas are within 5 percent, then plot the average of those two values versus  $C_c$ . When the other standard gas mixtures have been similarly analyzed and plotted, draw a straight line through the points derived by the least squares method. Perform calibration daily, or before and after the analysis of each emission test set of bag samples, whichever is more frequent. For each group of sample analyses, use the average of the two calibration curves which bracket that group to determine the respective sample concentrations. If the two calibration curves differ by more than 5 percent from their mean value, then report the final results by both calibration curves.

### 7.3 Quality Assurance.

7.3.1 Analysis Audit. Immediately after the preparation of the calibration curve and prior to the sample analyses, perform the analysis audit described in Appendix C, Procedure 2: "Procedure for Field Auditing GC Analysis."

7.3.2 Bag Leak Checks. Checking of bags for leaks is required after bag use and strongly recommended before bag use. After each use, connect a water manometer and pressurize the bag to 5 to 10 cm H<sub>2</sub>O (2 to 4 in. H<sub>2</sub>O). Allow to stand for 10 min. Any displacement in the water manometer indicates a leak. Also, check the rigid container for leaks in this manner. (Note: An alternative leak check method is to pressurize the bag to 5 to 10 cm H<sub>2</sub>O and allow it to stand overnight. A deflated bag indicates a leak.) For each sample bag in its rigid container, place a rotameter in line between the bag and the pump inlet. Evacuate the bag. Failure of the rotameter to register zero flow when the bag appears to be empty indicates a leak.

## 8. Calculations

8.1 Sample Peak Area. Determine the sample peak area,  $A_c$ , as follows:

$$A_c = A_m A_f \quad \text{Eq. 106-1}$$

Where:

$A_m$ =Measured peak area.

$A_f$ =Attenuation factor.

8.2 Vinyl Chloride Concentrations. From the calibration curves described in Section 7.2.2, determine the average concentration value of vinyl chloride,  $C_c$ , that corresponds to  $A_c$ , the sample peak area. Calculate the concentration of vinyl chloride in the bag,  $C_b$ , as follows:

$$C_b = \frac{C_c P_r T_i}{P_i T_r (1 - B_{wb})} \quad \text{Eq. 106-2}$$

Where:

$C_b$ =Concentration of vinyl chloride in the bag, ppm.

$C_c$ =Concentration of vinyl chloride in the standard sample, ppm.

$P_r$ =Reference pressure, the laboratory pressure recorded during calibration, mm Hg.

$T_i$ =Sample loop temperature on the absolute scale at the time of analysis, °K.

$P_i$ =Laboratory pressure at time of analysis, mm Hg.

$T_r$ =Reference temperature, the sample loop temperature recorded during calibration, °K.

$B_{wb}$ =Water vapor content of the bag sample, as analyzed, volume fraction.

## 9. Bibliography

1. Brown D.W., E.W. Loy, and M.H. Stephenson. Vinyl Chloride Monitoring Near the B. F. Goodrich Chemical Company in Louisville, KY. Region IV, U.S. Environmental Protection Agency, Surveillance and Analysis Division, Athens, GA. June 24, 1974.
2. G.D. Clayton and Associates. Evaluation of a Collection and Analytical Procedure for Vinyl Chloride in Air. U.S. Environmental Protection Agency, Research Triangle Park, N.C. EPA Contract No. 68-02-1408, Task Order No. 2, EPA Report No. 75-VCL-1. December 13, 1974.
3. Midwest Research Institute. Standardization of Stationary Source Emission Method for Vinyl Chloride. U.S. Environmental Protection Agency, Research Triangle Park, N.C. Publication No. EPA-600/4-77-026. May 1977.
4. Scheil, G. and M.C. Sharp. Collaborative Testing of EPA Method 106 (Vinyl Chloride) that Will Provide for a Standardized Stationary Source Emission Measurement Method. U.S. Environmental Protection Agency, Research Triangle Park, N.C. Publication No. EPA 600/4-78-058. October 1978.

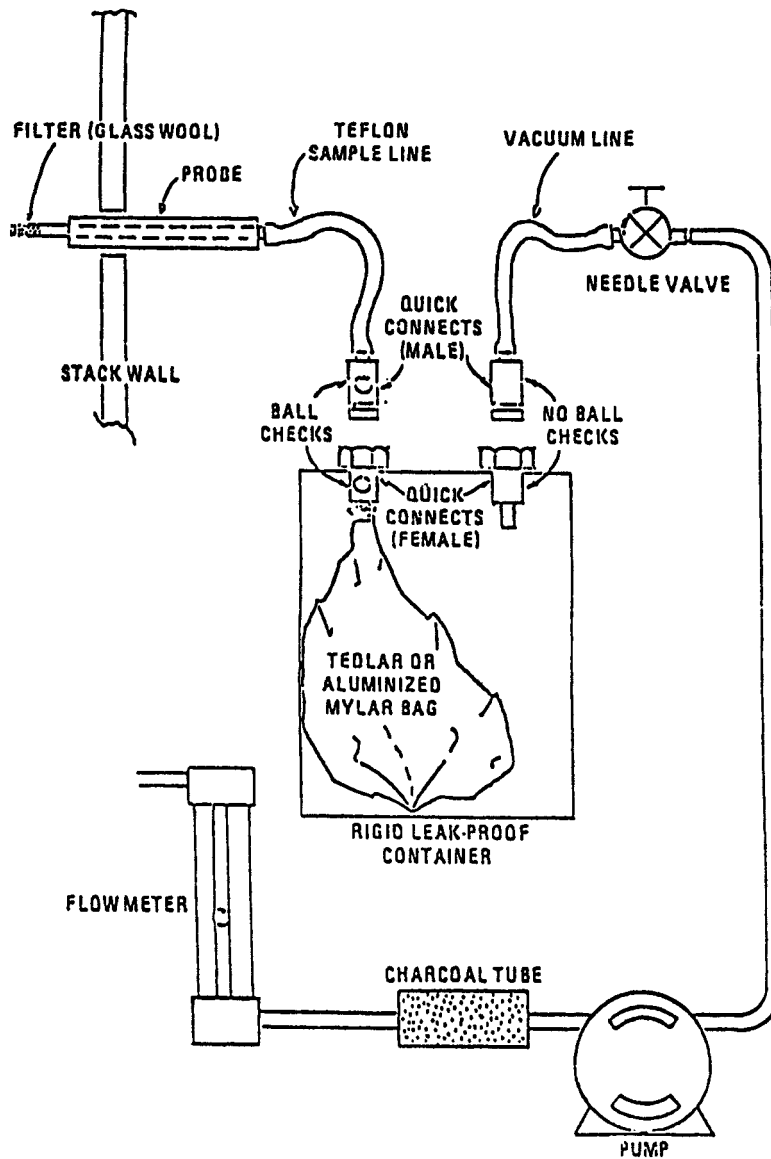


Figure 106-1. Integrated-bag sampling train. (Mention of trade names or specific products does not constitute endorsement by the Environmental Protection Agency.)



METHOD 107—DETERMINATION OF VINYL CHLORIDE CONTENT OF INPROCESS WASTEWATER SAMPLES, AND VINYL CHLORIDE CONTENT OF POLYVINYL CHLORIDE RESIN, SLURRY, WET CAKE, AND LATEX SAMPLES

#### Introduction

Performance of this method should not be attempted by persons unfamiliar with the operation of a gas chromatograph (GC), nor by those who are unfamiliar with source sampling, because knowledge beyond the scope of this presentation is required. Care must be exercised to prevent exposure of sampling personnel to vinyl chloride, a carcinogen.

#### 1. Applicability and Principle

1.1 Applicability. This method applies to the measurement of the vinyl chloride monomer (VCM) content of inprocess wastewater samples, and the residual vinyl chloride monomer (RVCM) content of polyvinyl chloride (PVC) resins, wet cake, slurry, and latex samples. It cannot be used for polymer in fused forms, such as sheet or cubes. This method is not acceptable where methods from Section 304(h) of the Clean Water Act, 33 U.S.C. 1251 et seq. (the Federal Water Pollution Control Amendments of 1972 as amended by the Clean Water Act of 1977) are required.

1.2 Principle. The basis for this method relates to the vapor equilibrium that is established at a constant known temperature in a closed system between RVCM, PVC resin, water, and air. The RVCM in a PVC resin will equilibrate rapidly in a closed vessel, provided that the temperature of the PVC resin is maintained above the glass transition temperature of that specific resin.

#### 2. Range and Sensitivity

The lower limit of detection of vinyl chloride will vary according to the sampling and chromatographic system. The system should be capable of producing a measurement for a 50-ppm vinyl chloride standard that is at least 10 times the standard deviation of the system background noise level.

#### 3. Interferences

The chromatograph columns and the corresponding operating parameters herein described normally provide an adequate resolution of vinyl chloride; however, resolution interferences may be encountered on some sources. Therefore, the chromatograph operator shall select the column and operating parameters best suited to his particular analysis requirements, subject to the approval of the Administrator. Approval is automatic provided that the tester produces confirming data through an adequate supplemental analytical technique, such as analysis with a different column or GC/mass spectroscopy, and has the data available for review by the Administrator.

#### 4. Precision and Reproducibility

An interlaboratory comparison between seven laboratories of three resin samples, each split into three parts, yielded a standard deviation of 2.63 percent for a sample with a mean of 2.09 ppm, 4.16 percent for a sample with a mean of 1.66 ppm, and 5.29 percent for a sample with a mean of 62.66 ppm.

#### 5. Safety

Do not release vinyl chloride to the laboratory atmosphere during preparation of standards. Venting or purging with VCM/air mixtures must be held to a minimum. When they are required, the vapor must be routed to outside air. Vinyl chloride, even at low ppm levels, must never be vented inside the laboratory. After vials have been analyzed, the gas must be vented prior to removal of the vial from the instrument turntable. Vials must be vented through a hypodermic needle connected to an activated charcoal tube to prevent release of vinyl chloride into the laboratory atmosphere. The charcoal must be replaced prior to vinyl chloride breakthrough.

#### 6. Apparatus

6.1 Sampling. The following equipment is required:

6.1.1 Glass bottles. 60-ml (2-oz) capacity, with wax-lined screw-on tops, for PVC samples.

6.1.2 Glass Vials. Headspace vials, with Teflon-faced butyl rubber sealing discs, for water samples.

6.1.3 Adhesive Tape. To prevent loosening of bottle tops.

6.2 Sample Recovery. The following equipment is required:

6.2.1 Glass Vials. Headspace vials, with butyl rubber septa and aluminum caps. Silicone rubber is not acceptable.

6.2.2 Analytical Balance. Capable of determining sample weight within an accuracy of  $\pm 1$  percent.

6.2.3 Vial Sealer. To seal headspace vials.

6.2.4 Syringe. 100- $\mu$ l capacity.

6.3 Analysis. The following equipment is required:

6.3.1 Headspace Sampler and Chromatograph. Capable of sampling and analyzing a constant amount of headspace gas from a sealed vial, while maintaining that vial at a temperature of  $90 \text{ }^\circ\text{C} \pm 0.5 \text{ }^\circ\text{C}$ . The chromatograph shall be equipped with a flame ionization detector. Perkin-Elmer Corporation Models F-40, F-42, F-45, HS-6, and HS-100, and Hewlett-Packard Corporation Model 19395A have been found satisfactory. Chromatograph backflush capability may be required.

6.3.2 Chromatographic Columns. Stainless steel 1 m by 3.2 mm and 2 m by 3.2 mm, both containing 50/80-mesh Porapak Q. The analyst may use other columns provided that the precision and accuracy of the analysis of vinyl chloride standards are not impaired and he has available for review information

confirming that there is adequate resolution of the vinyl chloride peak. (Adequate resolution is defined as an area overlap of not more than 10 percent of the vinyl chloride peak by an interferent peak. Calculation of area overlap is explained in Appendix C. Procedure 1: "Determination of Adequate Chromatographic Peak Resolution.") Two 1.83 m columns, each containing 1 percent Carbowax 1500 on Caropak B, have been suggested for samples containing acetaldehyde.

6.3.3 Thermometer. 0 to 100 °C, accurate to  $\pm 0.1$  °C.

6.3.4 Integrator-Recorder. To record chromatograms.

6.3.5 Barometer. Accurate to  $\pm 1$  mm Hg.

6.3.6 Regulators. For required gas cylinders.

6.3.7 Headspace Vial Pre-Pressurizer. Nitrogen pressurized hypodermic needle inside protective shield. (Blueprint available from Test Support Section, Emission Measurement Branch, Office of Air Quality Planning and Standards, Environmental Protection Agency, Mail Drop 19, Research Triangle Park, N.C. 27711.)

## 7. Reagents

Use only reagents that are of chromatographic grade.

7.1 Analysis. The following items are required for analysis:

7.1.1 Hydrogen. Zero grade.

7.1.2 Nitrogen or Helium. Zero grade.

7.1.3 Air. Zero grade.

7.1.4 Water. Interference free.

7.2 Calibration. The following items are required for calibration:

7.2.1 Cylinder Standards (4). Gas mixture standards (50-, 500-, 2000- and 4000-ppm vinyl chloride in nitrogen cylinders). The tester may use cylinder standards to directly prepare a chromatograph calibration curve as described in Section 9.2, if the following conditions are met: (a) The manufacturer certifies the gas composition with an accuracy of  $\pm 3$  percent or better (see Section 7.2.1.1). (b) The manufacturer recommends a maximum shelf life over which the gas concentration does not change by greater than  $\pm 5$  percent from the certified value. (c) The manufacturer affixes the date of gas cylinder preparation, certified vinyl chloride concentration, and recommended maximum shelf life to the cylinder before shipment to the buyer.

7.2.1.1 Cylinder Standards Certification. The manufacturer shall certify the concentration of vinyl chloride in nitrogen in each cylinder by (a) directly analyzing each cylinder and (b) calibrating his analytical procedure on the day of cylinder analysis. To calibrate his analytical procedure, the manufacturer shall use, as a minimum, a 3-point calibration curve. It is recommended that the manufacturer maintain (1) a high-concentration calibration standard (between

4000 and 8000 ppm) to prepare his calibration curve by an appropriate dilution technique and (2) a low-concentration calibration standard (between 50 and 500 ppm) to verify the dilution technique used. If the difference between the apparent concentration read from the calibration curve and the true concentration assigned to the low-concentration calibration standard exceeds 5 percent of the true concentration, the manufacturer shall determine the source of error and correct it, then repeat the 3-point calibration.

7.2.1.2 Verification of Manufacturer's Calibration Standards. Before using, the manufacturer shall verify each calibration standard by (a) comparing it to gas mixtures prepared (with 99 mole percent vinyl chloride) in accordance with the procedure described in Section 7.1 of Method 106 or by (b) calibrating it against vinyl chloride cylinder Standard Reference Materials (SRM's) prepared by the National Bureau of Standards, if such SRM's are available. The agreement between the initially determined concentration value and the verification concentration value must be within 5 percent. The manufacturer must reverify all calibration standards on a time interval consistent with the shelf life of the cylinder standards sold.

## 8. Procedure

### 8.1 Sampling.

8.1.1 PVC Sampling. Allow the resin or slurry to flow from a tap on the tank or silo until the tap line has been well purged. Extend and fill a 60-ml sample bottle under the tap, and immediately tighten a cap on the bottle. Wrap adhesive tape around the cap and bottle to prevent the cap from loosening. Place an identifying label on each bottle, and record the date, time, and sample location both on the bottles and in a log book. All samples should be kept refrigerated.

8.1.2 Water Sampling. At the sampling location fill the vials bubble-free to overflowing so that a convex meniscus forms at the top. The excess water is displaced as the sealing disc is carefully placed, with the Teflon side down, on the opening of the vial.

Place the aluminum seal over the disc and the neck of the vial, and crimp into place. Affix an identifying label on the bottle, and record the date, time, and sample location both on the vials and in a log book. All samples must be kept refrigerated until analyzed.

8.2 Sample Recovery. Samples must be run within 24 hours.

8.2.1 Resin Samples. The weight of the resin used must be between 0.1 and 4.5 grams. An exact weight must be obtained ( $\pm 1$  percent) for each sample. In the case of suspension resins, a volumetric cup can be prepared for holding the required amount of sample. When the cup is used, open the sample bottle, and add the cup volume of resin to the tared sample vial (tared, including septum

and aluminum cap). Obtain the exact sample weight, add 100 $\mu$ l or about two equal drops of water, and immediately seal the vial. Report this value on the data sheet; it is required for calculation of RVC. In the case of dispersion resins, the cup cannot be used. Weigh the sample in an aluminum dish, transfer the sample to the tared vial, and accurately weigh it in the vial. After prepressurization of the samples, condition them for a minimum of 1 hour in the 90 °C bath. Do not exceed 5 hours.

Prepressurization is not required if the sample weight, as analyzed, does not exceed 0.2 gram. It is also not required if solution of the prepressurization equation yields an absolute prepressurization value that is within 30 percent of the atmospheric pressure.

NOTE: Some aluminum vial caps have a center section that must be removed prior to placing into sample tray. If the cap is not removed, the injection needle will be damaged.

**8.2.2 Suspension Resin Slurry and Wet Cake Samples.** Decant the water from a wet cake sample, and turn the sample bottle upside down onto a paper towel. Wait for the water to drain, place approximately 0.2 to 4.0 grams of the wet cake sample in a tared vial (tared, including septum and aluminum cap) and seal immediately. Then determine the sample weight ( $\pm 1$  percent). All samples, weighing over 0.2 gram, must be prepressurized prior to conditioning for 1 hour at 90 °C, except as noted in Section 8.2.1. A sample of wet cake is used to determine total solids (TS). This is required for calculating the RVC.

**8.2.3 Dispersion Resin Slurry and Geon Latex Samples.** The materials should not be filtered. Sample must be thoroughly mixed. Using a tared vial (tared, including septum and aluminum cap) add approximately eight drops (0.25 to 0.35 g) of slurry or latex using a medicine dropper. This should be done immediately after mixing. Seal the vial as soon as possible. Determine sample weight ( $\pm 1$  percent). Condition the vial for 1 hour at 90 °C in the analyzer bath. Determine the TS on the slurry sample (Section 8.3.5).

**8.2.4 Inprocess Wastewater Samples.** Using a tared vial (tared, including septum and aluminum cap) quickly add approximately 1 cc of water using a medicine dropper. Seal the vial as soon as possible. Determine sample weight ( $\pm 1$  percent). Condition the vial for 1 hour at 90 °C in the analyzer bath.

### 8.3 Analysis.

**8.3.1 Preparation of Equipment.** Install the chromatographic column and condition overnight at 160 °C. In the first operation, Porapak columns must be purged for 1 hour at 230 °C.

Do not connect the exit end of the column to the detector while conditioning. Hydrogen and air to the detector must be turned off while the column is disconnected.

**8.3.1.1 Flow Rate Adjustments.** Adjust flow rates as follows:

a. Nitrogen Carrier Gas. Set regulator on cylinder to read 50 psig. Set regulator on chromatograph to produce a flow rate of 30.0 cc/min. Accurately measure the flow rate at the exit end of the column using the soap film flowmeter and a stopwatch, with the oven and column at the analysis temperature. After the instrument program advances to the "B" (backflush) mode, adjust the nitrogen pressure regulator to exactly balance the nitrogen flow rate at the detector as was obtained in the "A" mode.

b. Vial Prepressurizer Nitrogen. After the nitrogen carrier is set, solve the following equation and adjust the pressure on the vial prepressurizer accordingly.

$$P = \frac{T_1}{T_2} \left[ P_1 - \frac{P_{w1} - P_{w2}}{7.50} \right] - 10 \text{ k Pa}$$

Where:

$T_1$ =Ambient temperature, °K.

$T_2$ =Conditioning bath temperature, °K.

$P_1$ =Gas chromatograph absolute dosing pressure (analysis mode), k Pa.

$P_{w1}$ =Water vapor pressure @ 90 °C (525.8 mm Hg).

$P_{w2}$ =Water vapor pressure @ 22 °C (19.8 mm Hg).

7.50=mm Hg per k Pa.

10 k Pa=Factor to adjust the prepressurized pressure to slightly less than the dosing pressure.

Because of gauge errors, the apparatus may over-pressurize the vial. If the vial pressure is at or higher than the dosing pressure, an audible double injection will occur. If the vial pressure is too low, errors will occur on resin samples because of inadequate time for head-space gas equilibrium. This condition can be avoided by running several standard gas samples at various pressures around the calculated pressure, and then selecting the highest pressure that does not produce a double injection. All samples and standards must be pressurized for 60 seconds using the vial prepressurizer. The vial is then placed into the 90 °C conditioning bath and tested for leakage by placing a drop of water on the septum at the needle hole. A clean, burr-free needle is mandatory.

c. Burner Air Supply. Set regulator on cylinder to read 50 psig. Set regulator on chromatograph to supply air to burner at a rate between 250 and 300 cc/min. Check with bubble flowmeter.

d. Hydrogen Supply. Set regulator on cylinder to read 30 psig. Set regulator on chromatograph to supply approximately 35  $\pm$  5 cc/min. Optimize hydrogen flow to yield the most sensitive detector response without extinguishing the flame. Check flow with bubble meter and record this flow.

8.3.1.2 Temperature Adjustments. Set temperatures as follows:

- a. Oven (chromatograph column), 140 °C.
- b. Dosing Line, 150 °C.
- c. Injection Block, 170 °C.
- d. Sample Chamber, Water Temperature, 90 °C ± 1.0 °C.

8.3.1.3 Ignition of Flame Ionization Detector. Ignite the detector according to the manufacturer's instructions.

8.3.1.4 Amplifier Balance. Balance the amplifier according to the manufacturer's instructions.

8.3.2 Programming the Chromatograph. Program the chromatograph as follows:

- a. I—Dosing or Injection Time. The normal setting is 2 seconds.
- b. A—"Analysis Time." The normal setting is approximately 70 percent of the VCM retention time. When this timer terminates, the programmer initiates backflushing of the first column.
- c. B—Backflushing Time. The normal setting is double the "analysis time."
- d. W—Stabilization Time. The normal setting is 0.5 min to 1.0 min.
- e. X—Number of Analyses Per Sample. The normal setting is one.

8.3.3 Preparation of Sample Turntable. Before placing any sample into turntable, be certain that the center section of the aluminum cap has been removed. The numbered sample vials should be placed in the corresponding numbered positions in the turntable. Insert samples in the following order:

Position 1 and 2—Old 2000-ppm standards for conditioning. These are necessary only after the analyzer has not been used for 24 hours or longer.

Position 3—50-ppm standard, freshly prepared.

Position 4—500-ppm standard, freshly prepared.

Position 5—2000-ppm standard, freshly prepared.

Position 6—4000-ppm standard, freshly prepared.

Position 7—Sample No. 7 (This is the first sample of the day, but is given as 7 to be consistent with the turntable and the integrator printout.)

After all samples have been positioned, insert the second set of 50-, 500-, 2000-, and 4000-ppm standards. Samples, including standards, must be conditioned in the bath of 90 °C for 1 hour (not to exceed 5 hours).

8.3.4 Start Chromatograph Program. When all samples, including standards, have been conditioned at 90 °C for 1 hour, start the analysis program according to the manufacturer's instructions. These instructions must be carefully followed when starting and stopping a program to prevent damage to the dosing assembly.

8.3.5 Determination of TS. For wet cake, slurry, resin solution, and PVC latex samples, determine TS for each sample by accu-

rately weighing approximately 3 to 4 grams of sample in an aluminum pan before and after placing in a draft oven (105 to 110 °C). Samples must be dried to constant weight. After first weighing, return the pan to the oven for a short period of time, and then reweigh to verify complete dryness. The TS are then calculated as the final sample weight divided by initial sample weight.

#### 9. Calibration

Calibration is to be performed each 8-hour period the chromatograph is used. Alternatively, calibration with duplicate 50-, 500-, 2,000-, and 4,000-ppm standards (hereafter described as a four-point calibration) may be performed on a monthly basis, provided that a calibration confirmation test consisting of duplicate analyses of an appropriate standard is performed once per plant shift, or once per chromatograph carousel operation (if the chromatograph operation is less frequent than once per shift). The criterion for acceptance of each calibration confirmation test is that both analyses of 500-ppm standards [2,000-ppm standards if dispersion resin (excluding latex resin) samples are being analyzed] must be within 5 percent of the most recent four-point calibration curve. If this criterion is not met, then a complete four-point calibration must be performed before sample analyses can proceed.

9.1 Preparation of Standards. Calibration standards are prepared as follows: Place 100µl or about two equal drops of distilled water in the sample vial, then fill the vial with the VCM/nitrogen standard, rapidly seat the septum, and seal with the aluminum cap. Use a 1/8-in. stainless steel line from the cylinder to the vial. Do not use rubber or Tygon tubing. The sample line from the cylinder must be purged (into a properly vented hood) for several minutes prior to filling the vials. After purging, reduce the flow rate to 500 to 1000 cc/min. Place end of tubing into vial (near bottom). Position a septum on top of the vial, pressing it against the 1/8-in. filling tube to minimize the size of the vent opening. This is necessary to minimize mixing air with the standard in the vial. Each vial is to be purged with standard for 90 seconds, during which time the filling tube is gradually slid to the top of the vial. After the 90 seconds, the tube is removed with the septum, simultaneously sealing the vial. Practice will be necessary to develop good technique. Rubber gloves should be worn during the above operations. The sealed vial must then be pressurized for 60 seconds using the vial prepressurizer. Test the vial for leakage by placing a drop of water on the septum at the needle hole. Prepressurization of standards is not required unless samples have been prepressurized.

9.2 Preparation of Chromatograph Calibration Curve.

## Environmental Protection Agency

## Pt. 61, App. B, Meth. 107A

Prepare two vials each of 50-, 500-, 2,000-, and 4,000-ppm standards. Run the calibration samples in exactly the same manner as regular samples. Plot  $A_s$ , the integrator area counts for each standard sample, versus  $C_c$ , the concentration of vinyl chloride in each standard sample. Draw a straight line through the points derived by the least squares method.

### 10. Calculations

10.1 Response Factor. If the calibration curve described in Section 9.2 passes through zero, an average response factor,  $R_f$ , may be used to facilitate computation of vinyl chloride sample concentrations.

To compute  $R_f$ , first compute a response factor,  $R_s$ , for each sample as follows:

$$R_s = \frac{A_s}{C_c} \quad \text{Eq. 107-1}$$

where:

$R_s$ =Response factor, area counts/ppm.

$A_s$ =Chromatogram area counts of vinyl chloride for the sample, area counts.

$C_c$ =Concentration of vinyl chloride in the standard sample, ppm.

Sum the individual response factors, and calculate  $R_f$ . If the calibration curve does not pass through zero, use the calibration curve to determine each sample concentration.

10.2 Residual Vinyl Chloride Monomer Concentration, ( $C_{rvc}$ ) or Vinyl Chloride Monomer Concentration. Calculate  $C_{rvc}$  in ppm or mg/kg as follows:

$$C_{rvc} = \frac{A_s P_a}{R_f T_1} \left[ \frac{M_v V_g}{R m} + K_p (TS) T_2 + K_w (1 - TS) T_2 \right] \quad \text{Eq. 107-2}$$

Where:

$A_s$ =Chromatogram area counts of vinyl chloride for the sample.

$P_a$ =Ambient atmospheric pressure, mm Hg.

$R_f$ =Response factor in area counts per ppm VCM.

$T_1$ =Ambient laboratory temperature, °K.

$M_v$ =Molecular weight of VCM, 62.5 g/mole.

$V_g$ =Volume of vapor phase,  $\text{cm}^3$ .

$$= V_v - \frac{m(TS)}{1.36} - \frac{m(1 - TS)}{0.9653}$$

$R$ =Gas constant, (62360  $\text{cm}^3$ ) (mm Hg)/(mole)(° K).

$m$ =Sample weight, g.

$K_p$ =Henry's Law Constant for VCM in PVC @ 90 °C,  $6.52 \times 10^{-6}$  g/g/mm Hg.

$TS$ =Total solids expressed as a decimal fraction.

$T_2$ =Equilibrium temperature, °K.

$K_w$ =Henry's Law Constant for VCM in water @ 90 °C,  $7 \times 10^{-7}$  g/g/mm Hg.

$V_v$ =Vial volume,  $\text{cm}^3$ .

1.36=Density of PVC at 90° C, g/ $\text{cm}^3$ .

0.9653=Density of water at 90° C, g/ $\text{cm}^3$ .

$$= V_v - \frac{m(TS)}{1.36} - \frac{m(1 - TS)}{0.9653}$$

Results calculated using these equations represent concentration based on the total sample. To obtain results based on dry PVC content, divide by  $TS$ .

### 11. Bibliography

1. B.F. Goodrich, Residual Vinyl Chloride Monomer Content of Polyvinyl Chloride Res-

ins, Latex, Wet Cake, Slurry and Water Samples. B.F. Goodrich Chemical Group Standard Test Procedure No. 1005-E. B.F. Goodrich Technical Center, Avon Lake, Ohio. October 8, 1979.

2. Berens, A.R. The Diffusion of Vinyl Chloride in Polyvinyl Chloride. ACS—Division of Polymer Chemistry, Polymer Preprints 15 (2):197. 1974.

3. Berens, A.R. The Diffusion of Vinyl Chloride in Polyvinyl Chloride. ACS—Division of Polymer Chemistry, Polymer Preprints 15 (2):203. 1974.

4. Berens, A.R., L.B. Crider, C.J. Tomanek, and J.M. Whitney. Analysis for Vinyl Chloride in PVC Powders by Head—Space Gas Chromatography. Journal of Applied Polymer Science. 19:3169-3172. 1975.

5. Mansfield, R.A. The Evaluation of Henry's Law Constant ( $K_p$ ) and Water Enhancement in the Perkin-Elmer Multifract F-40 Gas Chromatograph. B.F. Goodrich. Avon Lake, Ohio. February 10, 1978.

METHOD 107A—DETERMINATION OF VINYL CHLORIDE CONTENT OF SOLVENTS, RESIN-SOLVENT SOLUTION, POLYVINYL CHLORIDE RESIN, RESIN SLURRY, WET RESIN, AND LATEX SAMPLES

### Introduction

Performance of this method should not be attempted by persons unfamiliar with the operation of a gas chromatograph (GC) or by those who are unfamiliar with source sampling because knowledge beyond the scope of this presentation is required. Care must be

exercised to prevent exposure of sampling personnel to vinyl chloride, a carcinogen.

#### 1. *Applicability and Principle*

1.1 *Applicability.* This is an alternative method and applies to the measurement of the vinyl chloride content of solvents, resin solvent solutions, polyvinyl chloride (PVC) resin, wet cake slurries, latex, and fabricated resin samples. This method is not acceptable where methods from Section 304(h) of the Clean Water Act, 33 U.S.C. 1251 et seq., (the Federal Water Pollution Control Act Amendments of 1972 as amended by the Clean Water Act of 1977) are required.

1.2 *Principle.* The basis for this method lies in the direct injection of a liquid sample into a chromatograph and the subsequent evaporation of all volatile material into the carrier gas stream of the chromatograph, thus permitting analysis of all volatile material including vinyl chloride.

#### 2. *Range and Sensitivity*

The lower limit of detection of vinyl chloride in dry PVC resin is 0.2 ppm. For resin solutions, latexes, and wet resin, this limit rises inversely as the nonvolatile (resin) content decreases.

With proper calibration, the upper limit may be extended as needed.

#### 3. *Interferences*

The chromatograph columns and the corresponding operating parameters herein described normally provide an adequate resolution of vinyl chloride. In cases where resolution interferences are encountered, the chromatograph operator shall select the column and operating parameters best suited to his particular analysis problem, subject to the approval of the Administrator. Approval is automatic, provided that the tester produces confirming data through an adequate supplemental analytical technique, such as analysis with a different column or GC/mass spectroscopy, and has the data available for review by the Administrator.

#### 4. *Precision and Reproducibility*

A standard sample of latex containing 181.8 ppm vinyl chloride analyzed 10 times by the alternative method showed a standard deviation of 7.5 percent and a mean error of 0.21 percent.

A sample of vinyl chloride copolymer resin solution was analyzed 10 times by the alternative method and showed a standard deviation of 6.6 percent at a level of 35 ppm.

#### 5. *Safety*

Do not release vinyl chloride to the laboratory atmosphere during preparation of standards. Venting or purging with vinyl chloride monomer (VCM) air mixtures must be held to minimum. When purging is required, the vapor must be routed to outside air. Vinyl chloride, even at low-ppm levels, must never be vented inside the laboratory.

#### 6. *Apparatus*

6.1 *Sampling.* The following equipment is required:

6.1.1 *Glass Bottles.* 16-oz wide mouth wide polyethylene-lined, screw-on tops.

6.1.2 *Adhesive Tape.* To prevent loosening of bottle tops.

6.2 *Sample Recovery.* The following equipment is required:

6.2.1 *Glass Vials.* 20-ml capacity with polycarbonate screw caps.

6.2.2 *Analytical Balance.* Capable of weighing to  $\pm 0.01$  gram.

6.2.3 *Syringe.* 50-microliter size, with removable needle.

6.2.4 *Fritted Glass Sparger.* Fine porosity.

6.2.5 *Aluminum Weighing Dishes.*

6.2.6 *Sample Roller or Shaker.* To help dissolve sample.

6.3 *Analysis.* The following equipment is required:

6.3.1 *Gas Chromatograph.* Hewlett Packard Model 5720A or equivalent.

6.3.2 *Chromatograph Column.* Stainless steel, 6.1 m by 3.2 mm, packed with 20 percent Tergitol E-35 on Chromosorb W AW 60/80 mesh. The analyst may use other columns provided that the precision and accuracy of the analysis of vinyl chloride standards are not impaired and that he has available for review information confirming that there is adequate resolution of the vinyl chloride peak. (Adequate resolution is defined as an area overlap of not more than 10 percent of the vinyl chloride peak by an interfering peak. Calculation of area overlap is explained in Appendix C, Procedure 1: "Determination of Adequate Chromatographic Peak Resolution.")

6.3.3 *Valco Instrument Six-Port Rotary Valve.* For column back flush.

6.3.4 *Septa.* For chromatograph injection port.

6.3.5 *Injection Port Liners.* For chromatograph used.

6.3.6 *Regulators.* For required gas cylinders.

6.3.7 *Soap Film Flowmeter.* Hewlett Packard No. 0101-0113 or equivalent.

6.4 *Calibration.* The following equipment is required:

6.4.1 *Analytical Balance.* Capable of weighing to  $\pm 0.0001$  g.

6.4.2 *Erlenmeyer Flask With Glass Stopper.* 125 ml.

6.4.3 *Pipets.* 0.1, 0.5, 1, 5, 10, and 50 ml.

6.4.4 *Volumetric Flasks.* 10 and 100 ml.

#### 7. *Reagents*

Use only reagents that are of chromatograph grade.

7.1 *Analysis.* The following items are required:

7.1.1 *Hydrogen Gas.* Zero grade.

7.1.2 *Nitrogen Gas.* Zero grade.

7.1.3 *Air.* Zero grade.

7.1.4 Tetrahydrofuran (THF). Reagent grade.

Analyze the THF by injecting 10 microliters into the prepared gas chromatograph. Compare the THF chromatogram with that shown in Figure 107A-1. If the chromatogram is comparable to A, the THF should be

sparged with pure nitrogen for approximately 2 hours using the fritted glass sparger to attempt to remove the interfering peak. Reanalyze the sparged THF to determine whether the THF is acceptable for use. If the scan is comparable to B, the THF should be acceptable for use in the analysis.

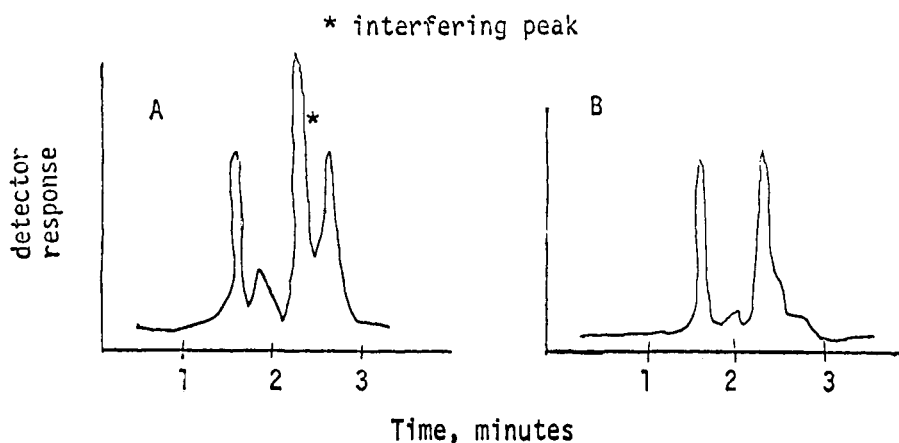


Figure 107A-1

7.1.5 N, N-Dimethylacetamide (DMAC). Spectrographic grade. For use in place of THF.

7.2 Calibration. The following item is required:

7.2.1 Vinyl Chloride 99.9 Percent. Ideal Gas Products lecture bottle, or equivalent. For preparation of standard solutions.

#### 8. Procedure

8.1 Sampling. Allow the liquid or dried resin to flow from a tap on the tank, silo, or pipeline until the tap has been purged. Fill a wide-mouth pint bottle, and immediately tightly cap the bottle. Place an identifying label on each bottle and record the date, time, sample location, and material.

8.2 Sample Treatment. Sample must be run within 24 hours.

8.2.1 Resin Samples. Weigh  $9.00 \pm 0.01$  g of THF or DMAC in a tared 20-ml vial. Add  $1.00 \pm 0.01$  g of resin to the tared vial containing the THF or DMAC. Close the vial tightly with the screw cap, and shake or otherwise agitate the vial until complete solution of the resin is obtained. Shaking may require several minutes to several hours, depending on the nature of the resin.

8.2.2 Suspension Resin Slurry and Wet Resin Sample. Slurry must be filtered using a small Buchner funnel with vacuum to yield a wet resin sample. The filtering process

must be continued only as long as a steady stream of water is exiting from the funnel. Excessive filtration time could result in some loss of VCM. The wet resin sample is weighed into a tared 20-ml vial with THF or DMAC as described earlier for resin samples (8.2.1) and treated the same as the resin sample. A sample of the wet resin is used to determine total solids as required for calculating the residual VCM (Section 8.3.4).

8.2.3 Latex and Resin Solvent Solutions. Samples must be thoroughly mixed. Weigh  $1.00 \pm 0.01$  g of the latex or resin-solvent solution into a 20-ml vial containing  $9.00 \pm 0.01$  g of THF or DMAC as for the resin samples (8.2.1). Cap and shake until complete solution is obtained. Determine the total solids of the latex or resin solution sample (Section 8.3.4).

8.2.4 Solvents and Non-viscous Liquid Samples. No preparation of these samples is required. The neat samples are injected directly into the GC.

#### 8.3 Analysis.

8.3.1 Preparation of GC. Install the chromatographic column, and condition overnight at  $70^\circ\text{C}$ . Do not connect the exit end of the column to the detector while conditioning.

8.3.1.1 Flow Rate Adjustments. Adjust the flow rate as follows:

a. Nitrogen Carrier Gas. Set regulator on cylinder to read 60 psig. Set column flow controller on the chromatograph using the soap film flowmeter to yield a flow rate of 40 cc/min.

b. Burner Air Supply. Set regulator on the cylinder at 40 psig. Set regulator on the chromatograph to supply air to the burner to yield a flow rate of 250 to 300 cc/min using the flowmeter.

c. Hydrogen. Set regulator on cylinder to read 60 psig. Set regulator on the chromatograph to supply 30 to 40 cc/min using the flowmeter. Optimize hydrogen flow to yield the most sensitive detector response without extinguishing the flame. Check flow with flowmeter and record this flow.

d. Nitrogen Back Flush Gas. Set regulator on the chromatograph using the soap film flowmeter to yield a flow rate of 40 cc/min.

8.3.1.2 Temperature Adjustments. Set temperature as follows:

a. Oven (chromatographic column) at 70 °C.

b. Injection Port at 100 °C.

c. Detector at 300 °C.

8.3.1.3 Ignition of Flame Ionization Detector. Ignite the detector according to the manufacturer's instructions. Allow system to stabilize approximately 1 hour.

8.3.1.4 Recorder. Set pen at zero and start chart drive.

8.3.1.5 Attenuation. Set attenuation to yield desired peak height depending on sample VCM content.

8.3.2 Chromatographic Analyses.

a. Sample Injection. Remove needle from 50-microliter syringe. Open sample vial and draw 50-microliters of THF or DMAC sample recovery solution into the syringe. Recap sample vial. Attach needle to the syringe and while holding the syringe vertically (needle uppermost), eject 40 microliters into an absorbent tissue. Wipe needle with tissue. Now inject 10 microliters into chromatograph system. Repeat the injection until two consecutive values for the height of the vinyl chloride peak do not vary more than 5 percent. Use the average value for these two peak heights to compute the sample concentration.

b. Back Flush. After 4 minutes has elapsed after sample injection, actuate the back flush valve to purge the first 4 feet of the chromatographic column of solvent and other high boilers.

c. Sample Data. Record on the chromatograph strip chart the data from the sample label.

d. Elution Time. Vinyl chloride elutes at 2.8 minutes. Acetaldehyde elutes at 3.7 minutes. Analysis is considered complete when chart pen becomes stable. After 5 minutes, reset back flush valve and inject next sample.

8.3.3 Chromatograph Servicing.

a. Septum. Replace after five sample injections.

b. Sample Port Liner. Replace the sample port liner with a clean spare after five sample injections.

c. Chromatograph Shutdown. If the chromatograph has been shut down overnight, rerun one or more samples from the preceding day to test stability and precision prior to starting on the current day's work.

8.3.4 Determination of Total Solids (TS). For wet resin, resin solution, and PVC latex samples, determine the TS for each sample by accurately weighing approximately 3 to 5 grams of sample into a tared aluminum pan. The initial procedure is as follows:

a. Where water is the major volatile component: Tare the weighing dish, and add 3 to 5 grams of sample to the dish. Weigh to the nearest milligram.

b. Where volatile solvent is the major volatile component: Transfer a portion of the sample to a 20-ml screw cap vial and cap immediately. Weigh the vial to the nearest milligram. Uncap the vial and transfer a 3- to 5-gram portion of the sample to a tared aluminum weighing dish. Recap the vial and reweigh to the nearest milligram. The vial weight loss is the sample weight.

To continue, place the weighing pan in a 130 °C oven for 1 hour. Remove the dish and allow to cool to room temperature in a desiccator. Weigh the pan to the nearest 0.1 mg. Total solids is the weight of material in the aluminum pan after heating divided by the net weight of sample added to the pan originally times 100.

## 9. Calibration of the Chromatograph

9.1 Preparation of Standards. Prepare a 1 percent by weight (approximate) solution of vinyl chloride in THF or DMAC by bubbling vinyl chloride gas from a cylinder into a tared 125-ml glass-stoppered flask containing THF or DMAC. The weight of vinyl chloride to be added should be calculated prior to this operation, i.e., 1 percent of the weight of THF or DMAC contained in the tared flask. This must be carried out in a laboratory hood. Adjust the vinyl chloride flow from the cylinder so that the vinyl chloride dissolves essentially completely in the THF or DMAC and is not blown to the atmosphere. Take particular care not to volatilize any of the solution. Stopper the flask and swirl the solution to effect complete mixing. Weigh the stoppered flask to nearest 0.1 mg to determine the exact amount of vinyl chloride added.

Pipet 10 ml of the approximately 1 percent solution into a 100-ml glass-stoppered volumetric flask, and add THF or DMAC to fill to the mark. Cap the flask and invert 10 to 20 times. This solution contains approximately 1,000 ppm by weight of vinyl chloride (note the exact concentration).

Pipet 50-, 10-, 5-, 1-, 0.5-, and 0.1-ml aliquots of the approximately 1,000 ppm solution into



10 ml glass stoppered volumetric flasks. Dilute to the mark with THF or DMAC, cap the flasks and invert each 10 to 20 times. These solutions contain approximately 500, 100, 50, 10, 5, and 1 ppm vinyl chloride. Note the exact concentration of each one. These standards are to be kept under refrigeration in stoppered bottles, and must be renewed every 3 months.

9.2 Preparation of Chromatograph Calibration Curve.

Obtain the GC for each of the six final solutions prepared in Section 9.1 by using the procedure in Section 8.3.2. Prepare a chart plotting peak height obtained from the chromatogram of each solution versus the known concentration. Draw a straight line through the points derived by the least squares method.

#### 10. Calculations

10.1 Response Factor. From the calibration curve described in Section 9.2, select the value of  $C_c$  that corresponds to  $H_c$  for each sample. Compute the response factor,  $R_f$ , for each sample as follows:

$$R_f = \frac{C_c}{H_c} \quad \text{Eq. 107A-1}$$

where:

$R_f$ =Chromatograph response factor, ppm/mm.  
 $C_c$ =Concentration of vinyl chloride in the standard sample, ppm.

$H_c$ =Peak height of the standard sample, mm.

10.2 Residual vinyl chloride monomer concentration ( $C_{rvc}$ ) or vinyl chloride monomer concentration in resin:

$$C_{rvc} = 10H_s R_f \quad \text{Eq. 107A-2}$$

Where:

$C_{rvc}$ =Concentration of residual vinyl chloride monomer, ppm.

$H_s$ =Peak height of sample, mm.

$R_f$ =Chromatograph response factor.

10.3 Samples containing volatile material, i.e., resin solutions, wet resin, and latexes:

$$C_{rvc} = \frac{H_s R_f (1,000)}{TS} \quad \text{Eq. 107A-3}$$

where:

$TS$ =Total solids in the sample, weight fraction.

10.4 Samples of solvents and in process wastewater:

$$C_{rvc} = \frac{H_s R_f}{0.888} \quad \text{Eq. 107A-4}$$

Where:

0.888=Specific gravity of THF.

#### 11. Bibliography

1. Communication from R. N. Wheeler, Jr.; Union Carbide Corporation. Part 61 National Emissions Standards for Hazardous Air Pollutants appendix B, Method 107—Alternate Method, September 19, 1977.

#### METHOD 108—DETERMINATION OF PARTICULATE AND GASEOUS ARSENIC EMISSIONS

##### 1. Applicability and Principle

1.1 Applicability. This method applies to the determination of inorganic arsenic (As) emissions from stationary sources as specified in the applicable subpart.

1.2 Principle. Particulate and gaseous arsenic emissions are withdrawn isokinetically from the source and collected on a glass mat filter and in water. The collected arsenic is then analyzed by means of atomic absorption spectrophotometry.

##### 2. Apparatus

2.1 Sampling Train. A schematic of the sampling train is shown in Figure 108-1; it is similar to the Method 5 train of 40 CFR part 60, appendix A. Note: This and all subsequent references to other methods refer to the methods in 40 CFR part 60, appendix A. The sampling train consists of the following components:

2.1.1 Probe Nozzle, Probe Liner, Pitot Tube, Differential Pressure Gauge, Filter Holder, Filter Heating System, Metering System, Barometer, and Gas Density Determination Equipment. Same as Method 5, Sections 2.1.1 to 2.1.6 and 2.1.8 to 2.1.10, respectively.

2.1.2 Filter Heating System. Any heating (or cooling) system capable of maintaining a sample gas temperature at the exit end of the filter holder during sampling at  $121 \pm 14$  °C ( $250 \pm 25$  °F). Install a temperature gauge capable of measuring temperature to within 3 °C (5.4 °F) at the exit end of the filter holder so that the sample gas temperature can be regulated and monitored during sampling. The tester may use systems other than the one shown in APTD-0591.

2.1.3 Impingers. Four impingers connected in series with leak-free ground-glass fittings or any similar leak-free noncontaminating fittings. For the first, third, and fourth impingers, use the Greenburg-Smith design, modified by replacing the tip with a 1.3-cm-ID (0.5 in.) glass tube extending to about 1.3 cm (0.5 in.) from the bottom of the flask. For the second impinger, use the Greenburg-Smith design with the standard tip. The tester may use modifications (e.g., flexible connections between the impingers, materials other than glass, or flexible vacuum lines to connect the filter holder to the condenser), subject to the approval of the Administrator.

Place a thermometer, capable of measuring temperature to within 1 °C (2 °F), at the outlet of the fourth impinger for monitoring purposes.

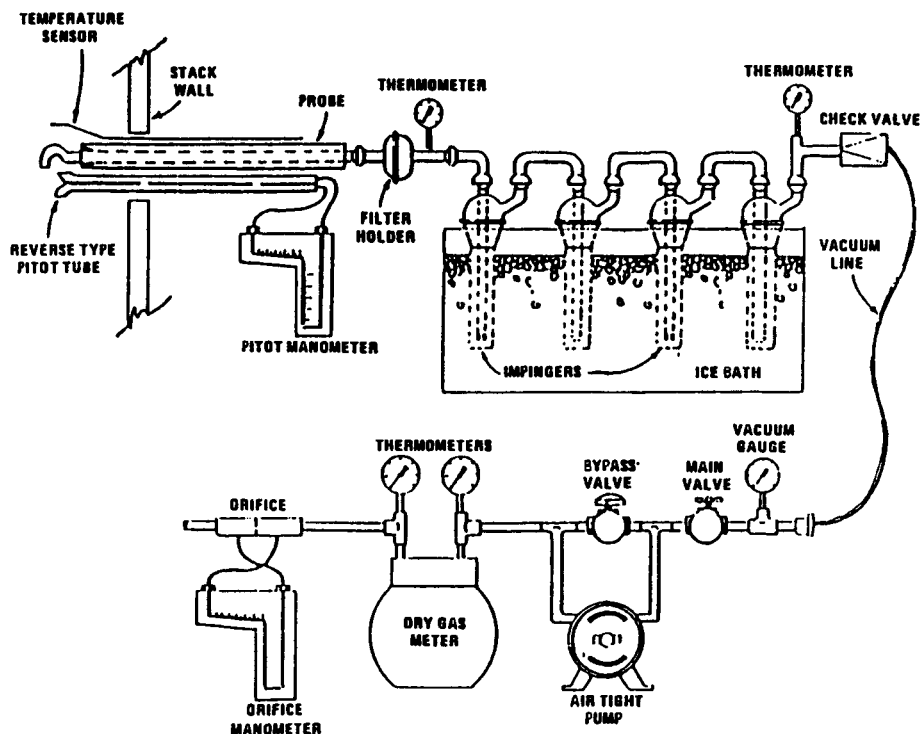


Figure 108-1. Arsenic sampling train.

2.2 Sample Recovery. The following items are needed:

2.2.1 Probe-Liner and Probe-Nozzle Brushes, Petri Dishes, Graduated Cylinder or Balance, Plastic Storage Containers, Rubber Policeman, and Funnel. Same as Method 5, Sections 2.2.1 and 2.2.4 to 2.2.8, respectively.

2.2.2 Wash Bottles. Polyethylene (2).

2.2.3 Sample Storage Containers. Chemically resistant, polyethylene or polypropylene for glassware washes, 500- or 1000-ml.

2.3 Analysis. The following equipment is needed:

2.3.1 Spectrophotometer. Equipped with an electrodeless discharge lamp and a background corrector to measure absorbance at 193.7 nm. For measuring samples having less than  $10 \mu\text{g As/ml}$ , use a vapor generator accessory or a graphite furnace.

2.3.2 Recorder. To match the output of the spectrophotometer.

2.3.3 Beakers. 150-ml.

2.3.4 Volumetric Flasks. Glass 50-, 100-, 200-, 500-, and 1000-ml; and polypropylene, 50-ml.

2.3.5 Balance. To measure within 0.5 g.

2.3.6 Volumetric Pipets. 1-, 2-, 3-, 5-, 8-, and 10-ml.

2.3.7 Oven.

2.3.8 Hot Plate.

### 3. Reagents

Unless otherwise specified, use American Chemical Society reagent grade (or equivalent) chemicals throughout.

3.1 Sampling. The reagents used in sampling are as follows:

3.1.1 Filters. Same as Method 5 except that the filters need not be unreactive to  $\text{SO}_2$ .

3.1.2 Silica Gel, Crushed Ice, and Stopcock Grease. Same as Method 5, Sections 3.1.2, 3.1.4, and 3.1.5, respectively.

3.1.3 Water. Deionized distilled to meet American Society for Testing and Materials Specification D 1133-74, Type 3 (incorporated by reference—see §60.17). When high concentrations of organic matter are not expected to be present, the analyst may omit the  $\text{KMnO}_4$  test for oxidizable organic matter.

3.2 Sample Recovery. 0.1 N sodium hydroxide (NaOH) is required. Dissolve 4.00 g of NaOH in about 500 ml of water in a 1-liter volumetric flask. Then, dilute to exactly 1.0 liter with water.

3.3 Analysis. The reagents needed for analysis are as follows:

3.3.1 Water. Same as 3.1.3.

3.3.2 Sodium Hydroxide, 0.1 N. Same as 3.2.

3.3.3 Sodium Borohydride ( $\text{NaBH}_4$ ), 5 Percent (W/V). Dissolve 5.00 g of  $\text{NaBH}_4$  in about 500 ml of 0.1 N NaOH in a 1-liter volumetric flask. Then, dilute to exactly 1.0 liter with 0.1 N NaOH.

3.3.4 Hydrochloric Acid (HCl), Concentrated.

3.3.5 Potassium Iodide (KI), 30 Percent (W/V). Dissolve 300 g of KI in 500 ml of water in a 1-liter volumetric flask. Then, dilute to exactly 1.0 liter with water.

3.3.6 Nitric Acid ( $\text{HNO}_3$ ), Concentrated.

3.3.7 Nitric Acid, 0.8 N. Dilute 52 ml of concentrated  $\text{HNO}_3$  to exactly 1.0 liter with water.

3.3.8 Nitric Acid, 50 Percent (V/V). Add 50 ml concentrated  $\text{HNO}_3$  to 50 ml water.

3.3.9 Stock Arsenic Standard, 1 mg As/ml. Dissolve 1.3203 g of primary standard grade  $\text{As}_2\text{O}_3$  in 20 ml of 0.1 N NaOH in a 150-ml beaker. Slowly add 30 ml of concentrated  $\text{HNO}_3$ . Heat the resulting solution and evaporate just to dryness. Transfer the residue quantitatively to a 1-liter volumetric flask and dilute to 1.0 liter with water.

3.3.10 Arsenic Working Solution, 1.0  $\mu\text{g}$  As/ml. Pipet exactly 1.0 ml of stock arsenic standard into an acid-cleaned, appropriately labeled 1-liter volumetric flask containing about 500 ml of water and 5 ml of concentrated  $\text{HNO}_3$ . Dilute to exactly 1.0 liter with water.

3.3.11 Air. Suitable quality for atomic absorption analysis.

3.3.12 Acetylene. Suitable quality for atomic absorption analysis.

3.3.13 Nickel Nitrate, 5 Percent (W/V). Dissolve 24.780 g of nickel nitrate hexahydrate in water in a 100-ml volumetric flask and dilute to 100 ml with water.

3.3.14 Nickel Nitrate, 1 Percent (W/V). Pipet 20 ml of 5 percent nickel nitrate solution into a 100-ml volumetric flask and dilute to exactly 100 ml with water.

3.3.15 Hydrogen Peroxide, 3 Percent. Pipet 50 ml of 30 percent hydrogen peroxide into a 500 ml volumetric flask and dilute to exactly 500 ml with water.

3.3.16 Quality Assurance Audit Samples. Arsenic samples prepared by the Environmental Protection Agency's (EPA) Environmental Systems Laboratory, Quality Assurance Division, Source Branch, Mail Drop 77A, Research Triangle Park, North Carolina 27711. Each set will consist of two vials of unknown concentrations. Only when making compliance determinations, obtain an audit sample set from the Quality Assurance Management Office at each EPA regional office or the responsible enforcement office. (Note: The tester should notify the Quality Assurance Office or the responsible enforcement agency at least 30 days prior to the test date to allow sufficient time for delivery.)

#### 4. Procedure

4.1 Sampling. Because of the complexity of this method, testers must be trained and experienced with the test procedures in order to obtain reliable results.

4.1.1 Pretest Preparation. Follow the general procedure given in Method 5, Section 4.1.1, except the filter need not be weighed.

4.1.2 Preliminary Determinations. Follow the general procedure given in Method 5, Section 4.1.2, except select the nozzle size to maintain isokinetic sampling rates below 28 liters/min (1.0 cfm).

4.1.3 Preparation of Collection Train. Follow the general procedure given in Method 5, Section 4.1.3.

4.1.4 Leak-Check Procedures. Follow the leak-check procedures given in Method 5, Sections 4.1.4.1 (Pretest Leak-Check), 4.1.4.2 (Leak-Checks During Sample Run), and 4.1.4.3 (Post-Test Leak-Check).

4.1.5 Arsenic Train Operation. Follow the general procedure given in Method 5, Section 4.1.5, except maintain a temperature of 107° to 135° C (225° to 275° F) around the filter and maintain isokinetic sampling flow rates below 28 liters/min (1.0 cfm). For each run, record the data required on a data sheet such as the one shown in Figure 108-2m.

4.1.6 Calculation of Percent Isokinetic. Same as Method 5, Section 4.1.6.



b. Weigh the impinger and liquid to within  $\pm 0.5$  g. Record in the log the weight of liquid along with a notation of any color or film observed in the impinger catch. The weight of liquid is needed along with the silica gel data to calculate the stack gas moisture content.

c. Rotate and agitate each impinger, using the impinger contents as a rinse solution.

d. Transfer the liquid to Container Number 4. Remove the outlet ball-joint cap, and drain the contents through this opening. Do not separate the impinger parts (inner and outer tubes) while transferring their contents to the cylinder.

e. (Note: In Steps e and f below, measure and record the total amount of 0.1 N NaOH used for rinsing.) Pour approximately 30 ml of 0.1 N NaOH into each of the first two impingers, and agitate the impingers. Drain the 0.1 N NaOH through the outlet arm of each impinger into Container Number 4. Repeat this operation a second time; inspect the impingers for any abnormal conditions.

f. Wipe the ball joints of the glassware connecting the impingers and the back half of the filter holder free of silicone grease, and rinse each piece of glassware twice with 0.1 N NaOH; transfer this rinse into Container Number 4. (DO NOT RINSE or brush the glass-fritted filter support.) Mark the height of the fluid level to determine whether leakage occurs during transport. Label the container to identify clearly its contents.

4.2.1 Blanks. Save a portion of the 0.1 N NaOH used for cleanup as a blank. Take 200 ml of this solution directly from the wash bottle being used and place it in a plastic sample container labeled "NaOH blank." Also save a sample of the water, and place it in a container labeled "H<sub>2</sub>O blank."

#### 4.3 Arsenic Sample Preparation.

4.3.1 Container Number 1 (Filter). Place the filter and loose particulate matter in a 150-ml beaker. Also, add the filtered material from Container Number 2 (see Section 4.3.3). Add 50 ml of 0.1 N NaOH. Then stir and warm on a hot plate at low heat (do not boil) for about 15 minutes. Add 10 ml of concentrated HNO<sub>3</sub>, bring to a boil, then simmer for about 15 minutes. Filter the solution through a glass fiber filter. Wash with hot water, and catch the filtrate in a clean 150-ml beaker. Boil the filtrate, and evaporate to dryness. Cool, add 5 ml of 50 percent HNO<sub>3</sub>, and then warm and stir. Allow to cool. Transfer to a 50-ml volumetric flask, dilute to volume with water, and mix well.

4.3.2 Container Number 4 (Arsenic Impinger Sample).

Note: Prior to analysis, check the liquid level in Containers Number 2 and Number 4; confirm as to whether leakage occurred during transport on the analysis sheet. If a noticeable amount of leakage occurred, either void the sample or take steps, subject to the

approval of the Administrator, to adjust the final results.

Transfer the contents of Container Number 4 to a 500-ml volumetric flask, and dilute to exactly 500 ml with water. Pipet 50 ml of the solution into a 150-ml beaker. Add 10 ml of concentrated HNO<sub>3</sub>, bring to a boil, and evaporate to dryness. Allow to cool, add 5 ml of 50 percent HNO<sub>3</sub>, and then warm and stir. Allow the solution to cool, transfer to a 50-ml volumetric flask, dilute to volume with water, and mix well.

4.3.3 Container Number 2 (Probe Wash). See note in 4.3.2 above. Filter (using a glass fiber filter) the contents of Container Number 2 into a 200-ml volumetric flask. Combine the filtered material with the contents of Container Number 1 (Filter).

Dilute the filtrate to exactly 200 ml with water. Then pipet 50 ml into a 150-ml beaker. Add 10 ml of concentrated HNO<sub>3</sub>, bring to a boil, and evaporate to dryness. Allow to cool, add 5 ml of 50 percent HNO<sub>3</sub>, and then warm and stir. Allow the solution to cool, transfer to a 50-ml volumetric flask, dilute to volume with water, and mix well.

4.3.4 Filter Blank. Determine a filter blank using two filters from each lot of filters used in the sampling. Cut each filter into strips, and treat each filter individually as directed in Section 4.3.1, beginning with the sentence, "Add 50 ml of 0.1 N NaOH."

4.3.5 0.1 N NaOH and Water Blanks. Treat separately 50 ml of 0.1 N NaOH and 50 ml water, as directed under Section 4.3.2, beginning with the sentence, "Pipet 50 ml of the solution into a 150-ml beaker."

4.4 Spectrophotometer Preparation. Turn on the power; set the wavelength, slit width, and lamp current; and adjust the background corrector as instructed by the manufacturer's manual for the particular atomic absorption spectrophotometer. Adjust the burner and flame characteristics as necessary.

#### 4.5 Analysis.

4.5.1 Arsenic Determination. Prepare standard solutions as directed under Section 5.1, and measure their absorbances against 0.8 N HNO<sub>3</sub>. Then, determine the absorbances of the filter blank and each sample using 0.8 N HNO<sub>3</sub> as a reference. If the sample concentration falls outside the range of the calibration curve, make an appropriate dilution with 0.8 N HNO<sub>3</sub> so that the final concentration falls within the range of the curve. Determine the arsenic concentration in the filter blank (i.e., the average of the two blank values from each lot). Next, using the appropriate standard curve, determine the arsenic concentration in each sample fraction.

4.5.1.1 Arsenic Determination at Low Concentration. The lower limit of flame atomic absorption spectrophotometry is 10  $\mu$ g As/ml. If the arsenic concentration of any sample is at a lower level, use the graphite furnace or vapor generator which is available as an accessory component. The analyst also

has the option of using either of these accessories for samples whose concentrations are between 10 and 30  $\mu$  g/ml. Follow the manufacturer's instructions in the use of such equipment.

4.5.1.1.1 Vapor Generator Procedure. Place a sample containing between 0 and 5  $\mu$  g of arsenic in the reaction tube, and dilute to 15 ml with water. Since there is some trial and error involved in this procedure, it may be necessary to screen the samples by conventional atomic absorption until an approximate concentration is determined. After determining the approximate concentration, adjust the volume of the sample accordingly. Pipet 15 ml of concentrated HCl into each tube. Add 1 ml of 30 percent KI solution. Place the reaction tube into a 50° C water bath for 5 minutes. Cool to room temperature. Connect the reaction tube to the vapor generator assembly. When the instrument response has returned to baseline, inject 5.0 ml of 5 percent NaBH<sub>4</sub>, and integrate the resulting spectrophotometer signal over a 30-second time period.

4.5.1.1.2 Graphite Furnace Procedure. Dilute the digested sample so that a 5-ml aliquot contains less than 1.5  $\mu$  g of arsenic. Pipet 5 ml of this digested solution into a 10-ml volumetric flask. Add 1 ml of the 1 percent nickel nitrate solution, 0.5 ml of 50 percent HNO<sub>3</sub>, and 1 ml of the 3 percent hydrogen peroxide and dilute to 10 ml with water. The sample is now ready to inject in the furnace for analysis.

Because instruments from different manufacturers are different, no detailed operating instructions will be given here. Instead, the analyst should follow the instructions provided with his particular instrument.

4.5.1.2 Check for Matrix Effects on the Arsenic Results. Same as Method 12, Section 5.4.2.

4.5.2 Container Number 3 (Silica Gel). The tester may conduct this step in the field. Weigh the spent silica gel (or silica gel plus impinger) to the nearest 0.5 g; record this weight.

4.6 Audit Analysis. Concurrently, analyze the two unknown audit samples with each set of compliance samples to evaluate the techniques of the analyst and the standards preparation. (Note: It is recommended that known quality control samples be analyzed prior to the compliance and audit sample analysis to optimize the system's accuracy and precision. One source of these samples is the Source Branch listed in Section 3.3.16.) The same analyst, analytical reagents, and analytical system shall be used both for each set or sets of compliance samples and the EPA audit samples; if this condition is met, audit samples need not be included with any additional compliance analyses performed within the succeeding 30-day period for the same enforcement agency. An audit sample set may not be used to validate different sets

of compliance samples under the jurisdiction of different enforcement agencies unless prior arrangements are made with both enforcement agencies.

Calculate the concentration in g/m<sup>3</sup> using the specified sample volume in the audit instructions. (Note: The analyst may determine immediately whether the audit analyses acceptable by reporting the audit results in g/m<sup>3</sup> and compliance results in  $\mu$ g/ml by telephone). Include the results of both audit samples, their identification numbers, and the analysts' names with the results of the compliance determination samples in appropriate reports to the EPA regional office or the appropriate enforcement agency. Include this information with subsequent compliance analyses for the same enforcement agency during the succeeding 30-day period.

#### 5. Calibration

Maintain a laboratory log of all calibrations.

5.1 Standard Solutions. For the high level procedure pipet 1, 3, 5, 8, and 10 ml of the 1.0-mg As/ml stock solution into separate 100-ml volumetric flasks, each containing 5 ml of concentrated HNO<sub>3</sub>. If the low level vapor generator procedure is used, pipet 1, 2, 3, and 5 ml of 1.0  $\mu$ g As/ml standard solution into the separate reaction tubes. For the low level graphite furnace procedure, pipet 1, 5, 10 and 15 ml of 1.0  $\mu$ g As/ml standard solution into the separate flasks along with 2 ml of the 5 percent nickel nitrate solution and 10 ml of the 3 percent hydrogen peroxide solution. Dilute to the mark with water. Then treat the standards in the same manner as the samples (Section 4.5.1).

Check these absorbances frequently against 0.8 N HNO<sub>3</sub> (reagent blank) during the analysis to insure that base-line drift has not occurred. Prepare a standard curve of absorbance versus concentration. (Note: For instruments equipped with direct concentration readout devices, preparation of a standard curve will not be necessary.) In all cases, follow calibration and operational procedures in the manufacturers' instruction manual.

5.2 Sampling Train Calibration. Calibrate the sampling train components according to the indicated Sections of Method 5: Probe Nozzle (Section 5.1), Pitot Tube Assembly (Section 5.2), Metering System (Section 5.3), Probe Heater (Section 5.4), Temperature Gauges (Section 5.5), Leak Check of Metering System (Section 5.6), and Barometer (Section 5.7).

#### 6. Calculations

##### 6.1 Nomenclature—

B<sub>ws</sub> = Water in the gas stream, proportion by volume.

C<sub>a</sub> = Concentration of arsenic as read from the standard curve,  $\mu$ g/ml.

C<sub>c</sub> = Actual audit concentration, g/m<sup>3</sup>.

C<sub>d</sub> = Determined audit concentration, g/m<sup>3</sup>.

$C_s$  = Arsenic concentration in stack gas, dry basis, converted to standard conditions, g/dsm<sup>3</sup> (g/dscf).

$E_a$  = Arsenic mass emission rate, g/hr.

$F_d$  = Dilution factor (equals 1 if the sample has not been diluted).

$I$  = Percent of isokinetic sampling.

$m_{bi}$  = Total mass of all four impingers and contents before sampling, g.

$m_{fi}$  = Total mass of all four impingers and contents after sampling, g.

$m_n$  = Total mass of arsenic collected in a specific part of the sampling train,  $\mu$ g.

$m_t$  = Total mass of arsenic collected in the sampling train,  $\mu$ g.

$T_m$  = Absolute average dry gas meter temperature (see Figure 108-2), °K (°R).

$V_m$  = Volume of gas sample as measured by the dry gas meter, dm<sup>3</sup> (dcf).

$V_{m(std)}$  = Volume of gas sample as measured by the dry gas meter correlated to standard conditions, sm<sup>3</sup> (scf).

$V_n$  = Volume of solution in which the arsenic is contained, ml.

$V_{w(std)}$  = Volume of water vapor collected in the sampling train, corrected to standard conditions, sm<sup>3</sup> (scf).

$\Delta H$  = Average pressure differential across the orifice meter (see Figure 108-2), mm H<sub>2</sub>O (in. H<sub>2</sub>O).

6.2 Average dry gas meter temperatures ( $T_m$ ) and average orifice pressure drop ( $\Delta H$ ). See data sheet (Figure 108-2).

6.3 Dry Gas Volume. Using data from this test, calculate  $V_{m(std)}$  by using Eq. 5-1 of Method 5. If necessary, adjust the volume for leakages.

6.4 Volume of Water Vapor.

$$V_{w(std)} = K_1 (m_{fi} - m_{bi}) \quad \text{Eq. 108-1}$$

Where:

$K_1 = 0.001334 \text{ m}^3/\text{g}$  for metric units.  
 $= 0.047012 \text{ ft}^3/\text{g}$  for English units.

6.5 Moisture Content.

$$B_{ws} = \frac{V_{w(std)}}{V_{m(std)} + V_{w(std)}} \quad \text{Eq. 108-2}$$

6.6 Amount of arsenic collected.

6.6.1 Calculate the amount of arsenic collected in each part of sampling train, as follows:

$$m_n = C_a F_d V_n \quad \text{Eq. 108-3}$$

6.6.2 Calculate the total amount of arsenic collected in the sampling train as follows:

$$m_t = m_n(\text{filters}) + m_n(\text{probe}) + m_n(\text{impingers}) \\ - m_n(\text{filter blank}) - m_n(\text{NaOH}) - m_n(\text{H}_2\text{O}) \quad \text{Eq. 108-4}$$

6.7 Calculate the arsenic concentration in the stack gas (dry basis, adjusted to standard conditions) as follows:

$$C_s = K_2 (m_t / V_{m(std)}) \quad \text{Eq. 108-5}$$

Where:

$$K_2 = 10^{-6} \text{ g}/\mu \text{ g}$$

6.8 Pollutant Mass Rate. Calculate the arsenic mass emission rate using the following equation.

$$E_a = C_s Q_{sd} \quad \text{Eq. 108-6}$$

The volumetric flow rate,  $Q_{sd}$ , should be calculated as indicated in Method 2.

6.9 Isokinetic Variation. Using data from this test, calculate  $I$ . Use Eq. 5-8 of Method 5.

6.10 Acceptable Results. Same as Method 5, Section 6.12.

6.11 Relative Error (RE) for QA Audits, Percent.

$$RE = \frac{C_d - C_c}{C_c} \times 100 \quad \text{Eq. 108-7}$$

## 7. Bibliography

1. Same as Citations 1 through 9 of Section 7, of Method 5.

2. Perkin Elmer Corporation. Analytical Methods for Atomic Absorption Spectrophotometry. 303-0152. Norwalk, Connecticut. September 1976. pp. 5-6.

3. Standard Specification for Reagent Water. In: Annual Book of American Society for Testing and Materials Standards. Part 31: Water, Atmospheric Analysis. American Society for Testing and Materials. Philadelphia, PA. 1974. pp. 40-42.

METHOD 108A—DETERMINATION OF ARSENIC CONTENT IN ORE SAMPLES FROM NON-FERROUS SMELTERS

### 1. Applicability and Principle

1.1 Applicability. This method applies to the determination of inorganic arsenic (As) content of process ore and reverberatory matte samples from nonferrous smelters and other sources as specified in the regulations.

1.2 Principle. Arsenic bound in ore samples is liberated by acid digestion and analyzed by atomic absorption spectrophotometry.

### 2. Apparatus

#### 2.1 Sample Preparation

2.1.1 Parr Acid Digestion Bomb. Stainless steel with vapor-tight Teflon cup and cover.

2.1.2 Volumetric Pipets. 2- and 5-ml sizes.

2.1.3 Volumetric Flask. 50-ml polypropylene with screw caps, (one needed per standard).

2.1.4 Funnel. Polyethylene or polypropylene.

2.1.5 Oven. Capable of maintaining a temperature of approximately 105° C.

2.1.6 Analytical Balance. To measure to within 0.1 mg.

#### 2.2 Analysis.

2.2.1 Spectrophotometer and Recorder. Equipped with an electrodeless discharge lamp and a background corrector to measure

absorbance at 193.7 nm. A graphite furnace may be used in place of the vapor generator accessory when measuring samples with low As levels. The recorder shall match the output of the spectrophotometer.

2.2.2 Volumetric Flasks. Class A, 50-ml (one needed per sample and blank).

2.2.3 Volumetric Pipets. Class A, 1-, 5-, 10-, and 25-ml sizes.

### 3. Reagents

Unless otherwise specified, use ACS reagent grade (or equivalent) chemicals throughout.

#### 3.1 Sample Preparation.

3.1.1 Water. Deionized distilled to meet American Society for Testing and Materials Specification D-1193-74, Type 3 (incorporated by reference—See §60.7). When high concentrations of organic matter are not expected to be present, the analyst may omit the  $KIInO_4$  test for oxidizable organic matter. Use in all dilutions requiring water.

3.1.2 Nitric Acid ( $HNO_3$ ), Concentrated. HANDLE WITH CAUTION.

3.1.3 Nitric Acid, 0.5 N. In a 1-liter volumetric flask containing water, add 32 ml of concentrated  $HNO_3$  and dilute to volume with water.

3.1.4 Hydrofluoric Acid (HF), Concentrated. HANDLE WITH CAUTION.

3.1.5 Potassium Chloride (KCl) Solution, 10 percent (w/v). Dissolve 10 g KCl in water, add 3 ml concentrated  $HNO_3$ , and dilute to 100 ml.

3.1.6 Filter. Teflon filters, 3 micron porosity, 47mm size. (Available from Millipore Co., type FS, Catalog Number FSLW04700.)

3.1.7 Sodium Borohydride ( $NaBH_4$ ), 5 Percent (W/V). Dissolve 5.00 g of  $NaBH_4$  in about 500 ml of 0.1 NaOH in a 1-liter volumetric flask. Then, dilute to exactly 1.0 liter with 0.1 NaOH.

3.1.8 Nickel Nitrate, 5 Percent (W/V). Dissolve 24.780 g of nickel nitrate hexahydrate in water in a 100-ml volumetric flask and dilute to 100 ml with water.

3.1.9 Nickel Nitrate, 1 percent (W/V). Pipet 20 ml of 5 percent nickel nitrate solution into a 100-ml volumetric flask and dilute to 100 ml with water.

#### 3.2 Analysis.

3.2.1 Water. Same as in Section 3.1.1.

3.2.2 Sodium Hydroxide (NaOH), 0.1 N. Dissolve 2.00 g of NaOH in water in a 500-ml volumetric flask. Dilute to volume with water.

3.2.3 Nitric Acid, 0.5 N. Same as in Section 3.1.3.

3.2.4 Potassium Chloride Solution, 10 percent. Same as in Section 3.1.5.

3.2.5 Stock Arsenic Standard, 1 mg As/ml. Dissolve 1.320 g of primary grade  $As_2O_3$  in 20 ml of 0.1 N NaOH. Slowly add 30 ml of concentrated  $HNO_3$ , and heat in an oven at 105° C for 2 hours. Allow to cool, and dilute to 1 liter with deionized distilled water.

3.2.6 Nitrous Oxide. Suitable quality for atomic absorption analysis.

3.2.7 Acetylene. Suitable quality for atomic absorption analysis.

3.2.8 Quality Assurance Audit Samples. Arsenic samples prepared by the Environmental Protection Agency's (EPA) Environmental Systems Laboratory, Quality Assurance Division, Source Branch, Mail Drop 77A, Research Triangle Park, North Carolina 27711. Each set will consist of two vials of unknown concentrations. Only when making compliance determinations, obtain an audit sample set from the Quality Assurance Management Office at each EPA regional office or the responsible enforcement office. (NOTE: The tester should notify the Quality Assurance Office or the responsible enforcement agency at least 30 days prior to the test date to allow sufficient time for delivery.)

### 4. Procedure

4.1 Sample Collection. A sample that is representative of the ore lot to be tested must be taken prior to analysis. The sample must be ground into a finely pulverized state. (A portion of the samples routinely collected for metals analysis may be used provided the sample is representative of the ore being tested.)

4.2 Sample Preparation. Weigh 50 to 500 mg of finely pulverized sample to the nearest 0.1 mg. Transfer the sample into the Teflon cup of the digestion bomb, and add 2 ml each of concentrated  $HNO_3$  and HF. Seal the bomb immediately to prevent the loss of any volatile arsenic compounds that may form. Heat in an oven 105 °C for 2 hours. Then remove the bomb from the oven and allow it to cool. Using a Teflon filter, quantitatively filter the digested sample into a 50-ml polypropylene volumetric flask. Rinse the bomb three times with small portions of 0.5 N  $HNO_3$ , and filter the rinses into the flask. Add 5 ml of KCl solution to the flask, and dilute to 50 ml with 0.5 N  $HNO_3$ .

4.3 Spectrophotometer Preparation. Turn on the power; set the wavelength, slit width, and lamp current; and adjust the background corrector as instructed by the manufacturer's manual for the particular atomic absorption spectrophotometer. Adjust the burner and flame characteristics as necessary.

4.4 Preparation of Standard Solutions. Pipet 1, 5, 10, and 25 ml of the stock As solution into separate 100-ml volumetric flasks. Add 10 ml KCl solution and dilute to the mark with 0.5 N  $HNO_3$ . This will give standard concentrations of 10, 50, 100, and 250 µg As/ml. For low-level-arsenic samples that require the use of a graphite furnace or vapor generator, follow the procedures in Section 4.4.1.



Dilute 10 ml of KCl solution to 100 ml with 0.5 N HNO<sub>3</sub> and use as a reagent blank. Measure the standard absorbances against the reagent blank. Check these absorbances frequently against the blank during the analysis to assure that baseline drift has not occurred.

Prepare a standard curve of absorbance versus concentration. (Note: For instruments equipped with direct concentration readout devices, preparation of a standard curve will not be necessary.) In all cases follow calibration and operational procedures in the manufacturer's instruction manual. Maintain a laboratory log of all calibrations.

4.4.1 Arsenic Determination at Low Concentration. The lower limit of flame atomic absorption spectrophotometry is 10 µg As/ml. If the arsenic concentration of any sample is at a lower level, use the vapor generator or graphite furnace which is available as an accessory component. Follow the manufacturer's instructions in the use of such equipment.

4.4.1.1 Vapor Generator Procedure. Place a sample containing between 0 and 5 µg of arsenic in the reaction tube, and dilute to 15 ml with water. Since there is some trial and error involved in this procedure, it may be necessary to screen the samples by conventional atomic absorption until an approximate concentration is determined. After determining the approximate concentration, adjust the volume of the sample accordingly. Pipet 15 ml of concentrated HCl into each tube. Add 1 ml of 30 percent KI solution. Place the reaction tube into a 50 °C water bath for 5 minutes. Cool to room temperature. Connect the reaction tube to the vapor generator assembly. When the instrument response has returned to baseline, inject 5.0 ml of 5 percent NaBH<sub>4</sub> and integrate the resulting spectrophotometer signal over a 30-second time period.

4.4.1.2 Graphite Furnace Procedure. Pipet 5 ml of this digested solution into a 10-ml volumetric flask. Add 1 ml of the 1 percent nickel nitrate solution, 0.5 ml of 50 percent HNO<sub>3</sub>, and 1 ml of the 3 percent hydrogen peroxide and dilute to 10 ml with water. The sample is now ready to inject in the furnace for analysis.

Because instruments from different manufacturers are different, no detailed operating instructions are given here. Instead, the analyst should follow the instructions provided with the particular instrument.

#### 4.5 Analysis.

4.5.1 Arsenic Determination. Determine the absorbance of each sample using the blank as a reference. If the sample concentration falls outside the range of the calibration curve, make an appropriate dilution with 0.5 N HNO<sub>3</sub> so that the final concentration falls within the range of the curve. From the curve, determine the As concentration in each sample.

4.5.2 Mandatory Check for Matrix Effects on the Arsenic Results. Same as in Method 12, Section 5.4.2.

4.5.3 Audit analysis. With each set or sets of source compliance samples, analyze the two unknown audit samples in the same manner as the source samples to evaluate the techniques of the analyst and the standards preparation. The same analyst, analytical reagents, and analytical system shall be used both for each set or sets of compliance samples and the EPA audit samples; if this condition is met, it is not necessary to analyze additional audit samples for subsequent compliance analyses performed for the same enforcement agency within a 30-day period. An audit sample set may not be used to validate different sets of compliance samples under the jurisdiction of different enforcement agencies unless prior arrangements are made with both enforcement agencies.

Calculate the concentration in g/m<sup>3</sup> using the specified sample volume in the audit instructions. (Note: The acceptability of the analyses of the audit samples may be obtained immediately by reporting the audit and compliance results by telephone). Include the results of both audit samples, their identification numbers, and the analysts' names with the results of the compliance determination samples in appropriate reports to the EPA regional office or the appropriate enforcement agency. Include this information with subsequent compliance analyses for the same enforcement agency during the succeeding 30-day period.

#### 5. Calculations

5.1 Calculate the percent arsenic in the ore sample as follows:

$$\% \text{ AS} = \frac{5 C_a F_d}{W} \quad \text{Eq. 108A-1}$$

Where:

C<sub>a</sub>=Concentration of As as read from the standard curve, µg/ml.

F<sub>d</sub>=Dilution factor (equals 1 if the sample has not been diluted).

W=Weight of ore sample analyzed, mg.

5=(50 ml sample×100)/(10<sup>3</sup> µg/mg).

#### 6. Bibliography

1. Same as Citations 1 through 9 of Section 7, of Method 5.

2. Perkin Elmer Corporation. Analytical methods of Atomic Absorption Spectrophotometry. 303-0152. Norwalk, Connecticut. September 1976. pp 5-6.

3. Ringwald, D. (TRW). Arsenic Determination on Process Materials from ASARCO's Copper Smelter in Tacoma, Washington. Unpublished Report. Prepared for Emission Measurement Branch, Emission Standards and Engineering Division, U.S. Environmental Protection Agency, Research Triangle Park, North Carolina 27711. August 1980. 35 p.

METHOD 108B—DETERMINATION OF ARSENIC CONTENT IN ORE SAMPLES FROM NON-FERROUS SMELTERS

1. *Applicability and Principle*

1.1 *Applicability.* This method applies to the determination of inorganic arsenic (As) content of process ore and reverberatory matte samples from nonferrous smelters and other sources as specified in the regulations. Samples resulting in an analytical concentration greater than 10 µg As/ml may be analyzed by this method.

1.2 *Principle.* Arsenic bound in ore samples is liberated by acid digestion and analyzed by flame atomic absorption spectrophotometry.

2. *Apparatus*

2.1 *Sample Preparation.*

2.2.1 Teflon Beakers. 150-ml.

2.1.2 Graduated Pipets. 5-ml disposable.

2.1.3 Graduated Cylinder. 50-ml.

2.1.4 Volumetric Flask. 100-ml.

2.1.5 Analytical Balance. To measure within 0.1 mg.

2.1.6 Hot Plate.

2.1.7 Perchloric Acid Fume Hood.

2.2 *Analysis.*

2.2.1 Spectrophotometer. Equipped with an electrodeless discharge lamp and a background corrector to measure absorbance at 193.7 mm.

2.2.2 Beaker and Watch Glass. 400-ml.

2.2.3 Volumetric Flask. 1-liter.

2.2.4 Volumetric Pipets. 1-, 5-, 10-, and 25-ml.

3. *Reagents*

Unless otherwise specified, use American Chemical Society (ACS) reagent grade (or equivalent) chemicals throughout.

3.1 *Sample Preparation.*

3.1.1 Water. Deionized distilled to meet American Society for Testing and Materials Specification D 1193-74, Type 3 (incorporated by reference—see §61.18).

3.1.2 Nitric Acid (HNO<sub>3</sub>), Concentrated. HANDLE WITH CAUTION.

3.1.3 Hydrofluoric Acid (HF), Concentrated. HANDLE WITH CAUTION.

3.1.4 Perchloric Acid (HClO<sub>4</sub>), 70 Percent. HANDLE WITH CAUTION.

NOTE: Because of its caustic, hygroscopic, and deflagrating nature, use extreme care in handling HClO<sub>4</sub>. Keep separate from water and oxidizable materials to prevent vigorous evolution of heat, spontaneous combustion, or explosion. Heat solutions containing HClO<sub>4</sub> only in hoods specifically designed for HClO<sub>4</sub>.

3.1.5 Hydrochloric Acid (HCl), Concentrated. HANDLE WITH CAUTION.

3.2 *Analysis.*

3.2.1 Water. Same as in Section 3.1.1.

3.2.2 Stock Arsenic Standard, 1.0 mg As/ml. Dissolve 1.3203 g of primary grade As<sub>2</sub>O<sub>3</sub> (dried at 105 °C) in a 400-ml beaker with 10 ml

of HNO<sub>3</sub> and 5 ml HCl. Cover with a watch glass and heat gently until dissolution is complete. Add 10 ml of HNO<sub>3</sub> and 25 ml of HClO<sub>4</sub>, evaporate to strong fumes of HClO<sub>4</sub> and reduce to about 20 ml volume. Cool, add 100 ml of water and 100 ml of HCl, and transfer quantitatively to a 1-liter volumetric flask. Dilute to volume with water and mix.

3.2.3 Acetylene. Suitable quality for atomic absorption analysis.

3.2.4 Air. Suitable quality for atomic absorption analysis.

3.2.5 Quality Assurance Audit Samples. Same as in Method 108A, Section 3.2.8.

4. *Procedure*

4.1 *Sample Collection.* Same as in Method 108A, Section 4.1.

4.2 *Sample Preparation.* Weigh 100 to 1000 mg of finely pulverized sample to the nearest 0.1 mg. Transfer the sample to a 150-ml Teflon beaker. Dissolve the sample by adding 15 ml of HNO<sub>3</sub>, 10 ml of HCl, 10 ml of HF, and 10 ml of HClO<sub>4</sub> in the exact order as described, and let stand for 10 minutes. In a HClO<sub>4</sub> fume hood, heat on a hot plate until 2-3 ml of HClO<sub>4</sub> remain, then cool. Add 20 ml of water and 10 ml of HCl. Cover and warm until the soluble salts are in solution. Cool, and transfer quantitatively to 100-ml volumetric flask. Dilute to the mark with water.

4.3 *Spectrophotometer Preparation.* Same as in Method 108A, Section 4.3.

4.4 *Preparation of Standard Solutions.*

4.4.1 Pipet 1, 5, 10, and 25 ml of the stock As solution into separate 100-ml flasks. Add 2 ml of HClO<sub>4</sub>, 10 ml of HCl, and dilute to the mark with water. This will provide standard concentrations of 10, 50, 100, and 250 µg As/ml. For lower level arsenic samples, use Method 108C.

4.4.2 Measure the standard absorbances against the reagent blank. Check these absorbances frequently against the blank during the analysis to ensure that baseline drift has not occurred.

4.4.3 Prepare a standard curve of absorbance versus concentration.

NOTE—For instruments equipped with direct concentration readout devices, preparation of a standard curve will not be necessary. In all cases, follow calibration and operational procedures in the manufacturer's instruction manual. Maintain a laboratory log of all calibrations.

4.5 *Analysis.*

4.5.1 *Arsenic Determination.* Determine the absorbance of each sample using the blank as a reference. If the sample concentration falls outside the range of the calibration curve, make an appropriate dilution with 2 percent HClO<sub>4</sub>/10 percent HCl (prepared by diluting 2 ml concentrated HClO<sub>4</sub> and 10 ml concentrated HCl to 100 ml with water) so that the final concentration falls within the range of the curve. From the

## Environmental Protection Agency

## Pt. 61, App. B, Meth. 108C

curve, determine the As concentration in each sample.

4.5.2 Mandatory Check for Matrix Effects on the Arsenic Results. Same as in Method 12, Section 5.4.2, 40 CFR part 60.

4.5.3 Audit Analysis. Same as in Method 108A, Section 4.5.3.

### 5. Calculations

Same as in Method 108A, Section 5.

### 6. Bibliography

Same as in Method 108A, Section 6.

### METHOD 108C—DETERMINATION OF ARSENIC CONTENT IN ORE SAMPLES FROM NON-FERROUS SMELTERS

#### 1. Applicability and Principle

1.1 Applicability. This method applies to the determination of inorganic arsenic (As) content of process ore and reverberatory matte samples from nonferrous smelters and other sources as specified in the regulations. This method is applicable to samples having an analytical concentration less than 10 µg As/ml.

1.2 Principle. Arsenic bound in ore samples is liberated by acid digestion and analyzed by the molybdenum blue photometric procedure.

#### 2. Apparatus

2.1 Sample Preparation and Distillation.

2.1.1 Analytical Balance. To measure to within 0.1 mg.

2.1.2 Erlenmeyer Flask. 300-ml.

2.1.3 Hot Plate.

2.1.4 Distillation Apparatus. No. 6, American Society for Testing and Materials (ASTM) E50, reapproved 1986 (incorporated by reference—see §60.18); detailed in Figure 108C-1.

2.1.5 Graduated Cylinder. .50-ml.

2.1.6 Perchloric Acid Fume Hood.

2.2 Analysis.

2.2.1 Photometer. Capable of measuring at 660 nm.

2.2.2 Volumetric Flasks. 50- and 100-ml.

#### 3. Reagents

Unless otherwise specified, use ACS reagent grade (or equivalent chemicals) throughout.

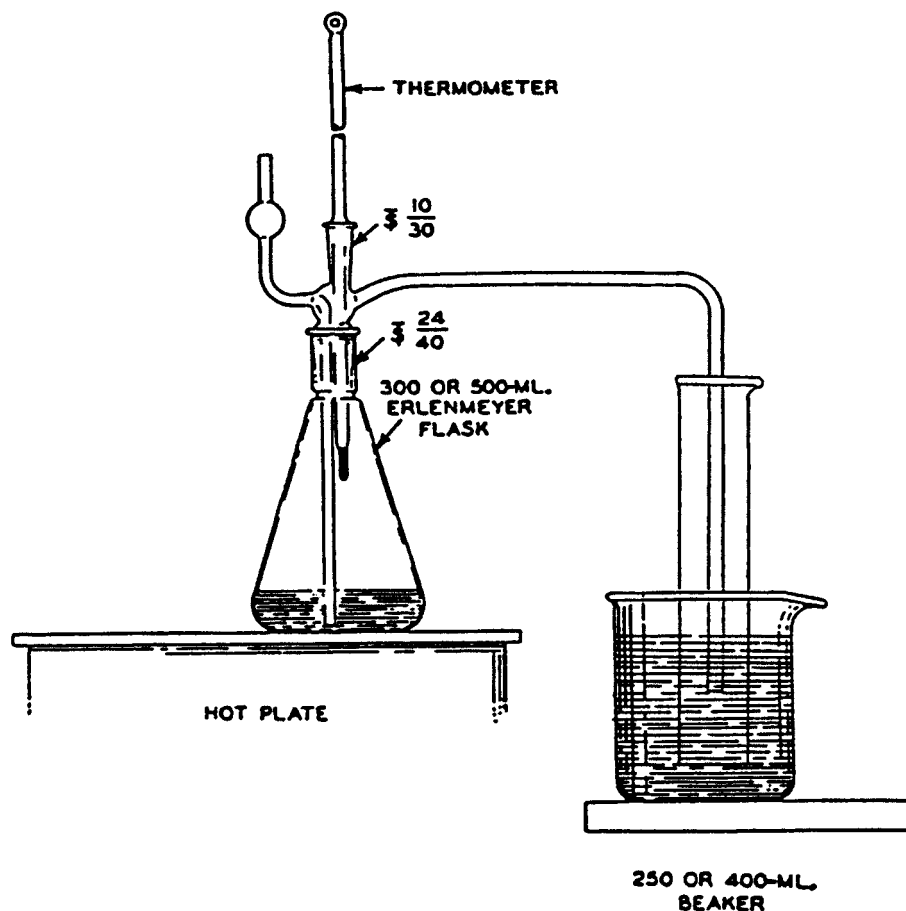


Figure 108C-1. Distillation apparatus.

### 3.1 Sample Preparation.

3.1.1 Water. Deionized distilled to meet ASTM Specification D 1193-74, Type 3 (incorporated by reference—see §61.18). When high concentrations of organic matter are not expected to be present, the analyst may omit the  $\text{KMnO}_4$  test for oxidizable organic matter.

3.1.2 Nitric Acid ( $\text{HNO}_3$ ), Concentrated. HANDLE WITH CAUTION.

3.1.3 Hydrofluoric Acid ( $\text{HF}$ ), Concentrated. HANDLE WITH CAUTION.

3.1.4 Sulfuric Acid ( $\text{H}_2\text{SO}_4$ ), Concentrated. HANDLE WITH CAUTION.

3.1.5 Perchloric Acid ( $\text{HClO}_4$ ), 70 Percent. HANDLE WITH CAUTION.

NOTE —Because of its caustic, hygroscopic, and deflagrating nature, use extreme care in handling  $\text{HClO}_4$ . Keep separate from water and oxidizable materials to prevent vigorous evolution of heat, spontaneous combustion, or explosion. Heat solutions containing  $\text{HClO}_4$  only in hoods specifically designed for  $\text{HClO}_4$ .

3.1.6 Hydrochloric Acid ( $\text{HCl}$ ), Concentrated. HANDLE WITH CAUTION.

3.1.7 Dilute Hydrochloric Acid. Add one part concentration  $\text{HCl}$  to nine parts water.

3.1.8 Hydrazine Sulfate [ $(\text{NH}_2)_2\cdot\text{H}_2\text{SO}_4$ ].

3.1.9 Potassium Bromide ( $\text{KBr}$ ).

3.1.10 Bromine Water, Saturated.

3.2 Analysis.

3.2.1 Water. Same as in Section 3.1.1.

3.2.2 Methyl Orange Solution, 1 g/liter.

3.2.3 Ammonium Molybdate Solution, 5 g/liter. Dissolve 0.5 g  $(\text{NH}_4)_2\text{Mo}_7\text{O}_{24}\cdot 4\text{H}_2\text{O}$  in water in a 100-ml volumetric flask, and dilute to the mark. This solution shall be freshly prepared.

3.2.4 Standard Arsenic Solution, 10  $\mu\text{g}$  As/ml. Dissolve 0.1320 g of  $\text{As}_2\text{O}_3$  in 100 ml HCl in a 1-liter volumetric flask. Add 200 ml of water, cool, dilute to the mark with water, and mix. Transfer 100 ml of this solution to a 1-liter volumetric flask, add 40 ml HCl, cool, dilute to the mark, and mix.

3.2.5 Hydrazine Sulfate Solution, 1 g/liter. Dissolve 0.1 g of  $(\text{NH}_2)_2\text{H}_2\text{SO}_4$  in water, and dilute to 100 ml in a volumetric flask. This solution shall be freshly prepared.

3.2.6 Potassium Bromate ( $\text{KBrO}_3$ ) Solution, 0.03 Percent. Dissolve 0.3 g  $\text{KBrO}_3$  in water, and dilute to 1 liter with water.

3.2.7 Ammonium Hydroxide ( $\text{NH}_4\text{OH}$ ), Concentrated.

3.2.8 Boiling Granules.

3.2.9 1/1 HCl/Water. Dilute equal parts concentrated HCl with water.

3.2.10 Quality Assurance Audit Samples. Same as in Method 108A, Section 3.2.8.

#### 4. Procedure

##### 4.1 Sample Preparation and Distillation.

4.1.1 Weigh 1.0 g of finely pulverized sample to the nearest 0.1 mg. Transfer the sample to a 300-ml Erlenmeyer flask and add 15 ml of  $\text{HNO}_3$ , 4 ml HCl, 2 ml HF, 3 ml  $\text{HClO}_4$ , and 15 ml  $\text{H}_2\text{SO}_4$ . In a  $\text{HClO}_4$  fume hood, heat on a hot plate to decompose the sample. Then heat while swirling over an open flame until dense, white fumes evolve. Cool, add 15 ml of water, swirl to hydrate the  $\text{H}_2\text{SO}_4$  completely, and add several boiling granules. Cool to room temperature.

4.1.2 Add 1 g of KBr, 1 g hydrazine sulfate, and 50 ml HCl. Immediately attach the distillation head with thermometer and dip the side arm into a 50-ml graduated cylinder containing 25 ml of water and 2 ml of bromine water. Keep the graduated cylinder immersed in a beaker of cold water during distillation. Distill until the temperature of the vapor in the flask reaches 107 °C. When distillation is complete, remove the flask from the hot plate, and simultaneously wash down the side arm with water as it is removed from the cylinder.

4.1.3 If the expected arsenic content is in the range of 0.0020 to 0.10 percent, dilute the distillate to the 50-ml mark of the cylinder with water, stopper, and mix. Transfer a 5.0-ml aliquot to a 50-ml volumetric flask. Add 10 ml of water and a boiling granule. Place the flask on a hot plate, and heat gently until the bromine is expelled and the color of methyl orange indicator persists upon the addition of 1-2 drops. Cool the flask to room temperature. Neutralize just to the yellow color of the indicator with dropwise addi-

tions of  $\text{NH}_4\text{OH}$ . Bring back to the red color by dropwise addition of dilute HCl, and add 10 ml excess. Proceed with the molybdenum blue color development as described in section 4.2.

4.1.4 If the expected arsenic content is in the range of 0.0002 to 0.0010 percent As, transfer either the entire initial distillate or the measured remaining distillate from above to a 250-ml beaker. Wash the cylinder with two successive portions of concentrated  $\text{HNO}_3$ , adding each portion to the distillate in the beaker. Add 4 ml of concentrated  $\text{HClO}_4$ , a boiling granule, and cover with a flat watch glass placed slightly to one side. Boil gently on a hot plate until the volume is reduced to approximately 10 ml. Add 3 ml of  $\text{HNO}_3$ , and continue the evaporation until  $\text{HClO}_4$  is refluxing on the beaker cover. Cool briefly, rinse the underside of the watch glass and the inside of the beaker with about 3-5 ml of water, cover, and continue the evaporation to expel all but 2 ml of the  $\text{HClO}_4$ . NOTE: If the solution appears cloudy due to a small amount of antimony distilling over, add 4 ml of 1/1 HCl/water and 5 ml of water, cover, and warm gently until clear. If cloudiness persists, add 5 ml of  $\text{HNO}_3$  and 2 ml  $\text{H}_2\text{SO}_4$ . Continue the evaporation of the volatile acids to solubilize the antimony until dense white fumes of  $\text{H}_2\text{SO}_4$  appear. Retain at least 1 ml of the  $\text{H}_2\text{SO}_4$ . To the 2 ml of  $\text{HClO}_4$  solution or 1 ml of the  $\text{H}_2\text{SO}_4$  solution, add 15 ml of water, boil gently for 2 minutes, and then cool. Proceed with the molybdenum blue color development by neutralizing the solution directly in the beaker just to the yellow indicator color by dropwise addition of  $\text{NH}_4\text{OH}$ . Just bring back the red color by dropwise addition of dilute HCl. Transfer the solution to a 50-ml volumetric flask, and rinse the beaker successively with 10 ml of dilute HCl, followed by several small portions of water. At this point the volume of solution in the flask should be no more than 40 ml. Continue with the color development as described in section 4.2.

##### 4.2 Analysis.

4.2.1 Add 1 ml of  $\text{KBrO}_3$  solution to the flask and heat on a low-temperature hot plate to about 50 °C to oxidize the arsenic and methyl orange. Add 5.0 ml of ammonium molybdate solution to the warm solution and mix. Add 2.0 ml of hydrazine sulfate solution, dilute until the solution comes within the neck of the flask, and mix. Place in a 400-ml beaker, 80 percent full of boiling water, for 10 minutes. Enough heat must be supplied to prevent the water bath from cooling much below the boiling point upon inserting the volumetric flask. Remove the flask, cool to room temperature, dilute to the mark, and mix.

4.2.2 Transfer a suitable portion of the reference solution to an absorption cell, and adjust the photometer to the initial setting, using a light band centered at 660 nm. While

maintaining this photometer adjustment, take the photometric readings of the calibration solutions followed by the samples.

4.3 Preparation of the Calibration Curve. Transfer 1.0, 2.0, 4.0, 8.0, 12.0, 16.0, and 20.0 ml of standard arsenic solution (10  $\mu$  g/ml) to each of the seven 50-ml volumetric flasks. Dilute to 20 ml with dilute HCl. Add one drop of methyl orange solution and neutralize to the yellow color with dropwise addition of  $\text{NH}_4\text{OH}$ . Just bring back to the red color by dropwise addition of dilute HCl, and add 10 ml in excess. Proceed with the color development as described in section 4.2. Plot the photometric readings of the calibration solutions against  $\mu\text{g As per 50 ml}$  of solution. From the curve, determine the As concentration in each sample.

4.4 Audit Analysis. Same as in Method 108A, section 4.5.3.

#### 5. Calculations

Same as in Method 108A, section 5.

#### 6. Bibliography

Ringwald, D. (TRW). Arsenic Determination on Process Materials from ASARCO's Copper Smelter in Tacoma, Washington. Unpublished Report. Prepared for the Emission Measurement Branch, Technical Support Division, U.S. Environmental Protection Agency, Research Triangle Park, North Carolina 27711. August 1980. 35 p.

#### METHOD 111—DETERMINATION OF POLONIUM-210 EMISSIONS FROM STATIONARY SOURCES

Performance of this method should not be attempted by persons unfamiliar with the use of equipment for measuring radioactive disintegration rates.

#### 1.0 Applicability and Principle

1.1 Applicability. This method is applicable to the determination of polonium-210 emissions in particulate samples collected in stack gases. Samples should be analyzed within 30 days of collection to minimize error due to growth of polonium-210 from any lead-210 present in the sample.

1.2 Principle A particulate sample is collected from stack gases as described in Method 5 of appendix A to 40 CFR part 60. The polonium-210 in the sample is put in solution, deposited on a metal disc, and the radioactive disintegration rate measured. Polonium in acid solution spontaneously deposits on surfaces of metals that are more electro-positive than polonium. This principle is routinely used in the radiochemical analysis of polonium-210.

#### 2.0 Apparatus

2.1 Alpha spectrometry system consisting of a multichannel analyzer, biasing electronics, silicon surface barrier detector, vacuum pump and chamber.

2.2 Constant temperature bath at 85° C.

2.3 Polished silver discs, 3.8 cm diameter, 0.4 mm thick with a small hole near the edge.

2.4 Glass beakers, 400 ml, 150 ml.

2.5 Hot plate, electric.

2.6 Fume hood.

2.7 Teflon<sup>1</sup> beakers, 150 ml.

2.8 Magnetic stirrer.

2.9 Stirring bar.

2.10 Plastic or glass hooks to suspend plating discs.

2.11 Internal proportional counter for measuring alpha particles.

2.12 Nucleopore<sup>1</sup> filter membranes, 25 mm diameter, 0.2 micrometer pore size or equivalent.

2.13 Planchets, stainless steel, 32 mm diameter with 1.5 mm lip.

2.14 Transparent plastic tape, 2.5 cm wide with adhesive on both sides.

2.15 Epoxy spray enamel.

2.16 Suction filter apparatus for 25 mm diameter filter.

2.17 Wash bottles, 250 ml capacity.

2.18 Plastic graduated cylinder, 25 ml capacity.

#### 3.0 Reagents

3.1 Ascorbic acid, Reagent grade.

3.2 Ammonium hydroxide ( $\text{NH}_4\text{OH}$ ) 15 M, Reagent grade.

3.3 Distilled water meeting ASTM specifications for Type 3 Reagent Water. ASTM Test Method D 1193-77 (incorporated by reference-Section 61.18).

3.4 Ethanol ( $\text{C}_2\text{H}_5\text{OH}$ ), 95 percent, Reagent grade.

3.5 Hydrochloric acid (HCl), 12 M, Reagent grade.

3.6 Hydrochloric acid, 1 M, dilute 83 ml of the 12 M Reagent grade HCl to 1 liter with distilled water.

3.7 Hydrofluoric acid (HF), 29 M, Reagent grade.

3.8 Hydrofluoric acid, 3 M, dilute 52 ml of the 29 M Reagent grade HF to 500 ml with distilled water. Use a plastic graduated cylinder and storage bottle.

3.9 Lanthanum carrier, 0.1 mg  $\text{La}^{=3}/\text{ml}$ . Dissolve 0.078 gram Reagent grade lanthanum nitrate,  $\text{La}(\text{NO}_3)_3 \cdot 6\text{H}_2\text{O}$  in 250 ml of 1 M HCl.

3.10 Nitric acid ( $\text{HNO}_3$ ), 16 M, Reagent grade.

3.11 Perchloric acid ( $\text{HClO}_4$ ), 12 M, Reagent grade.

3.12 Polonium-209 solution.

3.13 Commercial silver cleaner.

3.14 Degreaser.

3.15 Standard solution of plutonium or americium.

3.16 Volumetric flask, 100 ml, 250 ml.

<sup>1</sup>Mention of registered trade names or specific products does not constitute endorsement by the Environmental Protection Agency.

4.0 Procedure

4.1 Sample Preparation.

The glass fiber filter and acetone rinse from Method 5 of appendix A to 40 CFR part 60 are combined and dissolved as described below.

4.1.1 Add polonium-209 tracer to the acetone rinse in the glass beaker from Method 5 in an amount approximately equal to the amount of polonium-210 expected in the total particulate sample. Add 16 M nitric acid to the beaker to digest and loosen the residue.

4.1.2 Transfer the residue from the glass beaker to a teflon beaker containing the glass fiber filter. Rinse the glass beaker with 16 M nitric acid. If necessary reduce the volume in the beaker by evaporation until all of the nitric acid from the glass beaker has been transferred to the teflon beaker.

4.1.3 Add 30 ml of 29 M hydrofluoric acid to the teflon beaker and evaporate to near dryness on a hot plate in a properly operating hood. Caution: Do not allow the residue to go to dryness and overheat; this will result in loss of polonium.

4.1.4 Repeat step 4.1.3 until filter is dissolved.

4.1.5 Add 100 ml of 16 M nitric acid to the residue in the teflon beaker and evaporate to near dryness. Caution: Do not allow the residue to go to dryness.

4.1.6 Add 50 ml of 16 M nitric acid and 10 ml of 12 M perchloric acid to the teflon beaker and heat until dense fumes of perchloric acid are evolved.

4.1.7 Repeat steps 4.1.3 to 4.1.6 as necessary until sample is completely dissolved.

4.1.8 Add 10 ml of 12 M hydrochloric acid and evaporate to dryness. Repeat additions and evaporations several times.

4.1.9 Transfer the sample to a 250 ml volumetric flask and dilute to volume with 3 M hydrochloric acid.

4.2 Sample Screening.

The samples are checked for radioactivity levels to avoid contamination of the alpha spectrometry system. Use the following screening method:

4.2.1 Twenty ml of 1 M HCl are added to a 150 ml beaker.

4.2.2 One ml of the lanthanum carrier solution, 0.1 mg lanthanum per ml, is added to beaker.

4.2.3 A 1 ml aliquot of solution from Section 4.1.7 is added to the beaker.

4.2.4 Three ml of 15 M ammonium hydroxide are added to the beaker.

4.2.5 The solution from Section 4.2.4 is allowed to stand for a minimum of 30 minutes.

4.2.6 The solution is filtered through a filter membrane using suction.

4.2.7 The membrane is washed with 10 ml of distilled water and 5 ml of ethanol.

4.2.8 The membrane is allowed to air dry and then mounted, filtration side up, on a planchet lined with double-side plastic tape.

4.2.9 The membrane is radioassayed using an internal proportional alpha counter.

4.2.10 The activity of the original solution from Section 4.1.7 is calculated using Eq. 111-1.

$$P = \frac{250 C_S - C_B}{2.22 E_1 A_L T} \quad \text{Eq. 111-1}$$

where:

P=total activity of original solution from Section 4.1.7, in pCi.

C<sub>S</sub>=total counts of screening sample.

C<sub>B</sub>=total counts of procedure background. (See 4.6).

E<sub>1</sub>=counting efficiency as determined in Section 8.0, counts per minute per disintegration per minute.

2.22=disintegrations per minute per picocurie.

A<sub>L</sub>=aliquot used in Section 4.2.3 in ml if different from 1 ml.

T=counting time in minutes for sample and background (which must be equal).

250=volume of solution from Section 4.1.7 in ml.

4.2.11 Determine the aliquot volume of solution from Section 4.1.7 to be analyzed for polonium-210 using results of the calculation described in Section 4.2.10. The aliquot used should contain an activity between 1 and 4 picocuries.

$$A_S = \frac{250 (\text{desired picocuries in aliquot})}{P} \quad \text{Eq. 111-2}$$

A<sub>S</sub>=aliquot to be analyzed in ml.

P=total activity, as calculated with Eq. 111-1.

4.3 Preparation of Silver Disc for Spontaneous Electrodeposition.

4.3.1 Clean both sides of disc with a mild abrasive commercial silver cleaner.

4.3.2 Clean both sides of disc with degreaser.

4.3.3 Place disc on absorbent paper and spray one side with epoxy spray enamel. This should be carried out in a well-ventilated area, with the disc lying flat to keep paint on one side only.

4.3.4 Allow paint to dry for 24 hours before using disc for deposition.

#### 4.4 Sample Analysis.

4.4.1 Add the aliquot of solution from Section 4.1.7 to be analyzed as determined in Section 4.2.11 to a suitable 200 ml container to be placed in a constant temperature bath. Note, aliquot volume may require a larger container.

4.4.2 If necessary, bring the volume to 100 ml with 1 M HCl. If the aliquot volume exceeds 100 ml, use total aliquot.

4.4.3 Add 200 mg of ascorbic acid and heat solution to 85 ° C in a constant temperature bath.

4.4.4 Stirring of the solution must be maintained while the solution is in the constant temperature bath for plating.

4.4.5 Suspend a silver disc in the heated solution using a glass or plastic rod with a hook inserted through the hole in the disc. The disc should be totally immersed in the solution at all times.

4.4.6 Maintain the disc in solution for 3 hours while stirring.

4.4.7 Remove the silver disc, rinse with distilled water and allow to air dry at room temperature.

#### 4.5 Measurement of Polonium-210

4.5.1 Place the silver disc, with deposition side (unpainted side) up, on a planchet and secure with double-side plastic tape.

4.5.2 Place the planchet with disc in alpha spectrometry system and count for 1000 minutes.

#### 4.6 Determination of Procedure Background.

Background counts used in all equations are determined by performing the specific analysis required using the analytical reagents only. This should be repeated every 10 analyses.

#### 4.7 Determination of Instrument Background.

Instrument backgrounds of the internal proportional counter and alpha spectrometry system should be determined on a weekly basis. Instrument background should not exceed procedure background. If this occurs, it may be due to a malfunction or contamination.

#### 5.0 Calculation of Polonium-210 Activity

5.1 Calculate the activity of polonium-210 on a sample filter using Eq. 111-3

$$A = \frac{C_T - C_B L}{2.22 E_Y E_C T D} \quad \text{Eq. 111-3}$$

where:

A=picocuries of polonium-210 in the particulate sample.

C<sub>T</sub>=total counts in polonium-210 spectral region.

C<sub>B</sub>=procedure background counts in polonium-210 spectral region.

L=dilution factor. This is the volume in ml of solution in Section 4.1.7 (250 ml) divided by volume in ml used in Section 4.4.1.

2.22=disintegrations per minute per picocurie.

E<sub>Y</sub>=fraction of polonium recovered on the planchet. Given by:

$$E_Y = \frac{B_T - B_B}{2.22 F E_C T}$$

where:

B<sub>T</sub>=polonium-209 tracer counts in sample.

B<sub>B</sub>=procedure background counts measured in polonium-209 spectral region.

F=activity in picocuries of polonium-209 added to sample—from Eq. 111-7.

2.22=disintegrations per minute per picocurie.

E<sub>C</sub>=counting efficiency of detector used, given by Eq. 111-6, as counts per minute per disintegration per minute.

T=counting time, specified in Sections 4.5.2 and 7.11 as 1000 minutes for all alpha spectrometry sample and background counts.

D=decay correction for time "t" (in days) from sample collection to sample counting, given by:  $D = e^{-0.005t}$

5.2 Procedure for Calculating Emission Rate in Curies per Metric Ton of Phosphate Rock Processed. Calculate the polonium-210 emission per metric ton of rock processed from each run at each stack using Equation 111-4. The emission rate from each stack is determined by averaging the emission rates calculated for each of the three runs at each stack.

$$R_S = \frac{1 \times 10^{-12} A Q_{SD}}{V_{SD} M_H} \quad \text{Eq. 111-4}$$

Where:

R<sub>S</sub>=emission rate from stack, in curies of polonium-210 per metric ton of rock processed.

A=picocuries of polonium-210 in the particulate sample as determined by A in Eq. 111-3.

Q<sub>SD</sub>=volumetric flow rate of effluent stream in dry standard m<sup>3</sup>/hr as determined by Method 2 of appendix A to 40 CFR part 60.

V<sub>SD</sub>=total volume of air sample in dry standard m<sup>3</sup> as determined by Method 5 of appendix A to 40 CFR part 60.

M<sub>H</sub>=rock processing rate during sampling in metric tons/hr.

1×10<sup>-12</sup>=curies per picocurie.

5.3 Average Stack Emission Rate Calculation. Determine the average stack emission rate from the average of the three emission rates calculated in section 5.2. Perform these calculations for each stack of each calciner.



5.4 Calciner Emission Rate Calculation. Determine each calciner's emission rate ( $X_i$ ) by taking the sum of the emission rates from all stacks of each calciner.

5.5 Annual Polonium-210 Emission Calculation. Determine the annual elemental phosphorus plant emissions of polonium-210 by taking the sum of emission rates at each calciner ( $X_i$  in 5.4) and multiplying this sum by the annual metric tons of phosphate rock processed by that calciner, according to Eq. 111-5.

$$S = X_1 M_1 + X_2 M_2 + \dots + X_N M_N$$

Eq. 111-5

Where:

S=annual polonium-210 emissions in curies from the elemental phosphorus plant.

$X_i$ =emission rate from a calciner (I) in curies per metric ton, as determined in section 5.4.

N=number of calciners at the elemental phosphorus plant.

$M_i$ =phosphate rock processed per year, in metric tons for each calciner.

#### 6.0 Standardization of Alpha Spectrometry System

6.1 Obtain a standardized solution of an alpha-emitting actinide element such as plutonium-239 or americium-241. Add a quantity of the standardized solution to a 100 ml volumetric flask so that the final concentration when diluted to a volume of 100 ml will be approximately 1 pCi/ml. Add 10 ml of 16 M  $\text{HNO}_3$  and dilute to 100 ml with distilled water.

6.2 Add 20 ml of 1 M HCl to each of six 150 ml beakers.

6.3 Add 1.0 ml of lanthanum carrier, 0.1 mg lanthanum per ml, to the acid solution in each beaker.

6.4 Add 1.0 ml of actinide solution from section 6.1 to each beaker.

6.5 Add 5.0 ml of 3 M HF to each beaker.

6.6 Cover beakers and allow solutions to stand for a minimum of 30 minutes.

6.7 Filter each solution through a filter membrane using this suction filter apparatus.

6.8 After each filtration, wash the filter membrane with 10 ml of distilled water and 5 ml of ethanol.

6.9 Allow the filter membrane to air dry on the filter apparatus.

6.10 Carefully remove the filter membrane and mount with double-side tape on the inner surface of a planchet. Mount filter with filtration side up.

6.11 Place planchet in an alpha spectrometry system and count each planchet for 1000 minutes.

6.12 The counting efficiency of each detector can be calculated using Eq. 111-6.

$$E_C = \frac{C_S - C_B}{2.22 A_A T} \quad \text{Eq. 111-6}$$

where:

$C_S$ =gross counts in actinide peak.

$C_B$ =background counts in same peak area as  $C_S$ .

2.22=disintegrations per minute per picocurie.

$A_A$ =picocuries of actinide added.

$E_C$ =counting efficiency, counts per minute per disintegration per minute.

T=counting time in minutes, specified in section 6.11 as 1000 minutes.

6.13 Determine the average counting efficiency for each detector by calculating the average of the six determinations.

#### 7.0 Preparation of Standardized Solution of Polonium-209

7.1 Obtain polonium-209 solution from an available supplier. Add a quantity of the Po-209 solution to a 100 ml volumetric flask so that the final concentration when diluted to a 100 ml volume will be approximately 1 pCi/ml. Add 10 ml of 16 M  $\text{HNO}_3$  and dilute to 100 ml with distilled water.

7.2 Add 20 ml of 1 M HCl to each of six 150 ml beakers.

7.3 Add 1.0 ml of lanthanum carrier, 0.1 mg lanthanum per ml, to the acid solution in each beaker.

7.4 Add 1.0 ml of polonium-209 tracer from section 7.1 to each beaker.

7.5 Add 3.0 ml of 15 M ammonium hydroxide to each beaker.

7.6 Cover beakers and allow to stand for a minimum of 30 minutes.

7.7 Filter the contents of each beaker through a separate filter membrane.

7.8 After each filtration, wash membrane with 10 ml of distilled water and 5 ml of ethanol.

7.9 Allow filter membrane to dry on filter apparatus.

7.10 Carefully remove the filter membrane and mount with double-side tape on the inner surface of a planchet. Mount filter with filtration side up.

7.11 Place planchet in alpha spectrometry system and count each planchet for 1000 minutes.

7.12 The activity of the polonium solution can be calculated using Eq. 111-7.

$$F = \frac{C_S - C_B}{2.22 E_C T} \quad \text{Eq. 111-7}$$

where:

F=activity of polonium-209 solution, in pCi.

$C_S$ =gross counts of polonium-209 in the 4.88 MeV region of the spectrum in the counting time T.

$C_B$ =background counts in the 4.88 MeV region of spectrum the in the counting time T.

2.22=disintegrations per minute per picocurie.

$E_c$ =counting efficiency of detector used, counts per minute per disintegration per minute.

$T$ =counting time, specified in section 7.11 as 1000 minutes.

7.13 Determine the average activity of the polonium-209 solution from the six determinations.

7.14 Aliquots of the solution from section 7.1 are to be used as tracer with each polonium-210 analysis.

#### 8.0 Standardization of Internal Proportional Counter

8.1 Obtain a standardized solution of an alpha-emitting actinide element such as plutonium-239 or americium-241. Add a quantity of the standardized solution to a 100 ml volumetric flask so that the final concentration when diluted to a 100 ml volume will be approximately 100 pCi/ml. Add 10 ml of 16 M  $\text{HNO}_3$  and dilute to 100 ml with distilled water.

8.2 Add 20 ml of 1 M HCl to each of six 150 ml beakers.

8.3 Add 1.0 ml of lanthanum carrier, 0.1 mg lanthanum per ml, to the acid solution in each beaker.

8.4 Add 1.0 ml of the actinide solution from section 8.1 to each beaker.

8.5 Add 5.0 ml of 3 M HF to each beaker.

8.6 Cover beakers and allow solutions to stand for a minimum of 30 minutes.

8.7 Filter each solution through a filter membrane using the suction filter apparatus.

8.8 After each filtration, wash membrane with 10 ml of distilled water and 5 ml of ethanol.

8.9 Allow filter membrane to dry on filter apparatus.

8.10 Carefully remove filter membrane and mount with double-side tape on the inner surface of a planchet. Mount filter with filtration side up.

8.11 Place planchet in internal proportional counter and count for 100 minutes.

8.12 The counting efficiency of the internal proportional counter is determined as follows from the six samples:

$$E_B = \frac{C_S - C_B}{2.22 A_A T} \quad \text{Eq. 111-8}$$

where:

$E_i$ =counting efficiency of proportional counter, counts per minute per disintegration per minute.

$C_s$ =gross counts of standard.

$C_B$ =gross counts of procedure background.

2.22=disintegrations per minute per picocurie.

$A_A$ =picocuries of actinide added.

$T$ =counting time in minutes, specified in section 8.11 as 100 minutes.

8.13 Determine the average counting efficiency of the six determinations.

#### 9.0 Quality Assurance

##### 9.1 General Requirements.

9.1.1 All analysts using this method are required to demonstrate their ability to use the method and to define their respective accuracy and precision criteria.

##### 9.2 Specific Requirements.

9.2.1 Each sample will be analyzed in duplicate.

9.2.2 Every tenth sample will be an externally prepared performance evaluation sample submitted by the Quality Assurance Officer.

9.2.3 Duplicate measurements are considered acceptable when the difference between them is less than two standard deviations as described in EPA 600/4-77-001 or subsequent revisions.

#### METHOD 114—TEST METHODS FOR MEASURING RADIONUCLIDE EMISSIONS FROM STATIONARY SOURCES

##### 1. Purpose and Background

This method provides the requirements for: (1) Stack monitoring and sample collection methods appropriate for radionuclides; (2) radiochemical methods which are used in determining the amounts of radionuclides collected by the stack sampling and; (3) quality assurance methods which are conducted in conjunction with these measurements. These methods are appropriate for emissions from stationary sources. A list of references is provided.

Many different types of facilities release radionuclides into air. These radionuclides differ in the chemical and physical forms, half-lives and type of radiation emitted. The appropriate combination of sample extraction, collection and analysis for an individual radionuclide is dependent upon many interrelated factors including the mixture of other radionuclides present. Because of this wide range of conditions, no single method for monitoring or sample collection and analysis of a radionuclide is applicable to all types of facilities. Therefore, a series of methods based on "principles of measurement" are described for monitoring and sample collection and analysis which are applicable to the measurement of radionuclides found in effluent streams at stationary sources. This approach provides the user with the flexibility to choose the most appropriate combination of monitoring and sample collection and analysis methods which are applicable to the effluent stream to be measured.

##### 2. Stack Monitoring and Sample Collection Methods

Monitoring and sample collection methods are described based on "principles of monitoring and sample collection" which are applicable to the measurement of radionuclides from effluent streams at stationary sources. Radionuclides of most elements will be in the particulate form in these effluent streams and can be readily collected using a suitable filter media. Radionuclides of hydrogen, oxygen, carbon, nitrogen, the noble gases and in some circumstances iodine will be in the gaseous form. Radionuclides of these elements will require either the use of an in-line or off-line monitor to directly measure the radionuclides, or suitable sorbers, condensers or bubblers to collect the radionuclides.

2.1 Radionuclides as Particulates. The extracted effluent stream is passed through a filter media to remove the particulates. The filter must have a high efficiency for removal of sub-micron particles. The guidance in ANSI N13.1—1969 shall be followed in using filter media to collect particulates (incorporated by reference—see §61.18).

2.2 Radionuclides as Gases.

2.2.1 The Radionuclide Tritium (H-3). Tritium in the form of water vapor is collected from the extracted effluent sample by sorption, condensation or dissolution techniques. Appropriate collectors may include silica gel, molecular sieves, and ethylene glycol or water bubblers.

Tritium in the gaseous form may be measured directly in the sample stream using Method B-1, collected as a gas sample or may be oxidized using a metal catalyst to tritiated water and collected as described above.

2.2.2 Radionuclides of Iodine. Iodine is collected from an extracted sample by sorption or dissolution techniques. Appropriate collectors may include charcoal, impregnated charcoal, metal zeolite and caustic solutions.

2.2.3 Radionuclides of Argon, Krypton and Xenon. Radionuclides of these elements are either measured directly by an in-line or off-line monitor, or are collected from the extracted sample by low temperature sorption techniques. Appropriate sorbers may include charcoal or metal zeolite.

2.2.4 Radionuclides of Oxygen, Carbon, Nitrogen and Radon. Radionuclides of these elements are measured directly using an in-line or off-line monitor. Radionuclides of carbon in the form of carbon dioxide may be collected by dissolution in caustic solutions.

2.3 Definition of Terms

*In-line monitor* means a continuous measurement system in which the detector is placed directly in or adjacent to the effluent stream. This may involve either gross radioactivity measurements or specific radionuclide measurements. Gross measurements shall be made in conformance with the con-

ditions specified in Methods A-4, B-2 and G-4.

*Off-line monitor* means a measurement system in which the detector is used to continuously measure an extracted sample of the effluent stream. This may involve either gross radioactivity measurements or specific radionuclide measurements. Gross measurements shall be made in conformance with the conditions specified in Methods A-4, B-2 and G-4.

*Sample collection* means a procedure in which the radionuclides are removed from an extracted sample of the effluent using a collection media. These collection media include filters, absorbers, bubblers and condensers. The collected sample is analyzed using the methods described in Section 3.

### 3. Radionuclide Analysis Methods

A series of methods based on "principles of measurement" are described which are applicable to the analysis of radionuclides collected from airborne effluent streams at stationary sources. These methods are applicable only under the conditions stated and within the limitations described. Some methods specify that only a single radionuclide be present in the sample or the chemically separated sample. This condition should be interpreted to mean that no other radionuclides are present in quantities which would interfere with the measurement.

Also identified (Table 1) are methods for a selected list of radionuclides. The listed radionuclides are those which are most commonly used and which have the greatest potential for causing dose to members of the public. Use of methods based on principles of measurement other than those described in this section must be approved in advance of use by the Administrator. For radionuclides not listed in Table 1, any of the described methods may be used provided the user can demonstrate that the applicability conditions of the method have been met.

The type of method applicable to the analysis of a radionuclide is dependent upon the type of radiation emitted, i.e., alpha, beta or gamma. Therefore, the methods described below are grouped according to principles of measurements for the analysis of alpha, beta and gamma emitting radionuclides.

3.1 Methods for Alpha Emitting Radionuclides

3.1.1 Method A-1, Radiochemistry-Alpha Spectrometry.

*Principle:* The element of interest is separated from other elements, and from the sample matrix using radiochemical techniques. The procedure may involve precipitation, ion exchange, or solvent extraction. Carriers (elements chemically similar to the element of interest) may be used. The element is deposited on a planchet in a very

thin film by electrodeposition or by coprecipitation on a very small amount of carrier, such as lanthanum fluoride. The deposited element is then counted with an alpha spectrometer. The activity of the nuclide of interest is measured by the number of alpha counts in the appropriate energy region. A correction for chemical yield and counting efficiency is made using a standardized radioactive nuclide (tracer) of the same element. If a radioactive tracer is not available for the element of interest, a predetermined chemical yield factor may be used.

*Applicability:* This method is applicable for determining the activity of any alpha-emitting radionuclide, regardless of what other radionuclides are present in the sample provided the chemical separation step produces a very thin sample and removes all other radionuclides which could interfere in the spectral region of interest. APHA-605(2), ASTM-D-3972(13).

#### 3.1.2 Method A-2, Radiochemistry-Alpha Counting.

*Principle:* The element of interest is separated from other elements, and from the sample matrix using radiochemistry. The procedure may involve precipitation, ion exchange, or solvent extraction. Carriers (elements chemically similar to the element of interest) may be used. The element is deposited on a planchet in a thin film and counted with an alpha counter. A correction for chemical yield (if necessary) is made. The alpha count rate measures the total activity of all emitting radionuclides of the separated element.

*Applicability:* This method is applicable for the measurement of any alpha-emitting radionuclide, provided no other alpha emitting radionuclide is present in the separated sample. It may also be applicable for determining compliance, when other radionuclides of the separated element are present, provided that the calculated emission rate is assigned to the radionuclide which could be present in the sample that has the highest dose conversion factor. IDO-12096(18).

#### 3.1.3 Method A-3, Direct Alpha Spectrometry.

*Principle:* The sample, collected on a suitable filter, is counted directly on an alpha spectrometer. The sample must be thin enough and collected on the surface of the filter so that any absorption of alpha particle energy in the sample or the filter, which would degrade the spectrum, is minimal.

*Applicability:* This method is applicable to simple mixtures of alpha emitting radionuclides and only when the amount of particulates collected on the filter paper are relatively small and the alpha spectra is adequately resolved. Resolutions should be 50 keV (FWHM) or better, ASTM-D-3084(16).

#### 3.1.4 Method A-4, Direct Alpha Counting (Gross alpha determination).

*Principle:* The sample, collected on a suitable filter, is counted with an alpha counter. The sample must be thin enough so that self-absorption is not significant and the filter must be of such a nature that the particles are retained on the surface.

*Applicability:* Gross alpha determinations may be used to measure emissions of specific radionuclides only (1) when it is known that the sample contains only a single radionuclide, or the identity and isotopic ratio of the radionuclides in the sample are well-known, and (2) measurements using either Method A-1, A-2 or A-5 have shown that this method provides a reasonably accurate measurement of the emission rate. Gross alpha measurements are applicable to unidentified mixtures of radionuclides only for the purposes and under the conditions described in section 3.7. APHA-601(3), ASTM-D-1943(10).

#### 3.1.5 Method A-5, Chemical Determination of Uranium.

*Principle:* Uranium may be measured chemically by either colorimetry or fluorometry. In both procedures, the sample is dissolved, the uranium is oxidized to the hexavalent form and extracted into a suitable solvent. Impurities are removed from the solvent layer. For colorimetry, dibenzoylmethane is added, and the uranium is measured by the absorbance in a colorimeter. For fluorometry, a portion of the solution is fused with a sodium fluoride-lithium fluoride flux and the uranium is determined by the ultraviolet activated fluorescence of the fused disk in a fluorometer.

*Applicability:* This method is applicable to the measurements of emission rates of uranium when the isotopic ratio of the uranium radionuclides is well known. ASTM-E-318(15), ASTM-D-2907(14).

#### 3.1.6 Method A-6, Radon-222—Continuous Gas Monitor.

*Principle:* Radon-222 is measured directly in a continuously extracted sample stream by passing the air stream through a calibrated scintillation cell. Prior to the scintillation cell, the air stream is treated to remove particulates and excess moisture. The alpha particles from radon-222 and its decay products strike a zinc sulfide coating on the inside of the scintillation cell producing light pulses. The light pulses are detected by a photomultiplier tube which generates electrical pulses. These pulses are processed by the system electronics and the read out is in pCi/l of radon-222.

*Applicability:* This method is applicable to the measurement of radon-222 in effluent streams which do not contain significant quantities of radon-220. Users of this method should calibrate the monitor in a radon calibration chamber at least twice per year. The background of the monitor should also be

checked periodically by operating the instrument in a low radon environment. EPA 520/1-89-009(24).

### 3.1.7 Method A-7, Radon-222-Alpha Track Detectors

*Principle:* Radon-222 is measured directly in the effluent stream using alpha track detectors (ATD). The alpha particles emitted by radon-222 and its decay products strike a small plastic strip and produce submicron damage tracks. The plastic strip is placed in a caustic solution that accentuates the damage tracks which are counted using a microscope or automatic counting system. The number of tracks per unit area is correlated to the radon concentration in air using a conversion factor derived from data generated in a radon calibration facility.

*Applicability:* Prior approval from EPA is required for use of this method. This method is only applicable to effluent streams which do not contain significant quantities of radon-220, unless special detectors are used to discriminate against radon-220. This method may be used only when ATDs have been demonstrated to produce data comparable to data obtained with Method A-6. Such data should be submitted to EPA when requesting approval for the use of this method. EPA 520/1-89-009(24).

### 3.2 Methods for Gaseous Beta Emitting Radionuclides.

#### 3.2.1 Method B-1, Direct Counting in Flow-Through Ionization Chambers.

*Principle:* An ionization chamber containing a specific volume of gas which flows at a given flow rate through the chamber is used. The sample (effluent stream sample) acts as the counting gas for the chamber. The activity of the radionuclide is determined from the current measured in the ionization chamber.

*Applicability:* This method is applicable for measuring the activity of a gaseous beta-emitting radionuclide in an effluent stream that is suitable as a counting gas, when no other beta-emitting nuclides are present. DOE/EP-0096(17), NCRP-58(23).

#### 3.2.2 Method B-2, Direct Counting With In-line or Off-line Beta Detectors.

*Principle:* The beta detector is placed directly in the effluent stream (in-line) or an extracted sample of the effluent stream is passed through a chamber containing a beta detector (off-line). The activities of the radionuclides present in the effluent stream are determined from the beta count rate, and a knowledge of the radionuclides present and the relationship of the gross beta count rate and the specific radionuclide concentration.

*Applicability:* This method is applicable only to radionuclides with maximum beta particle energies greater than 0.2 MeV. This method may be used to measure emissions of specific radionuclides only when it is known that the sample contains only a single radionuclide or the identity and isotopic ratio of

the radionuclides in the effluent stream are well known. Specific radionuclide analysis of periodic grab samples may be used to identify the types and quantities of radionuclides present and to establish the relationship between specific radionuclide analyses and gross beta count rates.

This method is applicable to unidentified mixtures of gaseous radionuclides only for the purposes and under the conditions described in section 3.7.

### 3.3 Methods for Non-Gaseous Beta Emitting Radionuclides.

#### 3.3.1 Method B-3, Radiochemistry-Beta Counting.

*Principle:* The element of interest is separated from other elements, and from the sample matrix by radiochemistry. This may involve precipitation, distillation, ion exchange, or solvent extraction. Carriers (elements chemically similar to the element of interest) may be used. The element is deposited on a planchet, and counted with a beta counter. Corrections for chemical yield, and decay (if necessary) are made. The beta count rate determines the total activity of all radionuclides of the separated element. This method may also involve the radiochemical separation and counting of a daughter element, after a suitable period of ingrowth, in which case it is specific for the parent nuclide.

*Applicability:* This method is applicable for measuring the activity of any beta-emitting radionuclide, with a maximum energy greater than 0.2 MeV, provided no other radionuclide is present in the separated sample. APHA-608(5).

#### 3.3.2 Method B-4, Direct Beta Counting (Gross beta determination).

*Principle:* The sample, collected on a suitable filter, is counted with a beta counter. The sample must be thin enough so that self-absorption corrections can be made.

*Applicability:* Gross beta measurements are applicable only to radionuclides with maximum beta particle energies greater than 0.2 MeV. Gross beta measurements may be used to measure emissions of specific radionuclides only (1) when it is known that the sample contains only a single radionuclide, and (2) measurements made using Method B-3 show reasonable agreement with the gross beta measurement. Gross beta measurements are applicable to mixtures of radionuclides only for the purposes and under the conditions described in section 3.7. APHA-602(4), ASTM-D-1890(11).

#### 3.3.3 Method B-5, Liquid Scintillation Spectrometry.

*Principle:* An aliquot of a collected sample or the result of some other chemical separation or processing technique is added to a liquid scintillation "cocktail" which is viewed by photomultiplier tubes in a liquid scintillation spectrometer. The spectrometer

is adjusted to establish a channel or "window" for the pulse energy appropriate to the nuclide of interest. The activity of the nuclide of interest is measured by the counting rate in the appropriate energy channel. Corrections are made for chemical yield where separations are made.

*Applicability:* This method is applicable to any beta-emitting nuclide when no other radionuclide is present in the sample or the separated sample provided that it can be incorporated in the scintillation cocktail. This method is also applicable for samples which contain more than one radionuclide but only when the energies of the beta particles are sufficiently separated so that they can be resolved by the spectrometer. This method is most applicable to the measurement of low-energy beta emitters such as tritium and carbon-14. APHA-609(6), EML-LV-539-17(19).

#### 3.4 Gamma Emitting Radionuclides

##### 3.4.1 Method G-1, High Resolution Gamma Spectrometry.

*Principle:* The sample is counted with a high resolution gamma detector, usually either a Ge(Li) or a high purity Ge detector, connected to a multichannel analyzer or computer. The gamma emitting radionuclides in the sample are measured from the gamma count rates in the energy regions characteristic of the individual radionuclide. Corrections are made for counts contributed by other radionuclides to the spectral regions of the radionuclides of interest. Radiochemical separations may be made prior to counting but are usually not necessary.

*Applicability:* This method is applicable to the measurement of any gamma emitting radionuclide with gamma energies greater than 20 keV. It can be applied to complex mixtures of radionuclides. The samples counted may be in the form of particulate filters, absorbers, liquids or gases. The method may also be applied to the analysis of gaseous gamma emitting radionuclides directly in an effluent stream by passing the stream through a chamber or cell containing the detector. ASTM-3649(9), IDO-12096(18).

##### 3.4.2 Method G-2, Low Resolution Gamma Spectrometry.

*Principle:* The sample is counted with a low resolution gamma detector, a thallium activated sodium iodide crystal. The detector is coupled to a photomultiplier tube and connected to a multichannel analyzer. The gamma emitting radionuclides in the sample are measured from the gamma count rates in the energy regions characteristic of the individual radionuclides. Corrections are made for counts contributed by other radionuclides to the spectral regions of the radionuclides of interest. Radiochemical separation may be used prior to counting to obtain less complex gamma spectra if needed.

*Applicability:* This method is applicable to the measurement of gamma emitting radio-

nuclides with energies greater than 100 keV. It can be applied only to relatively simple mixtures of gamma emitting radionuclides. The samples counted may be in the form of particulate filters, absorbers, liquids or gas. The method can be applied to the analysis of gaseous radionuclides directly in an effluent stream by passing the gas stream through a chamber or cell containing the detector. ASTM-D-2459(12), EMSL-LV-0539-17(19).

##### 3.4.3 Method G-3, Single Channel Gamma Spectrometry.

*Principle:* The sample is counted with a thallium activated sodium iodide crystal. The detector is coupled to a photomultiplier tube connected to a single channel analyzer. The activity of a gamma emitting radionuclide is determined from the gamma counts in the energy range for which the counter is set.

*Applicability:* This method is applicable to the measurement of a single gamma emitting radionuclide. It is not applicable to mixtures of radionuclides. The samples counted may be in the form of particulate filters, absorbers, liquids or gas. The method can be applied to the analysis of gaseous radionuclides directly in an effluent stream by passing the gas stream through a chamber or cell containing the detector.

##### 3.4.4 Method G-4, Gross Gamma Counting.

*Principle:* The sample is counted with a gamma detector usually a thallium activated sodium iodine crystal. The detector is coupled to a photomultiplier tube and gamma rays above a specific threshold energy level are counted.

*Applicability:* Gross gamma measurements may be used to measure emissions of specific radionuclides only when it is known that the sample contains a single radionuclide or the identity and isotopic ratio of the radionuclides in the effluent stream are well known. When gross gamma measurements are used to determine emissions of specific radionuclides periodic measurements using Methods G-1 or G-2 should be made to demonstrate that the gross gamma measurements provide reliable emission data. This method may be applied to analysis of gaseous radionuclides directly in an effluent stream by placing the detector directly in or adjacent to the effluent stream or passing an extracted sample of the effluent stream through a chamber or cell containing the detector.

3.5 Counting Methods. All of the above methods with the exception of Method A-5 involve counting the radiation emitted by the radionuclide. Counting methods applicable to the measurement of alpha, beta and gamma radiations are listed below. The equipment needed and the counting principles involved are described in detail in ASTM-3648(8).

##### 3.5.1 Alpha Counting:

- *Gas Flow Proportional Counters.* The alpha particles cause ionization in the counting gas and the resulting electrical pulses are counted. These counters may be windowless or have very thin windows.

- *Scintillation Counters.* The alpha particles transfer energy to a scintillator resulting in a production of light photons which strike a photomultiplier tube converting the light photons to electrical pulses which are counted. The counters may involve the use of solid scintillation materials such as zinc sulfide or liquid scintillation solutions.

- *Solid-State Counters.* Semiconductor materials, such as silicon surface-barrier p-n junctions, act as solid ionization chambers. The alpha particles interact with the detector producing electron hole pairs. The charged pair is collected by an applied electrical field and the resulting electrical pulses are counted.

- *Alpha Spectrometers.* Semiconductor detectors used in conjunction with multi-channel analyzers for energy discrimination.

#### 3.5.2 Beta Counting:

- *Ionization Chambers.* These chambers contain the beta-emitting nuclide in gaseous form. The ionization current produced is measured.

- *Geiger-Muller (GM) Counters-or Gas Flow Proportional Counters.* The beta particles cause ionization in the counting gas and the resulting electrical pulses are counted. Proportional gas flow counters which are heavily shielded by lead or other metal, and provided with an anti-coincidence shield to reject cosmic rays, are called low background beta counters.

- *Scintillation Counters.* The beta particles transfer energy to a scintillator resulting in a production of light photons, which strike a photomultiplier tube converting the light photon to electrical pulses which are counted. This may involve the use of anthracene crystals, plastic scintillator, or liquid scintillation solutions with organic phosphors.

- *Liquid Scintillation Spectrometers.* Liquid scintillation counters which use two photomultiplier tubes in coincidence to reduce background counts. This counter may also electronically discriminate among pulses of a given range of energy.

#### 3.5.3 Gamma Counting:

- *Low-Resolution Gamma Spectrometers.* The gamma rays interact with thallium activated sodium iodide or cesium iodide crystal resulting in the release of light photons which strike a photomultiplier tube converting the light pulses to electrical pulses proportional to the energy of the gamma ray. Multi-channel analyzers are used to separate and store the pulses according to the energy absorbed in the crystal.

- *High-Resolution gamma Spectrometers.* Gamma rays interact with a lithium-drifted (Ge(Li)) or high-purity germanium (HPGe) semiconductor detectors resulting in a pro-

duction of electron-hole pairs. The charged pair is collected by an applied electrical field. A very stable low noise preamplifier amplifies the pulses of electrical charge resulting from the gamma photon interactions. Multichannel analyzers or computers are used to separate and store the pulses according to the energy absorbed in the crystal.

- *Single Channel Analyzers.* Thallium activated sodium iodide crystals used with a single window analyzer. Pulses from the photomultiplier tubes are separated in a single predetermined energy range.

#### 3.5.4 Calibration of Counters.

Counters are calibrated for specific radionuclide measurements using a standard of the radionuclide under either identical or very similar conditions as the sample to be counted. For gamma spectrometers a series of standards covering the energy range of interest may be used to construct a calibration curve relating gamma energy to counting efficiency.

In those cases where a standard is not available for a radionuclide, counters may be calibrated using a standard with energy characteristics as similar as possible to the radionuclide to be measured. For gross alpha and beta measurements of the unidentified mixtures of radionuclides, alpha counters are calibrated with a natural uranium standard and beta counters with a cesium-137 standard. The standard must contain the same weight and distribution of solids as the samples, and be mounted in an identical manner. If the samples contain variable amounts of solids, calibration curves relating weight of solids present to counting efficiency are prepared. Standards other than those prescribed may be used provided it can be shown that such standards are more applicable to the radionuclide mixture measured.

#### 3.6 Radiochemical Methods for Selected Radionuclides.

Methods for a selected list of radionuclides are listed in Table 1. The radionuclides listed are those which are most commonly used and which have the greatest potential for causing doses to members of the public. For radionuclides not listed in Table 1, methods based on any of the applicable "principles of measurement" described in section 3.1 through 3.4 may be used.

#### 3.7 Applicability of Gross Alpha and Beta Measurements to Unidentified Mixtures of Radionuclides.

Gross alpha and beta measurements may be used as a screening measurement as a part of an emission measurement program to identify the need to do specific radionuclide analyses or to confirm or verify that unexpected radionuclides are not being released in significant quantities.

Gross alpha (Method A-4) or gross beta (Methods B-2 or B-4) measurements may also be used for the purpose of comparing the measured concentrations in the effluent stream with the limiting "Concentration Levels for Environmental Compliance" in

table 2 of appendix E. For unidentified mixtures, the measured concentration value shall be compared with the lowest environmental concentration limit for any radionuclide which is not known to be absent from the effluent stream.

TABLE 1—LIST OF APPROVED METHODS FOR SPECIFIC RADIONUCLIDES

| Radionuclide                 | Approved methods of analysis      |
|------------------------------|-----------------------------------|
| Am-241 .....                 | A-1, A-2, A-3, A-4                |
| Ar-41 .....                  | B-1, B-2, G-1, G-2, G-3, G-4      |
| Ba-140 .....                 | G-1, G-2, G-3, G-4                |
| Br-82 .....                  | G-1, G-2, G-3, G-4                |
| C-11 .....                   | B-1, B-2, G-1, G-2, G-3, G-4      |
| C-14 .....                   | B-5                               |
| Ca-45 .....                  | B-3, B-4, B-5                     |
| Ce-144 .....                 | G-1, G-2, G-3, G-4                |
| Cm-244 .....                 | A-1, A-2, A-3, A-4                |
| Co-60 .....                  | G-1, G-2, G-3, G-4                |
| Cr-51 .....                  | G-1, G-2, G-3, G-4                |
| Cs-134 .....                 | G-1, G-2, G-3, G-4                |
| Cs-137 .....                 | G-1, G-2, G-3, G-4                |
| Fe-55 .....                  | B-5, G-1                          |
| Fe-59 .....                  | G-1, G-2, G-3, G-4                |
| Ga-67 .....                  | G-1, G-2, G-3, G-4                |
| H-3 (H <sub>2</sub> O) ..... | B-5                               |
| H-3 (gas) .....              | B-1                               |
| I-123 .....                  | G-1, G-2, G-3, G-4                |
| I-125 .....                  | G-1                               |
| I-131 .....                  | G-1, G-2, G-3, G-4                |
| In-113m .....                | G-1, G-2, G-3, G-4                |
| Ir-192 .....                 | G-1, G-2, G-3, G-4                |
| Kr-85 .....                  | B-1, B-2, B-5, G-1, G-2, G-3, G-4 |
| Kr-87 .....                  | B-1, B-2, G-1, G-2, G-3, G-4      |
| Kr-88 .....                  | B-1, B-2, G-1, G-2, G-3, G-4      |
| Mn-54 .....                  | G-1, G-2, G-3, G-4                |
| Mo-99 .....                  | G-1, G-2, G-3, G-4                |
| N-13 .....                   | B-1, B-2, G-1, G-2, G-3, G-4      |
| O-15 .....                   | B-1, B-2, G-1, G-2, G-3, G-4      |
| P-32 .....                   | B-3, B-4, B-5                     |
| Pm-147 .....                 | B-3, B-4, B-5                     |
| Po-210 .....                 | A-1, A-2, A-3, A-4                |
| Pu-238 .....                 | A-1, A-2, A-3, A-4                |
| Pu-239 .....                 | A-1, A-2, A-3, A-4                |
| Pu-240 .....                 | A-1, A-2, A-3, A-4                |
| Ra-226 .....                 | A-1, A-2, G-1, G-2                |
| S-35 .....                   | B-5                               |
| Se-75 .....                  | G-1, G-2, G-3, G-4                |
| Sr-90 .....                  | B-3, B-4, B-5                     |
| Tc-99 .....                  | B-3, B-4, B-5                     |
| Te-201 .....                 | G-1, G-2, G-3, G-4                |
| Uranium (total alpha) .....  | A-1, A-2, A-3, A-4                |
| Uranium (Isotopic) ..        | A-1, A-3                          |
| Uranium (Natural) ..         | A-5                               |
| Xe-133 .....                 | G-1                               |
| Yb-169 .....                 | G-1, G-2, G-3, G-4                |
| Zn-65 .....                  | G-1, G-2, G-3, G-4                |

4. Quality Assurance Methods

Each facility required to measure their radionuclide emissions shall conduct a quality assurance program in conjunction with the radionuclide emission measurements. This program shall assure that the emission measurements are representative, and are of known precision and accuracy and shall include administrative controls to assure prompt response when emission measurements indicate unexpectedly large emis-

sions. The program shall consist of a system of policies, organizational responsibilities, written procedures, data quality specifications, audits, corrective actions and reports. This quality assurance program shall include the following program elements:

4.1 The organizational structure, functional responsibilities, levels of authority and lines of communications for all activities related to the emissions measurement program shall be identified and documented.

4.2 Administrative controls shall be prescribed to ensure prompt response in the event that emission levels increase due to unplanned operations.

4.3 The sample collection and analysis procedures used in measuring the emissions shall be described including where applicable:

4.3.1 Identification of sampling sites and number of sampling points, including the rationale for site selections.

4.3.2 A description of sampling probes and representativeness of the samples.

4.3.3 A description of any continuous monitoring system used to measure emissions, including the sensitivity of the system, calibration procedures and frequency of calibration.

4.3.4 A description of the sample collection systems for each radionuclide measured, including frequency of collection, calibration procedures and frequency of calibration.

4.3.5 A description of the laboratory analysis procedures used for each radionuclide measured, including frequency of analysis, calibration procedures and frequency of calibration.

4.3.6 A description of the sample flow rate measurement systems or procedures, including calibration procedures and frequency of calibration.

4.3.7 A description of the effluent flow rate measurement procedures, including frequency of measurements, calibration procedures and frequency of calibration.

4.4 The objectives of the quality assurance program shall be documented and shall state the required precision, accuracy and completeness of the emission measurement data including a description of the procedures used to assess these parameters. Accuracy is the degree of agreement of a measurement with a true or known value. Precision is a measure of the agreement among individual measurements of the same parameters under similar conditions. Completeness is a measure of the amount of valid data obtained compared to the amount expected under normal conditions.

4.5 A quality control program shall be established to evaluate and track the quality of the emissions measurement data against preset criteria. The program should include where applicable a system of replicates, spiked samples, split samples, blanks and control charts. The number and frequency of



such quality control checks shall be identified.

4.6 A sample tracking system shall be established to provide for positive identification of samples and data through all phases of the sample collection, analysis and reporting system. Sample handling and preservation procedures shall be established to maintain the integrity of samples during collection, storage and analysis.

4.7 Periodic internal and external audits shall be performed to monitor compliance with the quality assurance program. These audits shall be performed in accordance with written procedures and conducted by personnel who do not have responsibility for performing any of the operations being audited.

4.8 A corrective action program shall be established including criteria for when corrective action is needed, what corrective actions will be taken and who is responsible for taking the corrective action.

4.9 Periodic reports to responsible management shall be prepared on the performance of the emissions measurements program. These reports should include assessment of the quality of the data, results of audits and description of corrective actions.

4.10 The quality assurance program should be documented in a quality assurance project plan which should address each of the above requirements.

#### 5. References

(1) American National Standards Institute, "Guide to Sampling Airborne Radioactive Materials in Nuclear Facilities", ANSI-N13.1-1969, American National Standards Institute, New York, New York (1969).

(2) American Public Health Association, "Methods of Air Sampling", 2nd Edition, Method 605, "Tentative Method of Analysis for Plutonium Content of Atmospheric Particulate Matter". American Public Health Association, New York, NY (1977).

(3) Ibid, Method 601, "Tentative Method of Analysis for Gross Alpha Radioactivity Content of the Atmosphere".

(4) Ibid, Method 602, "Tentative Method of the Analysis for Gross Beta Radioactivity Content of the Atmosphere".

(5) Ibid, Method 608, "Tentative Method of Analysis for Strontium-90 Content of Atmospheric Particulate Matter".

(6) Ibid, Method 609, "Tentative Method of Analysis for Tritium Content of the Atmosphere".

(7) Ibid, Method 603, "Tentative Method of Analysis for Iodine-131 Content of the Atmosphere".

(8) American Society for Testing and Materials, 1986 Annual Book ASTM Standards, Designation D-3648-78, "Standard Practices for the Measurement of Radioactivity". American Society for Testing and Materials, Philadelphia, PA (1986).

(9) Ibid, Designation D-3649-85, "Standard Practice for High Resolution Gamma Spectrometry".

(10) Ibid, Designation D-1943-81, "Standard Test Method for Alpha Particle Radioactivity of Water".

(11) Ibid, Designation D-1890-81, "Standard Test Method for Beta Particle Radioactivity of Water".

(12) Ibid, Designation D-2459-72, "Standard Test Method for Gamma Spectrometry of Water".

(13) Ibid, Designation D-3972-82, "Standard Test Method for Isotopic Uranium in Water by Radiochemistry".

(14) Ibid, Designation D-2907-83, "Standard Test Methods for Microquantities of Uranium in Water by Fluorometry".

(15) Ibid, Designation E-318, "Standard Test Method for Uranium in Aqueous Solutions by Colorimetry".

(16) Ibid, Designation D-3084-75, "Standard Practice for Alpha Spectrometry of Water".

(17) Corley, J.P. and C.D. Corbit, "A Guide for Effluent Radiological Measurements at DOE Installations", DOE/EP-0096, Pacific Northwest Laboratories, Richland, Washington (1983).

(18) Department of Energy, "RESL Analytical Chemistry Branch Procedures Manual", IDO-12096, U.S. Department of Energy, Idaho Falls, Idaho (1982).

(19) Environmental Protection Agency, "Radiochemical Analytical Procedures for Analysis of Environmental Samples", EMSL-LV-0539-17, U.S. Environmental Protection Agency, Environmental Monitoring and Support Laboratory, Las Vegas, Nevada (1979).

(20) Environmental Protection Agency, "Radiochemistry Procedures Manual", EPA 520/5-84-006, Eastern Environmental Radiation Facility, Montgomery, Alabama (1984).

(21) National Council on Radiation Protection and Measurements, NCRP Report No. 50, "Environmental Radiation Measurements", National Council on Radiation Protection and Measurement, Bethesda, Maryland (1976).

(22) Ibid, Report No. 47, "Tritium Measurement Techniques". (1976).

(23) Ibid, Report No. 58 "A Handbook of Radioactivity Measurement Procedures" (1985).

(24) Environmental Protection Agency, "Indoor Radon and Radon Decay Product Measurement Protocols", EPA 520/1-89-009, U.S. Environmental Protection Agency, Washington, DC (1989).

#### METHOD 115—MONITORING FOR RADON-222 EMISSIONS

This appendix describes the monitoring methods which must be used in determining the radon-222 emissions from underground uranium mines, uranium mill tailings piles, phosphogypsum stacks, and other piles of waste material emitting radon.

1. *Radon-222 Emissions from Underground Uranium Mine Vents*

1.1 Sampling Frequency and Calculation of Emissions. Radon-222 emissions from underground uranium mine vents shall be determined using one of the following methods:

1.1.1 Continuous Measurement. These measurements shall be made and the emissions calculated as follows:

(a) The radon-222 concentration shall be continuously measured at each mine vent whenever the mine ventilation system is operational.

(b) Each mine vent exhaust flow rate shall be measured at least 4 times per year.

(c) A weekly radon-222 emission rate for the mine shall be calculated and recorded weekly as follows:

$$A_w = C_1 Q_1 T_1 + C_2 Q_2 T_2 + \dots + C_i Q_i T_i$$

Where:

$A_w$ =Total radon-222 emitted from the mine during week (Ci)

$C_i$ =Average radon-222 concentration in mine vent i(Ci/m<sup>3</sup>)

$Q_i$ =Volumetric flow rate from mine vent i(m<sup>3</sup>/hr)

$T_i$ =Hours of mine ventilation system operation during week for mine vent i(hr)

(d) The annual radon-222 emission rate is the sum of the weekly emission rates during a calendar year.

1.1.2 Periodic Measurement. This method is applicable only to mines that continuously operate their ventilation system except for extended shutdowns. Mines which start up and shut down their ventilation system frequently must use the continuous measurement method describe in Section 1.1.1 above. Emission rates determined using periodic measurements shall be measured and calculated as follows:

(a) The radon-222 shall be continuously measured at each mine vent for at least one week every three months.

(b) Each mine vent exhaust flow rate shall be measured at least once during each of the radon-222 measurement periods.

(c) A weekly radon-222 emission rate shall be calculated for each weekly period according to the method described in Section 1.1.1. In this calculation T=168 hr.

(d) The annual radon-222 emission rate from the mine should be calculated as follows:

$$A_y = \frac{52 - W_s}{n} (A_{w1} + A_{w2} + \dots + A_{wi})$$

Where:

$A_y$ =Annual radon-222 emission rate from the mine(Ci)

$A_{wi}$ =Weekly radon-222 emission rate during the measurement period i (Ci)

n=Number of weekly measurement periods per year

$W_s$ =Number of weeks during the year that the mine ventilation system is shut down in excess of 7 consecutive days, i.e. the sum of the number of weeks each shut down exceeds 7 days

1.2 Test Methods and Procedures

Each underground mine required to test its emissions, unless an equivalent or alternative method has been approved by the Administrator, shall use the following test methods:

1.2.1 Test Method 1 of appendix A to part 60 shall be used to determine velocity traverses. The sampling point in the duct shall be either the centroid of the cross section or the point of average velocity.

1.2.2 Test Method 2 of appendix A to part 60 shall be used to determine velocity and volumetric flow rates.

1.2.3 Test Methods A-6 or A-7 of appendix B, Method 114 to part 61 shall be used for the analysis of radon-222. Use of Method A-7 requires prior approval of EPA based on conditions described in appendix B.

1.2.4 A quality assurance program shall be conducted in conformance with the programs described for Continuous Radon Monitors and Alpha Track Detectors in EPA 520/1-89-009. (2)

2. *Radon-222 Emissions from Uranium Mill Tailings Piles*

2.1 Measurement and Calculation of Radon Flux from Uranium Mill Tailings Piles.

2.1.1 Frequency of Flux Measurement. A single set of radon flux measurements may be made, or if the owner or operator chooses, more frequent measurements may be made over a one year period. These measurements may involve quarterly, monthly or weekly intervals. All radon measurements shall be made as described in paragraphs 2.1.2 through 2.1.6 except that for measurements made over a one year period, the requirement of paragraph 2.1.4(c) shall not apply. The mean radon flux from the pile shall be the arithmetic mean of the mean radon flux for each measurement period. The weather conditions, moisture content of the tailings and area of the pile covered by water existing at the time of the measurement shall be chosen so as to provide measurements representative of the long term radon flux from the pile and shall be subject to EPA review and approval.

2.1.2 Distribution of Flux Measurements. The distribution and number of radon flux measurements required on a pile will depend on clearly defined areas of the pile (called regions) that can have significantly different radon fluxes due to surface conditions. The mean radon flux shall be determined for each individual region of the pile. Regions that shall be considered for operating mill tailings piles are:

(a) Water covered areas,

- (b) Water saturated areas (beaches),
- (c) Dry top surface areas, and
- (d) Sides, except where earthen material is used in dam construction.

For mill tailings after disposal the pile shall be considered to consist of only one region.

2.1.3 Number of Flux Measurements. Radon flux measurements shall be made within each region on the pile, except for those areas covered with water. Measurements shall be made at regularly spaced locations across the surface of the region, realizing that surface roughness will prohibit measurements in some areas of a region. The minimum number of flux measurements considered necessary to determine a representative mean radon flux value for each type of region on an operating pile is:

- (a) Water covered area—no measurements required as radon flux is assumed to be zero,
- (b) Water saturated beaches—100 radon flux measurements,
- (c) Loose and dry top surface—100 radon flux measurements,
- (d) Sides—100 radon flux measurements, except where earthen material is used in dam construction.

For a mill tailings pile after disposal which consists of only one region a minimum of 100 measurements are required.

2.1.4 Restrictions to Radon Flux Measurements. The following restrictions are placed on making radon flux measurements:

- (a) Measurements shall not be initiated within 24 hours of a rainfall.
- (b) If a rainfall occurs during the 24 hour measurements period, the measurement is invalid if the seal around the lip of the collector has washed away or if the collector is surrounded by water.
- (c) Measurements shall not be performed if the ambient temperature is below 35 °F or if the ground is frozen.

2.1.5 Areas of Pile Regions. The approximate area of each region of the pile shall be determined in units of square meters.

2.1.6 Radon Flux Measurement. Measuring radon flux involves the adsorption of radon on activated charcoal in a large-area collector. The radon collector is placed on the surface of the pile area to be measured and allowed to collect radon for a time period of 24 hours. The radon collected on the charcoal is measured by gamma-ray spectroscopy. The detailed measurement procedure provided in appendix A of EPA 520/5-85-0029(1) shall be used to measure the radon flux on uranium mill tailings, except the surface of the tailings shall not be penetrated by the lip of the radon collector as directed in the procedure, rather the collector shall be carefully positioned on a flat surface with soil or tailings used to seal the edge.

2.1.7 Calculations. The mean radon flux for each region of the pile and for the total pile shall be calculated and reported as follows:

- (a) The individual radon flux calculations shall be made as provided in appendix A EPA 86 (1). The mean radon flux for each region of the pile shall be calculated by summing all individual flux measurements for the region and dividing by the total number of flux measurements for the region.
- (b) The mean radon flux for the total uranium mill tailings pile shall be calculated as follows.

$$J_s = \frac{J_1A_1 + \dots + J_2A_2 \dots + J_iA_i}{A_t}$$

Where:

$J_s$ =Mean flux for the total pile (pCi/m<sup>2</sup>-s)  
 $J_i$ =Mean flux measured in region i (pCi/m<sup>2</sup>-s)  
 $A_i$ =Area of region i (m<sup>2</sup>)  
 $A_t$ =Total area of the pile (m<sup>2</sup>)

2.1.8 Reporting. The results of individual flux measurements, the approximate locations on the pile, and the mean radon flux for each region and the mean radon flux for the total stack shall be included in the emission test report. Any condition or unusual event that occurred during the measurements that could significantly affect the results should be reported.

3.0 Radon-222 Emissions from Phosphogypsum Stacks.

3.1 Measurement and Calculation of the Mean Radon Flux. Radon flux measurements shall be made on phosphogypsum stacks as described below:

3.1.1 Frequency of Measurements. A single set of radon flux measurements may be made after the phosphogypsum stack becomes inactive, or if the owner or operator chooses, more frequent measurements may be made over a one year period. These measurements may involve quarterly, monthly or weekly intervals. All radon measurements shall be made as described in paragraphs 3.1.2 through 3.1.6 except that for measurements made over a one year period, the requirement of paragraph 3.1.4(c) shall not apply. For measurements made over a one year period, the radon flux shall be the arithmetic mean of the mean radon flux for each measurement period.

3.1.2 Distribution and Number of Flux Measurements. The distribution and number of radon flux measurements required on a stack will depend on clearly defined areas of the stack (called regions) that can have significantly different radon fluxes due to surface conditions. The mean radon flux shall be determined for each individual region of the stack. Regions that shall be considered are:

- (a) Water covered areas,
- (b) Water saturated areas (beaches),

- (c) Loose and dry top surface areas,
- (d) Hard-packed roadways, and
- (e) Sides.

3.1.3 Number of Flux Measurements. Radon flux measurements shall be made within each region on the phosphogypsum stack, except for those areas covered with water. Measurements shall be made at regularly spaced locations across the surface of the region, realizing that surface roughness will prohibit measurements in some areas of a region. The minimum number of flux measurements considered necessary to determine a representative mean radon flux value for each type of region is:

- (a) Water covered area—no measurements required as radon flux is assumed to be zero,
- (b) Water saturated beaches—50 radon flux measurements,
- (c) Loose and dry top surface—100 radon flux measurements,
- (d) Hard-packed roadways—50 radon flux measurements, and
- (e) Sides—100 radon flux measurements.

A minimum of 300 measurements are required. A stack that has no water cover can be considered to consist of two regions, top and sides, and will require a minimum of only 200 measurements.

3.1.4 Restrictions to Radon Flux Measurements. The following restrictions are placed on making radon flux measurements:

- (a) Measurements shall not be initiated within 24 hours of a rainfall.
- (b) If a rainfall occurs during the 24 hour measurement period, the measurement is invalid if the seal around the lip of the collector has washed away or if the collector is surrounded by water.
- (c) Measurements shall not be performed if the ambient temperature is below 35 °F or if the ground is frozen.

3.1.5 Areas of Stack Regions. The approximate area of each region of the stack shall be determined in units of square meters.

3.1.6 Radon Flux Measurements. Measuring radon flux involves the adsorption of radon on activated charcoal in a large-area collector. The radon collector is placed on the surface of the stack area to be measured and allowed to collect radon for a time period of 24 hours. The radon collected on the charcoal is measured by gamma-ray spectroscopy. The detailed measurement procedure provided in appendix A of EPA 520/5-85-0029(i) shall be used to measure the radon flux on phosphogypsum stacks, except the surface of the phosphogypsum shall not be penetrated by the lip of the radon collector as directed in the procedure, rather the collector shall be carefully positioned on a flat surface with soil or phosphogypsum used to seal the edge.

3.1.7 Calculations. The mean radon flux for each region of the phosphogypsum stack

and for the total stack shall be calculated and reported as follows:

- (a) The individual radon flux calculations shall be made as provided in appendix A EPA 86 (I). The mean radon flux for each region of the stack shall be calculated by summing all individual flux measurements for the region and dividing by the total number of flux measurements for the region.
- (b) The mean radon flux for the total phosphogypsum stack shall be calculated as follows.

$$J_s = \frac{J_1 A_1 + J_2 A_2 + \dots + J_i A_i}{A_t}$$

Where:

$J_s$ =Mean flux for the total stack (pCi/m<sup>2</sup>-s)  
 $J_i$ =Mean flux measured in region i (pCi/m<sup>2</sup>-s)  
 $A_i$ =Area of region i (m<sup>2</sup>)  
 $A_t$ =Total area of the stack

3.1.8 Reporting. The results of individual flux measurements, the approximate locations on the stack, and the mean radon flux for each region and the mean radon flux for the total stack shall be included in the emission test report. Any condition or unusual event that occurred during the measurements that could significantly affect the results should be reported.

4.0 Quality Assurance Procedures for Measuring Rn-222 Flux

#### A. SAMPLING PROCEDURES

Records of field activities and laboratory measurements shall be maintained. The following information shall be recorded for each charcoal canister measurement:

- (a) Site
- (b) Name of pile
- (c) Sample location
- (d) Sample ID number
- (e) Date and time on
- (f) Date and time off
- (g) Observations of meteorological conditions and comments

Records shall include all applicable information associated with determining the sample measurement, calculations, observations, and comments.

#### B. SAMPLE CUSTODY

Custodial control of all charcoal samples exposed in the field shall be maintained in accordance with EPA chain-of-custody field procedures. A control record shall document all custody changes that occur between the field and laboratory personnel.

#### C. CALIBRATION PROCEDURES AND FREQUENCY

The radioactivity of two standard charcoal sources, each containing a carefully determined quantity of radium-226 uniformly distributed through 180g of activated charcoal,

shall be measured. An efficiency factor is computed by dividing the average measured radioactivity of the two standard charcoal sources, minus the background, in cpm by the known radioactivity of the charcoal sources in dpm. The same two standard charcoal sources shall be counted at the beginning and at the end of each day's counting as a check of the radioactivity counting equipment. A background count using unexposed charcoal should also be made at the beginning and at the end of each counting day to check for inadvertent contamination of the detector or other changes affecting the background. The unexposed charcoal comprising the blank is changed with each new batch of charcoal used.

#### D. INTERNAL QUALITY CONTROL CHECKS AND FREQUENCY

The charcoal from every tenth exposed canister shall be recounted. Five percent of the samples analyzed shall be either blanks (charcoal having no radioactivity added) or samples spiked with known quantities of radium-226.

#### E. DATA PRECISION, ACCURACY, AND COMPLETENESS

The precision, accuracy, and completeness of measurements and analyses shall be within the following limits for samples measuring greater than 1.0 pCi/m<sup>2</sup>-s.

- (a) Precision: 10%
- (b) Accuracy:  $\pm 10\%$
- (c) Completeness: at least 85% of the measurements must yield useable results.

#### 5.0 REFERENCES

(1) Hartley, J.N. and Freeman, H.D., "Radon Flux Measurements on Gardiner and Royster phosphogypsum Piles Near Tampa and Mulberry, Florida," U.S. Environmental Protection Agency Report, EPA 520/5-85-029, January 1986.

(2) Environmental Protection Agency, "Indoor Radon and Radon Decay Product Measurement Protocols", EPA 520/1-89-009, U.S. Environmental Protection Agency, Washington, DC. (1989).

[38 FR 8826, Apr. 6, 1973]

EDITORIAL NOTE: For FEDERAL REGISTER citations to appendix B see the List of CFR Sections Affected appearing in the Finding Aids section of this volume.

### APPENDIX C TO PART 61—QUALITY ASSURANCE PROCEDURES

#### *Procedure 1—Determination of Adequate Chromatographic Peak Resolution*

In this method of dealing with resolution, the extent to which one chromatographic peak overlaps another is determined.

For convenience, consider the range of the elution curve of each compound as running from  $-2\sigma$  to  $+2\sigma$ . This range is used in other resolution criteria, and it contains 95.45 percent of the area of a normal curve. If two peaks are separated by a known distance,  $b$ , one can determine the fraction of the area of one curve that lies within the range of the other. The extent to which the elution curve of a contaminant compound overlaps the curve of a compound that is under analysis is found by integrating the contaminant curve over the limits  $b-2\sigma$  to  $b+2\sigma$ , where  $\sigma$  is the standard deviation of the sample curve.

This calculation can be simplified in several ways. Overlap can be determined for curves of unit area; then actual areas can be introduced. Desired integration can be resolved into two integrals of the normal distribution function for which there are convenient calculation programs and tables. An example would be Program 15 in Texas Instruments Program Manual ST1, 1975, Texas Instruments, Inc., Dallas, Texas 75222.

$$\frac{1}{\sqrt{2\pi}\sigma_c} \int_{b-2\sigma_s}^{b+2\sigma_s} e^{-\frac{t^2}{2\sigma_c^2}} dt = \frac{1}{\sqrt{2\pi}} \int_{\frac{b-2\sigma_s}{\sigma_c}}^{\frac{b+2\sigma_s}{\sigma_c}} e^{-\frac{x^2}{2}} dx = \frac{1}{\sqrt{2\pi}} \int_{\frac{b+2\sigma_s}{\sigma_c}}^{\infty} e^{-\frac{x^2}{2}} dx$$

The following calculation steps are required:\*

1.  $2\sigma_s = t_s / \sqrt{2 \ln 2}$
2.  $\sigma_c = t_c / 2\sqrt{2 \ln 2}$
3.  $x_1 = (b-2\sigma_s) / \sigma_c$
4.  $x_2 = (b+2\sigma_s) / \sigma_c$
5.  $Q(x_1) = \frac{1}{\sqrt{2\pi}} \int_{x_1}^{\infty} e^{-\frac{x^2}{2}} dx$
6.  $Q(x_2) = \frac{1}{\sqrt{2\pi}} \int_{x_2}^{\infty} e^{-\frac{x^2}{2}} dx$
7.  $I_o = Q(x_1) - Q(x_2)$
8.  $A_o = I_o A_c / A_s$
9. Percentage overlap =  $A_o \times 100$  ,

where:

$A_s$  = Area of the sample peak of interest determined by electronic integration or by the formula  $A_s = h_s t_s$ .

$A_c$  = Area of the contaminant peak, determined in the same manner as  $A_s$ .

$b$  = Distance on the chromatographic chart that separates the maxima of the two peaks.

$H_s$  = Peak height of the sample compound of interest, measured from the average value of the baseline to the maximum of the curve.

$t_s$  = Width of sample peak of interest at 1/2 peak height.

$t_c$  = Width of the contaminant peak at 1/2 of peak height.

$\sigma_s$  = Standard deviation of the sample compound of interest elution curve.

$\sigma_c$  = Standard deviation of the contaminant elution curve.

$Q(x_1)$  = Integral of the normal distribution function from  $x_1$  to infinity.

$Q(x_2)$  = Integral of the normal distribution function from  $x_2$  to infinity.

$I_o$  = Overlap integral.

$A_o$  = Area overlap fraction.

\*In most instances,  $Q(x_2)$  is very small and may be neglected.

In judging the suitability of alternate GC columns or the effects of altering chromatographic conditions, one can employ the area overlap as the resolution parameter with a specific maximum permissible value.

**Environmental Protection Agency**

**Pt. 61, App. D**

The use of Gaussian functions to describe chromatographic elution curves is widespread. However, some elution curves are highly asymmetric. In cases where the sample peak is followed by a contaminant that has a leading edge that rises sharply but the curve then tails off, it may be possible to define an effective width for  $t_c$  as "twice the distance from the leading edge to a perpendicular line through the maxim of the contaminant curve, measured along a perpendicular bisection of that line."

*Procedure 2—Procedure for Field Auditing GC Analysis*

Responsibilities of audit supervisor and analyst at the source sampling site include the following:

A. The audit supervisor verifies that audit cylinders are stored in a safe location both before and after the audit to prevent vandalism.

B. At the beginning and conclusion of the audit, the analyst records each cylinder number and pressure. An audit cylinder is never analyzed when the pressure drops below 200 psi.

C. During the audit, the analyst performs a minimum of two consecutive analyses of each audit cylinder gas. The audit must be conducted to coincide with the analysis of source test samples, normally immediately after GC calibration and prior to sample analyses.

D. At the end of audit analyses, the audit supervisor requests the calculated concentrations from the analyst and compares the results with the actual audit concentrations. If each measured concentration agrees with the respective actual concentration within  $\pm 10$  percent, he directs the analyst to begin analyzing source samples. Audit supervisor judgment and/or supervisory policy determine action when agreement is not within  $\pm 10$  percent. When a consistent bias in excess of 10 percent is found, it may be possible to proceed with the sample analysis, with a corrective factor to be applied to the results at a later time. However, every attempt should be made to locate the cause of the discrepancy, as it may be misleading. The audit supervisor records each cylinder number, cylinder pressure (at the end of the audit), and all calculated concentrations. The individual being audited must not under any circumstance be told actual audit concentrations until calculated concentrations have been submitted to the audit supervisor.

FIELD AUDIT REPORT

*Part A.*— To be filled out by organization supplying audit cylinders.

1. Organization supplying audit sample(s) and shipping address \_\_\_\_\_

2. Audit supervisor, organization, and phone number \_\_\_\_\_

3. Shipping instructions: Name, Address, Attention \_\_\_\_\_

4. Guaranteed arrival date for cylinders \_\_\_\_\_

5. Planned shipping date for cylinders \_\_\_\_\_

6. Details on audit cylinders from last analysis

|                                    | Low conc. | High conc. |
|------------------------------------|-----------|------------|
| a. Date of last analysis .....     | .....     | .....      |
| b. Cylinder number .....           | .....     | .....      |
| c. Cylinder pressure, psi .....    | .....     | .....      |
| d. Audit gas(es)/balance gas ..... | .....     | .....      |
| e. Audit gas(es), ppm .....        | .....     | .....      |
| f. Cylinder construction .....     | .....     | .....      |

*Part B.*—To be filled out by audit supervisor.

1. Process sampled \_\_\_\_\_

2. Audit location \_\_\_\_\_

3. Name of individual audit \_\_\_\_\_

4. Audit date \_\_\_\_\_

5. Audit results:

|  | Low conc. cylinder | High conc. cylinder |
|--|--------------------|---------------------|
| a. Cylinder number .....   | .....              | .....               |
| b. Cylinder pressure before audit, psi .....                             | .....              | .....               |
| c. Cylinder pressure after audit, psi .....                              | .....              | .....               |
| d. Measured concentration, ppm Injection #1* Injection #2* Average ..... | .....              | .....               |
| e. Actual audit concentration, ppm (Part A, 6e) .....                    | .....              | .....               |
| f. Audit accuracy: <sup>1</sup>  |                    |                     |
| Low Conc. Cylinder .....   | .....              | .....               |
| High Conc. Cylinder .....  | .....              | .....               |
| Percent <sup>1</sup> accuracy =  |                    |                     |
| Measured Conc. – Actual Conc.  |                    |                     |
| _____ x100   |                    |                     |
| Actual Conc.   |                    |                     |
| g. Problems detected (if any) .....                                      | .....              | .....               |

<sup>1</sup> Results of two consecutive injections that meet the sample analysis criteria of the test method.

[47 FR 39178, Sept. 7, 1982]

APPENDIX D TO PART 61—METHODS FOR ESTIMATING RADIONUCLIDE EMISSIONS

*1. Purpose and Background*

Facility owners or operators may estimate radionuclide emissions to the atmosphere for dose calculations instead of measuring emissions. Particulate emissions from mill tailings piles should be estimated using the procedures listed in reference re num;2. All other emissions may be estimated by using

the "Procedures" listed below, or using the method described in reference #1.

2. Procedure

To estimate emissions to the atmosphere:

(a) Determine the amount (in curies) used at facilities for the period under consideration. Radioactive materials in sealed packages that remain unopened, and have not leaked during the assessment period should not be included in the calculation.

(b) Multiply the amount used by the following factors which depend on the physical state of the radionuclide. They are:

- (i) 1 for gases;
- (ii)  $10^{-3}$  for liquids or particulate solids; and
- (iii)  $10^{-6}$  for solids.

If any nuclide is heated to a temperature of 100 degrees Celsius or more, boils at a temperature of 100 degrees Celsius or less, or is intentionally dispersed into the environment, it must be considered to be a gas.

(c) If a control device is installed between the place of use and the point of release, multiply emissions from (b) by an adjustment factor. These are presented in Table 1.

TABLE 1—ADJUSTMENT TO EMISSION FACTORS FOR EFFLUENT CONTROLS

| Controls   | Types of radionuclides controlled | Adjustment factor to emissions | Comments and conditions   |
|--|-----------------------------------|--------------------------------|---|
| HEPA filters .....                               | Particulates .....                | 0.01 .....                     | Not applicable to gaseous radionuclides; periodic testing is prudent to ensure high removal efficiency.                         |
| Fabric filter .....                              | Particulates .....                | 0.1 .....                      | Monitoring would be prudent to guard against tears in filter.   |
| Sintered metal .....                             | Particulates .....                | 1 .....                        | Insufficient data to make recommendation.   |
| Activated carbon filters .....                   | Iodine gas .....                  | 0.1 .....                      | Efficiency is time dependent; monitoring is necessary to ensure effectiveness.  |
| Douglas bags: Held one week or longer for decay. | Xenon .....                       | 0.5/wk .....                   | Based on xenon half-life of 5.3 days;   |
| Douglas bags: Released within one week.          | Xenon .....                       | 1 .....                        | Provides no reduction of exposure to general public.  |
| Venturi scrubbers .....                          | Particulates .....                | 0.05 .....                     | Although venturis may remove gases, variability in gaseous removal efficiency dictates adjustment factor for particulates only. |
|  | Gases .....                       | 1 .....                        |   |
| Packed bed scrubbers .....                       | Gases .....                       | 0.1 .....                      | Not applicable to particulates.   |
| Electrostatic precipitators                      | Particulates .....                | 0.05 .....                     | Not applicable for gaseous radionuclides  |
| Xenon traps .....                                | Xenon .....                       | 0.1 .....                      | Efficiency is time dependent; monitoring is necessary to ensure effectiveness.  |
| Fume hoods .....                                 | All .....                         | 1 .....                        | Provides no reduction to general public exposures.  |
| Vent stacks .....                                | All .....                         | 1 .....                        | Generally provides no reduction of exposure to general public.  |

References

(1) Environmental Protection Agency, "A Guide for Determining Compliance with the Clean Air Act Standards for Radionuclides Emissions from NRC-Licensed and Non-DOE Federal Facilities", EPA 520/1-89-002, January 1989.

(2) Nuclear Regulatory Commission, "Methods for Estimating Radioactive and Toxic Airborne Source Terms for Uranium Milling Operations", U.S. Nuclear Regulatory Commission Regulatory Guide 3.59, March 1987.

[54 FR 51711, Dec. 15, 1989]

APPENDIX E TO PART 61—COMPLIANCE PROCEDURES METHODS FOR DETERMINING COMPLIANCE WITH SUBPART I

1. Purpose and Background

This Appendix provides simplified procedures to reduce the burden on Nuclear Regu-

latory Commission (NRC) licensees, and non-Department of Energy Federal facilities in determining compliance with 40 CFR part 61, subpart I. The procedures consist of a series of increasingly more stringent steps, depending on the facility's potential to exceed the standard.

First, a facility can be found in compliance if the quantity of radioactive material possessed during the year is less than that listed in a table of annual possession quantities. A facility will also be in compliance if the average annual radionuclide emission concentration is less than that listed in a table of air concentration levels. If the facility is not in compliance by these tables, it can establish compliance by estimating a dose using screening procedure developed by the National Council on Radiation Protection and Measurements with a radiological source term derived using EPA approved emission factors. These procedures are described in a "Guide for Determining Compliance with the



**Environmental Protection Agency**

**Pt. 61, App. E**

Clean Air Act Standards for Radionuclide Emissions From NRC-Licensed and Non-DOE Federal Facilities.”

A user-friendly computer program called COMPLY has been developed to reduce the burden on the regulated community. The Agency has also prepared a “User’s Guide for the COMPLY Code” to assist the regulated community in using the code, and in handling more complex situations such as multiple release points. The basis for these compliance procedures are provided in “Background Information Document: Procedures Approved for Demonstrating Compliance with 40 CFR Part 61, Subpart I”. The compliance model is the highest level in the COMPLY computer code and provides for the most realistic assessment of dose by allowing the use of site-specific information.

*2. Table of Annual Possession Quantity*

(a) Table 1 may be used for determining if facilities are in compliance with the standard. The possession table can only be used if the following conditions are met:

(i) No person lives within 10 meters of any release point; and

(ii) No milk, meat, or vegetables are produced within 100 meters of any release point.

(b) Procedures described in Reference (1) shall be used to determine compliance or exemption from reporting by use of Table 2.

**TABLE 1—ANNUAL POSSESSION QUANTITIES FOR ENVIRONMENTAL COMPLIANCE**  
[Annual Possession Quantities (Ci/yr)]

| Radionuclide | Gaseous form* | Liquid/powder forms | Solid form* |
|--------------|---------------|---------------------|-------------|
| Ac-225       | 9.6E-05       | 9.6E-02             | 9.6E+01     |
| Ac-227       | 1.6E-07       | 1.6E-04             | 1.6E-01     |
| Ac-228       | 3.4E-03       | 3.4E+00             | 3.4E+03     |
| Ag-106       | 1.6E+00       | 1.6E+03             | 1.6E+06     |
| Ag-106m      | 2.6E-03       | 2.6E+00             | 2.6E+03     |
| Ag-108m      | 6.5E-06       | 6.5E-03             | 6.5E+00     |
| Ag-110m      | 9.4E-05       | 9.4E-02             | 9.4E+01     |
| Ag-111       | 6.7E-02       | 6.7E+01             | 6.7E+04     |
| Al-26        | 4.0E-06       | 4.0E-03             | 4.0E+00     |
| Am-241       | 2.3E-06       | 2.3E-03             | 2.3E+00     |
| Am-242       | 1.8E-02       | 1.8E+01             | 1.8E+04     |
| Am-242m      | 2.5E-06       | 2.5E-03             | 2.5E+00     |
| Am-243       | 2.3E-06       | 2.3E-03             | 2.3E+00     |
| Am-244       | 4.6E-02       | 4.6E+01             | 4.6E+04     |
| Am-245       | 7.0E+00       | 7.0E+03             | 7.0E+06     |
| Am-246       | 9.8E-01       | 9.8E+02             | 9.8E+05     |
| Ar-37        | 1.4E+06       |                     |             |
| Ar-41        | 1.4E+00       |                     |             |
| As-72        | 2.9E-02       | 2.9E+01             | 2.9E+04     |
| As-73        | 6.0E-02       | 6.0E+01             | 6.0E+04     |
| As-74        | 4.3E-03       | 4.3E+00             | 4.3E+03     |
| As-76        | 8.8E-02       | 8.8E+01             | 8.8E+04     |
| As-77        | 7.9E-01       | 7.9E+02             | 7.9E+05     |
| At-211       | 1.0E-02       | 1.0E+01             | 1.0E+04     |
| Au-193       | 4.2E-01       | 4.2E+02             | 4.2E+05     |
| Au-194       | 3.5E-02       | 3.5E+01             | 3.5E+04     |
| Au-195       | 3.3E-03       | 3.3E+00             | 3.3E+03     |
| Au-198       | 4.6E-02       | 4.6E+01             | 4.6E+04     |
| Au-199       | 1.5E-01       | 1.5E+02             | 1.5E+05     |
| Ba-131       | 1.0E-02       | 1.0E+01             | 1.0E+04     |

**TABLE 1—ANNUAL POSSESSION QUANTITIES FOR ENVIRONMENTAL COMPLIANCE—Continued**  
[Annual Possession Quantities (Ci/yr)]

| Radionuclide | Gaseous form* | Liquid/powder forms | Solid form* |
|--------------|---------------|---------------------|-------------|
| Ba-133       | 4.9E-05       | 4.9E-02             | 4.9E+01     |
| Ba-133m      | 9.3E-02       | 9.3E+01             | 9.3E+04     |
| Ba-135m      | 5.8E-01       | 5.8E+02             | 5.8E+05     |
| Ba-139       | 4.7E+00       | 4.7E+03             | 4.7E+06     |
| Ba-140       | 2.1E-03       | 2.1E+00             | 2.1E+03     |
| Ba-141       | 1.3E+00       | 1.3E+03             | 1.3E+06     |
| Ba-142       | 1.1E+00       | 1.1E+03             | 1.1E+06     |
| Be-7         | 2.3E-02       | 2.3E+01             | 2.3E+04     |
| Be-10        | 3.0E-03       | 3.0E+00             | 3.0E+03     |
| Bi-206       | 3.1E-03       | 3.1E+00             | 3.1E+03     |
| Bi-207       | 8.4E-06       | 8.4E-03             | 8.4E+00     |
| Bi-210       | 4.2E-03       | 4.2E+00             | 4.2E+03     |
| Bi-212       | 4.7E-02       | 4.7E+01             | 4.7E+04     |
| Bi-213       | 6.0E-02       | 6.0E+01             | 6.0E+04     |
| Bi-214       | 1.4E-01       | 1.4E+02             | 1.4E+05     |
| Bk-249       | 7.0E-04       | 7.0E-01             | 7.0E+02     |
| Bk-250       | 1.0E-01       | 1.0E+02             | 1.0E+05     |
| Br-77        | 7.5E-02       | 7.5E+01             | 7.5E+04     |
| Br-80        | 1.2E+01       | 1.2E+04             | 1.2E+07     |
| Br-80m       | 1.5E+00       | 1.5E+03             | 1.5E+06     |
| Br-82        | 1.6E-02       | 1.6E+01             | 1.6E+04     |
| Br-83        | 9.9E+00       | 9.9E+03             | 9.9E+06     |
| Br-84        | 5.6E-01       | 5.6E+02             | 5.6E+05     |
| C-11         | 1.3E+00       | 1.3E+03             | 1.3E+06     |
| C-14         | 2.9E-01       | 2.9E+02             | 2.9E+05     |
| Ca-41        | 2.7E-02       | 2.7E+01             | 2.7E+04     |
| Ca-45        | 5.8E-02       | 5.8E+01             | 5.8E+04     |
| Ca-47        | 1.1E-02       | 1.1E+01             | 1.1E+04     |
| Cd-109       | 5.0E-03       | 5.0E+00             | 5.0E+03     |
| Cd-113       | 3.3E-04       | 3.3E-01             | 3.3E+02     |
| Cd-113m      | 4.4E-04       | 4.4E-01             | 4.4E+02     |
| Cd-115       | 5.4E-02       | 5.4E+01             | 5.4E+04     |
| Cd-115m      | 1.0E-02       | 1.0E+01             | 1.0E+04     |
| Cd-117       | 5.6E-02       | 5.6E+01             | 5.6E+04     |
| Cd-117m      | 1.3E-01       | 1.3E+02             | 1.3E+05     |
| Ce-139       | 2.6E-03       | 2.6E+00             | 2.6E+03     |
| Ce-141       | 1.8E-02       | 1.8E+01             | 1.8E+04     |
| Ce-143       | 1.0E-01       | 1.0E+02             | 1.0E+05     |
| Ce-144       | 1.7E-03       | 1.7E+00             | 1.7E+03     |
| Cf-248       | 2.0E-05       | 2.0E-02             | 2.0E+01     |
| Cf-249       | 1.7E-06       | 1.7E-03             | 1.7E+00     |
| Cf-250       | 4.0E-06       | 4.0E-03             | 4.0E+00     |
| Cf-251       | 1.7E-06       | 1.7E-03             | 1.7E+00     |
| Cf-252       | 6.4E-06       | 6.4E-03             | 6.4E+00     |
| Cf-253       | 3.3E-04       | 3.3E-01             | 3.3E+02     |
| Cf-254       | 3.6E-06       | 3.6E-03             | 3.6E+00     |
| Cl-36        | 1.9E-04       | 1.9E-01             | 1.9E+02     |
| Cl-38        | 6.5E-01       | 6.5E+02             | 6.5E+05     |
| Cm-242       | 6.0E-05       | 6.0E-02             | 6.0E+01     |
| Cm-243       | 3.3E-06       | 3.3E-03             | 3.3E+00     |
| Cm-244       | 4.2E-06       | 4.2E-03             | 4.2E+00     |
| Cm-245       | 2.3E-06       | 2.3E-03             | 2.3E+00     |
| Cm-246       | 2.3E-06       | 2.3E-03             | 2.3E+00     |
| Cm-247       | 2.3E-06       | 2.3E-03             | 2.3E+00     |
| Cm-248       | 6.4E-07       | 6.4E-04             | 6.4E-01     |
| Cm-249       | 4.6E+00       | 4.6E+03             | 4.6E+06     |
| Cm-250       | 1.1E-07       | 1.1E-04             | 1.1E-01     |
| Co-56        | 2.4E-04       | 2.4E-01             | 2.4E+02     |
| Co-57        | 1.6E-03       | 1.6E+00             | 1.6E+03     |
| Co-58        | 9.0E-04       | 9.0E-01             | 9.0E+02     |
| Co-58m       | 1.7E-01       | 1.7E+02             | 1.7E+05     |
| Co-60        | 1.6E-05       | 1.6E-02             | 1.6E+01     |
| Co-60m       | 4.0E+00       | 4.0E+03             | 4.0E+06     |
| Co-61        | 3.8E+00       | 3.8E+03             | 3.8E+06     |
| Cr-49        | 9.0E-01       | 9.0E+02             | 9.0E+05     |
| Cr-51        | 6.3E-02       | 6.3E+01             | 6.3E+04     |
| Cs-129       | 1.5E-01       | 1.5E+02             | 1.5E+05     |
| Cs-131       | 2.8E-01       | 2.8E+02             | 2.8E+05     |

TABLE 1—ANNUAL POSSESSION QUANTITIES FOR ENVIRONMENTAL COMPLIANCE—Continued  
[Annual Possession Quantities (Ci/yr)]

| Radionuclide | Gaseous form* | Liquid/powder forms | Solid form* |
|--------------|---------------|---------------------|-------------|
| Cs-132       | 1.3E-02       | 1.3E+01             | 1.3E+04     |
| Cs-134       | 5.2E-05       | 5.2E-02             | 5.2E+01     |
| Cs-134m      | 3.2E-01       | 3.2E+02             | 3.2E+05     |
| Cs-135       | 2.4E-02       | 2.4E+01             | 2.4E+04     |
| Cs-136       | 2.1E-03       | 2.1E+00             | 2.1E+03     |
| Cs-137       | 2.3E-05       | 2.3E-02             | 2.3E+01     |
| Cs-138       | 4.4E-01       | 4.4E+02             | 4.4E+05     |
| Cu-61        | 4.0E-01       | 4.0E+02             | 4.0E+05     |
| Cu-64        | 5.2E-01       | 5.2E+02             | 5.2E+05     |
| Cu-67        | 1.5E-01       | 1.5E+02             | 1.5E+05     |
| Dy-157       | 4.4E-01       | 4.4E+02             | 4.4E+05     |
| Dy-165       | 5.6E+00       | 5.6E+03             | 5.6E+06     |
| Dy-166       | 8.1E-02       | 8.1E+01             | 8.1E+04     |
| Er-169       | 4.0E-01       | 4.0E+02             | 4.0E+05     |
| Er-171       | 3.6E-01       | 3.6E+02             | 3.6E+05     |
| Es-253       | 2.6E-04       | 2.6E-01             | 2.6E+02     |
| Es-254       | 2.3E-05       | 2.3E-02             | 2.3E+01     |
| Es-254m      | 1.8E-03       | 1.8E+00             | 1.8E+03     |
| Eu-152       | 1.6E-05       | 1.6E-02             | 1.6E+01     |
| Eu-152m      | 3.5E-01       | 3.5E+02             | 3.5E+05     |
| Eu-154       | 2.0E-05       | 2.0E-02             | 2.0E+01     |
| Eu-155       | 5.2E-04       | 5.2E-01             | 5.2E+02     |
| Eu-156       | 3.2E-03       | 3.2E+00             | 3.2E+03     |
| F-18         | 5.6E-01       | 5.6E+02             | 5.6E+05     |
| Fe-52        | 4.9E-02       | 4.9E+01             | 4.9E+04     |
| Fe-55        | 1.4E-01       | 1.4E+02             | 1.4E+05     |
| Fe-59        | 1.3E-03       | 1.3E+00             | 1.3E+03     |
| Fm-254       | 1.8E-02       | 1.8E+01             | 1.8E+04     |
| Fm-255       | 4.0E-03       | 4.0E+00             | 4.0E+03     |
| Fr-223       | 1.4E-01       | 1.4E+02             | 1.4E+05     |
| Ga-66        | 5.6E-02       | 5.6E+01             | 5.6E+04     |
| Ga-67        | 1.1E-01       | 1.1E+02             | 1.1E+05     |
| Ga-68        | 7.6E-01       | 7.6E+02             | 7.6E+05     |
| Ga-72        | 3.6E-02       | 3.6E+01             | 3.6E+04     |
| Gd-152       | 4.4E-06       | 4.4E-03             | 4.4E+00     |
| Gd-153       | 2.0E-03       | 2.0E+00             | 2.0E+03     |
| Gd-159       | 6.8E-01       | 6.8E+02             | 6.8E+05     |
| Ge-68        | 2.3E-04       | 2.3E-01             | 2.3E+02     |
| Ge-71        | 2.6E+00       | 2.6E+03             | 2.6E+06     |
| Ge-77        | 1.0E-01       | 1.0E+02             | 1.0E+05     |
| H-3          | 1.5E+01       | 1.5E+04             | 1.5E+07     |
| Hf-181       | 2.5E-03       | 2.5E+00             | 2.5E+03     |
| Hg-193m      | 9.5E-02       | 9.5E+01             | 9.5E+04     |
| Hg-197       | 2.4E-01       | 2.4E+02             | 2.4E+05     |
| Hg-197m      | 2.5E-01       | 2.5E+02             | 2.5E+05     |
| Hg-203       | 5.2E-03       | 5.2E+00             | 5.2E+03     |
| Ho-166       | 2.8E-01       | 2.8E+02             | 2.8E+05     |
| Ho-166m      | 6.0E-06       | 6.0E-03             | 6.0E+00     |
| I-123        | 4.9E-01       | 4.9E+02             | 4.9E+05     |
| I-124        | 9.3E-03       | 9.3E+00             | 9.3E+03     |
| I-125        | 6.2E-03       | 6.2E+00             | 6.2E+03     |
| I-126        | 3.7E-03       | 3.7E+00             | 3.7E+03     |
| I-128        | 9.3E+00       | 9.3E+03             | 9.3E+06     |
| I-129        | 2.6E-04       | 2.6E-01             | 2.6E+02     |
| I-130        | 4.6E-02       | 4.6E+01             | 4.6E+04     |
| I-131        | 6.7E-03       | 6.7E+00             | 6.7E+03     |
| I-132        | 2.0E-01       | 2.0E+02             | 2.0E+05     |
| I-133        | 6.7E-02       | 6.7E+01             | 6.7E+04     |
| I-134        | 3.2E-01       | 3.2E+02             | 3.2E+05     |
| I-135        | 1.2E-01       | 1.2E+02             | 1.2E+05     |
| In-111       | 4.9E-02       | 4.9E+01             | 4.9E+04     |
| In-113m      | 2.1E+00       | 2.1E+03             | 2.1E+06     |
| In-114m      | 4.9E-03       | 4.9E+00             | 4.9E+03     |
| In-115       | 2.7E-04       | 2.7E-01             | 2.7E+02     |
| In-115m      | 1.4E+00       | 1.4E+03             | 1.4E+06     |
| In-116m      | 3.5E-01       | 3.5E+02             | 3.5E+05     |
| In-117       | 1.3E+00       | 1.3E+03             | 1.3E+06     |
| In-117m      | 7.6E-02       | 7.6E+01             | 7.6E+04     |

TABLE 1—ANNUAL POSSESSION QUANTITIES FOR ENVIRONMENTAL COMPLIANCE—Continued  
[Annual Possession Quantities (Ci/yr)]

| Radionuclide | Gaseous form* | Liquid/powder forms | Solid form* |
|--------------|---------------|---------------------|-------------|
| Ir-190       | 3.5E-03       | 3.5E+00             | 3.5E+03     |
| Ir-192       | 9.7E-04       | 9.7E-01             | 9.7E+02     |
| Ir-194       | 2.5E-01       | 2.5E+02             | 2.5E+05     |
| Ir-194m      | 1.5E-04       | 1.5E-01             | 1.5E+02     |
| K-40         | 6.8E-05       | 6.8E-02             | 6.8E+01     |
| K-42         | 2.9E-01       | 2.9E+02             | 2.9E+05     |
| K-43         | 6.0E-02       | 6.0E+01             | 6.0E+04     |
| K-44         | 4.9E-01       | 4.9E+02             | 4.9E+05     |
| Kr-79        | 7.0E+00       | .....               | .....       |
| Kr-81        | 1.8E+02       | .....               | .....       |
| Kr-83m       | 2.0E+04       | .....               | .....       |
| Kr-85        | 8.4E+02       | .....               | .....       |
| Kr-85m       | 1.1E+01       | .....               | .....       |
| Kr-87        | 2.0E+00       | .....               | .....       |
| Kr-88        | 4.2E-01       | .....               | .....       |
| La-140       | 1.6E-02       | 1.6E+01             | 1.6E+04     |
| La-141       | 1.1E+00       | 1.1E+03             | 1.1E+06     |
| La-142       | 2.3E-01       | 2.3E+02             | 2.3E+05     |
| Lu-177       | 1.4E-01       | 1.4E+02             | 1.4E+05     |
| Lu-177m      | 3.5E-04       | 3.5E-01             | 3.5E+02     |
| Mg-28        | 2.1E-02       | 2.1E+01             | 2.1E+04     |
| Mn-52        | 3.5E-03       | 3.5E+00             | 3.5E+03     |
| Mn-52m       | 5.2E-01       | 5.2E+02             | 5.2E+05     |
| Mn-53        | 5.7E-02       | 5.7E+01             | 5.7E+04     |
| Mn-54        | 2.5E-04       | 2.5E-01             | 2.5E+02     |
| Mn-56        | 2.5E-01       | 2.5E+02             | 2.5E+05     |
| Mo-93        | 1.5E-03       | 1.5E+00             | 1.5E+03     |
| Mo-99**      | 5.7E-02       | 5.7E+01             | 5.7E+04     |
| Mo-101       | 8.4E-01       | 8.4E+02             | 8.4E+05     |
| Na-22        | 3.2E-05       | 3.2E-02             | 3.2E+01     |
| Na-24        | 2.6E-02       | 2.6E+01             | 2.6E+04     |
| Nb-90        | 2.5E-02       | 2.5E+01             | 2.5E+04     |
| Nb-93m       | 1.2E-02       | 1.2E+01             | 1.2E+04     |
| Nb-94        | 6.0E-06       | 6.0E-03             | 6.0E+00     |
| Nb-95        | 2.3E-03       | 2.3E+00             | 2.3E+03     |
| Nb-95m       | 2.0E-02       | 2.0E+01             | 2.0E+04     |
| Nb-96        | 2.5E-02       | 2.5E+01             | 2.5E+04     |
| Nb-97        | 1.0E+00       | 1.0E+03             | 1.0E+06     |
| Nd-147       | 3.0E-02       | 3.0E+01             | 3.0E+04     |
| Nd-149       | 1.1E+00       | 1.1E+03             | 1.1E+06     |
| Ni-56        | 2.0E-03       | 2.0E+00             | 2.0E+03     |
| Ni-57        | 2.1E-02       | 2.1E+01             | 2.1E+04     |
| Ni-59        | 2.2E-02       | 2.2E+01             | 2.2E+04     |
| Ni-63        | 1.4E-01       | 1.4E+02             | 1.4E+05     |
| Ni-65        | 7.0E-01       | 7.0E+02             | 7.0E+05     |
| Np-235       | 3.0E-02       | 3.0E+01             | 3.0E+04     |
| Np-237       | 1.8E-06       | 1.8E-03             | 1.8E+00     |
| Np-238       | 1.9E-02       | 1.9E+01             | 1.9E+04     |
| Np-239       | 1.0E-01       | 1.0E+02             | 1.0E+05     |
| Np-240       | 6.5E-01       | 6.5E+02             | 6.5E+05     |
| Np-240m      | 4.7E+00       | 4.7E+03             | 4.7E+06     |
| Os-185       | 9.2E-04       | 9.2E-01             | 9.2E+02     |
| Os-191m      | 9.0E-01       | 9.0E+02             | 9.0E+05     |
| Os-191       | 3.8E-02       | 3.8E+01             | 3.8E+04     |
| Os-193       | 2.9E-01       | 2.9E+02             | 2.9E+05     |
| P-32         | 1.7E-02       | 1.7E+01             | 1.7E+04     |
| P-33         | 1.2E-01       | 1.2E+02             | 1.2E+05     |
| Pa-230       | 6.3E-04       | 6.3E-01             | 6.3E+02     |
| Pa-231       | 8.3E-07       | 8.3E-04             | 8.3E-01     |
| Pa-233       | 9.3E-03       | 9.3E+00             | 9.3E+03     |
| Pa-234       | 9.3E-02       | 9.3E+01             | 9.3E+04     |
| Pb-203       | 8.3E-02       | 8.3E+01             | 8.3E+04     |
| Pb-205       | 1.2E-02       | 1.2E+01             | 1.2E+04     |
| Pb-209       | 1.1E+01       | 1.1E+04             | 1.1E+07     |
| Pb-210       | 5.5E-05       | 5.5E-02             | 5.5E+01     |
| Pb-211       | 1.2E-01       | 1.2E+02             | 1.2E+05     |
| Pb-212       | 6.0E-03       | 6.0E+00             | 6.0E+03     |
| Pb-214       | 1.2E-01       | 1.2E+02             | 1.2E+05     |

Environmental Protection Agency

Pt. 61, App. E

TABLE 1—ANNUAL POSSESSION QUANTITIES FOR ENVIRONMENTAL COMPLIANCE—Continued  
[Annual Possession Quantities (Ci/yr)]

| Radionuclide | Gaseous form* | Liquid/powder forms | Solid form* |
|--------------|---------------|---------------------|-------------|
| Pd-103       | 2.1E-01       | 2.1E+02             | 2.1E+05     |
| Pd-107       | 8.2E-02       | 8.2E+01             | 8.2E+04     |
| Pd-109       | 9.4E-01       | 9.4E+02             | 9.4E+05     |
| Pm-143       | 7.6E-04       | 7.6E-01             | 7.6E+02     |
| Pm-144       | 1.1E-04       | 1.1E-01             | 1.1E+02     |
| Pm-145       | 5.2E-04       | 5.2E-01             | 5.2E+02     |
| Pm-146       | 4.4E-05       | 4.4E-02             | 4.4E+01     |
| Pm-147       | 2.6E-02       | 2.6E+01             | 2.6E+04     |
| Pm-148       | 1.7E-02       | 1.7E+01             | 1.7E+04     |
| Pm-148m      | 7.6E-04       | 7.6E-01             | 7.6E+02     |
| Pm-149       | 2.8E-01       | 2.8E+02             | 2.8E+05     |
| Pm-151       | 1.2E-01       | 1.2E+02             | 1.2E+05     |
| Po-210       | 9.3E-05       | 9.3E-02             | 9.3E+01     |
| Pr-142       | 2.8E-01       | 2.8E+02             | 2.8E+05     |
| Pr-143       | 1.0E-01       | 1.0E+02             | 1.0E+05     |
| Pr-144       | 1.5E+01       | 1.5E+04             | 1.5E+07     |
| Pt-191       | 6.4E-02       | 6.4E+01             | 6.4E+04     |
| Pt-193       | 2.1E-02       | 2.1E+01             | 2.1E+04     |
| Pt-193m      | 4.8E-01       | 4.8E+02             | 4.8E+05     |
| Pt-195m      | 1.4E-01       | 1.4E+02             | 1.4E+05     |
| Pt-197       | 1.1E+00       | 1.1E+03             | 1.1E+06     |
| Pt-197m      | 3.6E+00       | 3.6E+03             | 3.6E+06     |
| Pu-236       | 7.0E-06       | 7.0E-03             | 7.0E+00     |
| Pu-237       | 2.3E-02       | 2.3E+01             | 2.3E+04     |
| Pu-238       | 2.7E-06       | 2.7E-03             | 2.7E+00     |
| Pu-239       | 2.5E-06       | 2.5E-03             | 2.5E+00     |
| Pu-240       | 2.5E-06       | 2.5E-03             | 2.5E+00     |
| Pu-241       | 1.3E-04       | 1.3E-01             | 1.3E+02     |
| Pu-242       | 2.5E-06       | 2.5E-03             | 2.5E+00     |
| Pu-243       | 3.8E+00       | 3.8E+03             | 3.8E+06     |
| Pu-244       | 2.4E-06       | 2.4E-03             | 2.4E+00     |
| Pu-245       | 2.1E-01       | 2.1E+02             | 2.1E+05     |
| Pu-246       | 4.8E-03       | 4.8E+00             | 4.8E+03     |
| Ra-223       | 1.3E-04       | 1.3E-01             | 1.3E+02     |
| Ra-224       | 3.2E-04       | 3.2E-01             | 3.2E+02     |
| Ra-225       | 1.3E-04       | 1.3E-01             | 1.3E+02     |
| Ra-226       | 5.5E-06       | 5.5E-03             | 5.5E+00     |
| Ra-228       | 1.3E-05       | 1.3E-02             | 1.3E+01     |
| Rb-81        | 4.2E-01       | 4.2E+02             | 4.2E+05     |
| Rb-83        | 1.4E-03       | 1.4E+00             | 1.4E+03     |
| Rb-84        | 2.0E-03       | 2.0E+00             | 2.0E+03     |
| Rb-86        | 1.7E-02       | 1.7E+01             | 1.7E+04     |
| Rb-87        | 1.0E-02       | 1.0E+01             | 1.0E+04     |
| Rb-88        | 1.7E+00       | 1.7E+03             | 1.7E+06     |
| Rb-89        | 6.4E-01       | 6.4E+02             | 6.4E+05     |
| Re-184       | 1.8E-03       | 1.8E+00             | 1.8E+03     |
| Re-184m      | 3.6E-04       | 3.6E-01             | 3.6E+02     |
| Re-186       | 1.9E-01       | 1.9E+02             | 1.9E+05     |
| Re-187       | 9.3E+00       | 9.3E+03             | 9.3E+06     |
| Re-188       | 3.7E-01       | 3.7E+02             | 3.7E+05     |
| Rh-103m      | 1.7E+02       | 1.7E+05             | 1.7E+08     |
| Rh-105       | 3.4E-01       | 3.4E+02             | 3.4E+05     |
| Ru-97        | 8.3E-02       | 8.3E+01             | 8.3E+04     |
| Ru-103       | 3.1E-03       | 3.1E+00             | 3.1E+03     |
| Ru-105       | 2.9E-01       | 2.9E+02             | 2.9E+05     |
| Ru-106       | 5.9E-04       | 5.9E-01             | 5.9E+02     |
| S-35         | 7.5E-02       | 7.5E+01             | 7.5E+04     |
| Sb-117       | 2.0E+00       | 2.0E+03             | 2.0E+06     |
| Sb-122       | 3.9E-02       | 3.9E+01             | 3.9E+04     |
| Sb-124       | 6.0E-04       | 6.0E-01             | 6.0E+02     |
| Sb-125       | 1.4E-04       | 1.4E-01             | 1.4E+02     |
| Sb-126       | 1.8E-03       | 1.8E+00             | 1.8E+03     |
| Sb-126m      | 7.6E-01       | 7.6E+02             | 7.6E+05     |
| Sb-127       | 2.0E-02       | 2.0E+01             | 2.0E+04     |
| Sb-129       | 1.8E-01       | 1.8E+02             | 1.8E+05     |
| Sc-44        | 1.4E-01       | 1.4E+02             | 1.4E+05     |
| Sc-46        | 4.0E-04       | 4.0E-01             | 4.0E+02     |
| Sc-47        | 1.1E-01       | 1.1E+02             | 1.1E+05     |

TABLE 1—ANNUAL POSSESSION QUANTITIES FOR ENVIRONMENTAL COMPLIANCE—Continued  
[Annual Possession Quantities (Ci/yr)]

| Radionuclide | Gaseous form* | Liquid/powder forms | Solid form* |
|--------------|---------------|---------------------|-------------|
| Sc-48        | 1.1E-02       | 1.1E+01             | 1.1E+04     |
| Sc-49        | 1.0E+01       | 1.0E+04             | 1.0E+07     |
| Se-73        | 1.6E-01       | 1.6E+02             | 1.6E+05     |
| Se-75        | 1.1E-03       | 1.1E+00             | 1.1E+03     |
| Se-79        | 6.9E-03       | 6.9E+00             | 6.9E+03     |
| Si-31        | 4.7E+00       | 4.7E+03             | 4.7E+06     |
| Si-32        | 7.2E-04       | 7.2E-01             | 7.2E+02     |
| Sm-147       | 1.4E-05       | 1.4E-02             | 1.4E+01     |
| Sm-151       | 3.5E-02       | 3.5E+01             | 3.5E+04     |
| Sm-153       | 2.4E-01       | 2.4E+02             | 2.4E+05     |
| Sn-113       | 1.9E-03       | 1.9E+00             | 1.9E+03     |
| Sn-117m      | 2.3E-02       | 2.3E+01             | 2.3E+04     |
| Sn-119m      | 2.8E-02       | 2.8E+01             | 2.8E+04     |
| Sn-123       | 1.8E-02       | 1.8E+01             | 1.8E+04     |
| Sn-125       | 7.2E-03       | 7.2E+00             | 7.2E+03     |
| Sn-126       | 4.7E-06       | 4.7E-03             | 4.7E+00     |
| Sr-82        | 1.9E-03       | 1.9E+00             | 1.9E+03     |
| Sr-85        | 1.9E-03       | 1.9E+00             | 1.9E+03     |
| Sr-85m       | 1.5E+00       | 1.5E+03             | 1.5E+06     |
| Sr-87m       | 1.2E+00       | 1.2E+03             | 1.2E+06     |
| Sr-89        | 2.1E-02       | 2.1E+01             | 2.1E+04     |
| Sr-90        | 5.2E-04       | 5.2E-01             | 5.2E+02     |
| Sr-91        | 1.2E-01       | 1.2E+02             | 1.2E+05     |
| Sr-92        | 2.5E-01       | 2.5E+02             | 2.5E+05     |
| Ta-182       | 4.4E-04       | 4.4E-01             | 4.4E+02     |
| Tb-157       | 2.2E-03       | 2.2E+00             | 2.2E+03     |
| Tb-160       | 8.4E-04       | 8.4E-01             | 8.4E+02     |
| Tc-95        | 9.0E-02       | 9.0E+01             | 9.0E+04     |
| Tc-95m       | 1.4E-03       | 1.4E+00             | 1.4E+03     |
| Tc-96        | 5.6E-03       | 5.6E+00             | 5.6E+03     |
| Tc-96m       | 7.0E-01       | 7.0E+02             | 7.0E+05     |
| Tc-97        | 1.5E-03       | 1.5E+00             | 1.5E+03     |
| Tc-97m       | 7.2E-02       | 7.2E+01             | 7.2E+04     |
| Tc-98        | 6.4E-06       | 6.4E-03             | 6.4E+00     |
| Tc-99        | 9.0E-03       | 9.0E+00             | 9.0E+03     |
| Tc-99m       | 1.4E+00       | 1.4E+03             | 1.4E+06     |
| Tc-101       | 3.8E+00       | 3.8E+03             | 3.8E+06     |
| Te-121       | 6.0E-03       | 6.0E+00             | 6.0E+03     |
| Te-121m      | 5.3E-04       | 5.3E-01             | 5.3E+02     |
| Te-123       | 1.2E-03       | 1.2E+00             | 1.2E+03     |
| Te-123m      | 2.7E-03       | 2.7E+00             | 2.7E+03     |
| Te-125m      | 1.5E-02       | 1.5E+01             | 1.5E+04     |
| Te-127       | 2.9E+00       | 2.9E+03             | 2.9E+06     |
| Te-127m      | 7.3E-03       | 7.3E+00             | 7.3E+03     |
| Te-129       | 6.5E+00       | 6.5E+03             | 6.5E+06     |
| Te-129m      | 6.1E-03       | 6.1E+00             | 6.1E+03     |
| Te-131       | 9.4E-01       | 9.4E+02             | 9.4E+05     |
| Te-131m      | 1.8E-02       | 1.8E+01             | 1.8E+04     |
| Te-132       | 6.2E-03       | 6.2E+00             | 6.2E+03     |
| Te-133       | 1.2E+00       | 1.2E+03             | 1.2E+06     |
| Te-133m      | 2.9E-01       | 2.9E+02             | 2.9E+05     |
| Te-134       | 4.4E-01       | 4.4E+02             | 4.4E+05     |
| Th-226       | 3.0E-02       | 3.0E+01             | 3.0E+04     |
| Th-227       | 6.4E-05       | 6.4E-02             | 6.4E+01     |
| Th-228       | 2.9E-06       | 2.9E-03             | 2.9E+00     |
| Th-229       | 4.9E-07       | 4.9E-04             | 4.9E-01     |
| Th-230       | 3.2E-06       | 3.2E-03             | 3.2E+00     |
| Th-231       | 8.4E-01       | 8.4E+02             | 8.4E+05     |
| Th-232       | 6.0E-07       | 6.0E-04             | 6.0E-01     |
| Th-234       | 2.0E-02       | 2.0E+01             | 2.0E+04     |
| Ti-44        | 5.2E-06       | 5.2E-03             | 5.2E+00     |
| Ti-45        | 4.0E-01       | 4.0E+02             | 4.0E+05     |
| Tl-200       | 4.4E-02       | 4.4E+01             | 4.4E+04     |
| Tl-201       | 1.8E-01       | 1.8E+02             | 1.8E+05     |
| Tl-202       | 1.0E-02       | 1.0E+01             | 1.0E+04     |
| Tl-204       | 2.5E-02       | 2.5E+01             | 2.5E+04     |
| Tm-170       | 2.4E-02       | 2.4E+01             | 2.4E+04     |
| Tm-171       | 5.9E-02       | 5.9E+01             | 5.9E+04     |

TABLE 1—ANNUAL POSSESSION QUANTITIES FOR ENVIRONMENTAL COMPLIANCE—Continued  
[Annual Possession Quantities (Ci/yr)]

| Radionuclide | Gaseous form* | Liquid/powder forms | Solid form* |
|--------------|---------------|---------------------|-------------|
| U-230        | 5.0E-05       | 5.0E-02             | 5.0E+01     |
| U-231        | 1.4E-01       | 1.4E+02             | 1.4E+05     |
| U-232        | 1.3E-06       | 1.3E-03             | 1.3E+00     |
| U-233        | 7.6E-06       | 7.6E-03             | 7.6E+00     |
| U-234        | 7.6E-06       | 7.6E-03             | 7.6E+00     |
| U-235        | 7.0E-06       | 7.0E-03             | 7.0E+00     |
| U-236        | 8.4E-06       | 8.4E-03             | 8.4E+00     |
| U-237        | 4.7E-02       | 4.7E+01             | 4.7E+04     |
| U-238        | 8.6E-06       | 8.6E-03             | 8.6E+00     |
| U-239        | 8.3E+00       | 8.3E+03             | 8.3E+06     |
| U-240        | 1.8E-01       | 1.8E+02             | 1.8E+05     |
| V-48         | 1.4E-03       | 1.4E+00             | 1.4E+03     |
| V-49         | 1.3E+00       | 1.3E+03             | 1.3E+06     |
| W-181        | 1.1E-02       | 1.1E+01             | 1.1E+04     |
| W-185        | 1.6E-01       | 1.6E+02             | 1.6E+05     |
| W-187        | 1.1E-01       | 1.1E+02             | 1.1E+05     |
| W-188        | 1.0E-02       | 1.0E+01             | 1.0E+04     |
| Xe-122       | 7.6E-02       | 7.6E+01             | 7.6E+04     |
| Xe-123       | 1.6E+00       | 1.6E+03             | 1.6E+06     |
| Xe-125       | 6.0E-01       |                     |             |
| Xe-127       | 7.0E+00       |                     |             |
| Xe-129m      | 7.6E+01       |                     |             |
| Xe-131m      | 2.2E+02       |                     |             |
| Xe-133       | 5.2E+01       |                     |             |
| Xe-133m      | 6.0E+01       |                     |             |
| Xe-135       | 7.6E+00       |                     |             |
| Xe-135m      | 4.2E+00       |                     |             |
| Xe-138       | 9.9E-01       |                     |             |
| Y-86         | 2.8E-02       | 2.8E+01             | 2.8E+04     |
| Y-87         | 2.3E-02       | 2.3E+01             | 2.3E+04     |
| Y-88         | 2.5E-04       | 2.5E-01             | 2.5E+02     |
| Y-90         | 1.1E-01       | 1.1E+02             | 1.1E+05     |
| Y-90m        | 4.3E-01       | 4.3E+02             | 4.3E+05     |
| Y-91         | 1.8E-02       | 1.8E+01             | 1.8E+04     |
| Y-91m        | 1.6E+00       | 1.6E+03             | 1.6E+06     |
| Y-92         | 7.0E-01       | 7.0E+02             | 7.0E+05     |
| Y-93         | 3.8E-01       | 3.8E+02             | 3.8E+05     |
| Yb-169       | 5.5E-03       | 5.5E+00             | 5.5E+03     |
| Yb-175       | 2.1E-01       | 2.1E+02             | 2.1E+05     |
| Zn-62        | 8.6E-02       | 8.6E+01             | 8.6E+04     |
| Zn-65        | 4.4E-04       | 4.4E-01             | 4.4E+02     |
| Zn-69        | 2.7E+01       | 2.7E+04             | 2.7E+07     |
| Zn-69m       | 2.0E-01       | 2.0E+02             | 2.0E+05     |
| Zr-86        | 2.4E-02       | 2.4E+01             | 2.4E+04     |
| Zr-88        | 2.7E-04       | 2.7E-01             | 2.7E+02     |
| Zr-89        | 1.6E-02       | 1.6E+01             | 1.6E+04     |
| Zr-93        | 2.8E-03       | 2.8E+00             | 2.8E+03     |
| Zr-95        | 6.4E-04       | 6.4E-01             | 6.4E+02     |
| Zr-97        | 4.6E-02       | 4.6E+01             | 4.6E+04     |

\*Radionuclides boiling at 100 °C or less, or exposed to a temperature of 100 °C, must be considered a gas. Capsules containing radionuclides in liquid or powder form can be considered to be solids.

\*\*Mo-99 contained in a generator to produce Technetium-99 can be assumed to be a solid.

3. Table of Concentration Levels

(a) Table 2 may be used for determining if facilities are in compliance with the standard.

1. The concentration table as applied to emission estimates can only be used if all releases are from point sources and concentrations have been measured at the stack or vent using EPA-approved methods, and the distance between each stack or vent and the nearest resident is greater than 3 times the diameter of the stack or vent. Procedures provided in Ref. (1) shall be used to determine compliance or exemption from reporting by use of Table 2.

2. The concentration table may be used to determine compliance with the standard based on environmental measurements provided these measurements are made in conformance with the requirements of §61.107(b)(5).

4. NCRP Screening Model

The procedures described in Reference (4) may be used to determine doses to members of the general public from emissions of radionuclides to the atmosphere. Both the total dose from all radionuclides emitted, and the dose caused by radioactive iodine must be considered in accordance with the procedures in Ref. (1).

5. The COMPLY Computer Code

The COMPLY computer code may be used to determine compliance with subpart I. The compliance model in the COMPLY computer code may be used to determine the dose to members of the general public from emissions of radionuclides to the atmosphere. The EPA may add radionuclides to all or any part of COMPLY to cover radionuclides that may be used by the regulated community.

TABLE 2—CONCENTRATION LEVELS FOR ENVIRONMENTAL COMPLIANCE

| Radionuclide | Concentration (Ci/m <sup>3</sup> ) | Radionuclide | Concentration (Ci/m <sup>3</sup> ) |
|--------------|------------------------------------|--------------|------------------------------------|
| Ac-225       | 9.1E-14                            | Bi-207       | 1.0E-14                            |
| Ac-227       | 1.6E-16                            | Bi-210       | 2.9E-13                            |
| Ac-228       | 3.7E-12                            | Bi-212       | 5.6E-11                            |
| Ag-106       | 1.9E-09                            | Bi-213       | 7.1E-11                            |
| Ag-106m      | 1.2E-12                            | Bi-214       | 1.4E-10                            |
| Ag-108m      | 7.1E-15                            | Bk-249       | 5.6E-13                            |
| Ag-110m      | 9.1E-14                            | Bk-250       | 9.1E-11                            |
| Ag-111       | 2.5E-12                            | Br-77        | 4.2E-11                            |
| Al-26        | 4.8E-15                            | Br-80        | 1.4E-08                            |

TABLE 2—CONCENTRATION LEVELS FOR ENVIRONMENTAL COMPLIANCE—Continued

| Radionuclide | Concentration (Ci/m <sup>3</sup> ) | Radionuclide | Concentration (Ci/m <sup>3</sup> ) |
|--------------|------------------------------------|--------------|------------------------------------|
| Am-241       | 1.9E-15                            | Br-80m       | 1.8E-09                            |
| Am-242       | 1.5E-11                            | Br-82        | 1.2E-11                            |
| Am-242m      | 2.0E-15                            | Br-83        | 1.2E-08                            |
| Am-243       | 1.8E-15                            | Br-84        | 6.7E-10                            |
| Am-244       | 4.0E-11                            | C-11         | 1.5E-09                            |
| Am-245       | 8.3E-09                            | C-14         | 1.0E-11                            |
| Am-246       | 1.2E-09                            | Ca-41        | 4.2E-13                            |
| Ar-37        | 1.6E-03                            | Ca-45        | 1.3E-12                            |
| Ar-41        | 1.7E-09                            | Ca-47        | 2.4E-12                            |
| As-72        | 2.4E-11                            | Cd-109       | 5.9E-13                            |
| As-73        | 1.1E-11                            | Cd-113       | 9.1E-15                            |
| As-74        | 2.2E-12                            | Cd-113m      | 1.7E-14                            |
| As-76        | 5.0E-11                            | Cd-115       | 1.6E-11                            |
| As-77        | 1.6E-10                            | Cd-115m      | 8.3E-13                            |
| At-211       | 1.1E-11                            | Cd-117       | 6.7E-11                            |
| Au-193       | 3.8E-10                            | Cd-117m      | 1.6E-10                            |
| Au-194       | 3.2E-11                            | Ce-139       | 2.6E-12                            |
| Au-195       | 3.1E-12                            | Ce-141       | 6.3E-12                            |
| Au-198       | 2.1E-11                            | Ce-143       | 3.0E-11                            |
| Au-199       | 4.8E-11                            | Ce-144       | 6.2E-13                            |
| Ba-131       | 7.1E-12                            | Cf-248       | 1.8E-14                            |
| Ba-133       | 5.9E-14                            | Cf-249       | 1.4E-15                            |
| Ba-133m      | 5.9E-11                            | Cf-250       | 3.2E-15                            |
| Ba-135m      | 1.8E-10                            | Cf-251       | 1.4E-15                            |
| Ba-139       | 5.6E-09                            | Cf-252       | 5.6E-15                            |
| Ba-140       | 1.3E-12                            | Cf-253       | 3.1E-13                            |
| Ba-141       | 1.4E-09                            | Cf-254       | 3.0E-15                            |
| Ba-142       | 1.3E-09                            | Cl-36        | 2.7E-15                            |
| Be-7         | 2.3E-11                            | Cl-38        | 7.7E-10                            |
| Be-10        | 1.6E-12                            | Cm-242       | 5.3E-14                            |
| Bi-206       | 2.3E-12                            | Cm-243       | 2.6E-15                            |
| Cm-244       | 3.3E-15                            | Eu-156       | 1.9E-12                            |
| Cm-245       | 1.8E-15                            | F-18         | 6.7E-10                            |
| Cm-246       | 1.9E-15                            | Fe-52        | 5.6E-11                            |
| Cm-247       | 1.9E-15                            | Fe-55        | 9.1E-12                            |
| Cm-248       | 5.0E-16                            | Fe-59        | 6.7E-13                            |
| Cm-249       | 3.7E-09                            | Fm-254       | 2.0E-11                            |
| Cm-250       | 9.1E-17                            | Fm-255       | 4.3E-12                            |
| Co-56        | 1.8E-13                            | Fr-223       | 3.3E-11                            |
| Co-57        | 1.3E-12                            | Ga-66        | 6.2E-11                            |
| Co-58        | 6.7E-13                            | Ga-67        | 7.1E-11                            |
| Co-58m       | 1.2E-10                            | Ga-68        | 9.1E-10                            |
| Co-60        | 1.7E-14                            | Ga-72        | 3.8E-11                            |
| Co-60m       | 4.3E-09                            | Gd-152       | 5.0E-15                            |
| Co-61        | 4.5E-09                            | Gd-153       | 2.1E-12                            |
| Cr-49        | 1.1E-09                            | Gd-159       | 2.9E-10                            |
| Cr-51        | 3.1E-11                            | Ge-68        | 2.0E-13                            |
| Cs-129       | 1.4E-10                            | Ge-71        | 2.4E-10                            |
| Cs-131       | 3.3E-11                            | Ge-77        | 1.0E-10                            |
| Cs-132       | 4.8E-12                            | H-3          | 1.5E-09                            |
| Cs-134       | 2.7E-14                            | Hf-181       | 1.9E-12                            |
| Cs-134m      | 1.7E-10                            | Hg-193m      | 1.0E-10                            |
| Cs-135       | 4.0E-13                            | Hg-197       | 8.3E-11                            |
| Cs-136       | 5.3E-13                            | Hg-197m      | 1.1E-10                            |
| Cs-137       | 1.9E-14                            | Hg-203       | 1.0E-12                            |
| Cs-138       | 5.3E-10                            | Ho-166       | 7.1E-11                            |
| Cu-61        | 4.8E-10                            | Ho-166m      | 7.1E-15                            |
| Cu-64        | 5.3E-10                            | I-123        | 4.3E-10                            |
| Cu-67        | 5.0E-11                            | I-124        | 6.2E-13                            |
| Dy-157       | 5.0E-10                            | I-125        | 1.2E-13                            |
| Dy-165       | 6.7E-09                            | I-126        | 1.1E-13                            |
| Dy-166       | 1.1E-11                            | I-128        | 1.1E-08                            |
| Er-169       | 2.9E-11                            | I-129        | 9.1E-15                            |
| Er-171       | 4.0E-10                            | I-130        | 4.5E-11                            |
| Es-253       | 2.4E-13                            | I-131        | 2.1E-13                            |
| Es-254       | 2.0E-14                            | I-132        | 2.3E-10                            |
| Es-254m      | 1.8E-12                            | I-133        | 2.0E-11                            |
| Eu-152       | 2.0E-14                            | I-134        | 3.8E-10                            |
| Eu-152m      | 3.6E-10                            | I-135        | 1.2E-10                            |
| Eu-154       | 2.3E-14                            | In-111       | 3.6E-11                            |

TABLE 2—CONCENTRATION LEVELS FOR ENVIRONMENTAL COMPLIANCE—Continued

| Radionuclide | Concentration (Ci/m <sup>3</sup> ) | Radionuclide | Concentration (Ci/m <sup>3</sup> ) |
|--------------|------------------------------------|--------------|------------------------------------|
| Eu-155       | 5.9E-13                            | In-113m      | 2.5E-09                            |
| In-114m      | 9.1E-13                            | Nb-95        | 2.2E-12                            |
| In-115       | 7.1E-14                            | Nb-95m       | 1.4E-11                            |
| In-115m      | 1.6E-09                            | Nb-96        | 2.4E-11                            |
| In-116m      | 4.2E-10                            | Nb-97        | 1.2E-09                            |
| In-117       | 1.6E-09                            | Nd-147       | 7.7E-12                            |
| In-117m      | 9.1E-11                            | Nd-149       | 7.1E-10                            |
| Ir-190       | 2.6E-12                            | Ni-56        | 1.7E-12                            |
| Ir-192       | 9.1E-13                            | Ni-57        | 1.8E-11                            |
| Ir-194       | 1.1E-10                            | Ni-59        | 1.5E-11                            |
| Ir-194m      | 1.7E-13                            | Ni-63        | 1.4E-11                            |
| K-40         | 2.7E-14                            | Ni-65        | 8.3E-10                            |
| K-42         | 2.6E-10                            | Np-235       | 2.5E-11                            |
| K-43         | 6.2E-11                            | Np-237       | 1.2E-15                            |
| K-44         | 5.9E-10                            | Np-238       | 1.4E-11                            |
| Kr-79        | 8.3E-09                            | Np-239       | 3.8E-11                            |
| Kr-81        | 2.1E-07                            | Np-240       | 7.7E-10                            |
| Kr-83m       | 2.3E-05                            | Np-240m      | 5.6E-09                            |
| Kr-85        | 1.0E-06                            | Os-185       | 1.0E-12                            |
| Kr-85m       | 1.3E-08                            | Os-191m      | 2.9E-10                            |
| Kr-87        | 2.4E-09                            | Os-191       | 1.1E-11                            |
| Kr-88        | 5.0E-10                            | Os-193       | 9.1E-11                            |
| La-140       | 1.2E-11                            | P-32         | 3.3E-13                            |
| La-141       | 7.7E-10                            | P-33         | 2.4E-12                            |
| La-142       | 2.7E-10                            | Pa-230       | 3.2E-13                            |
| Lu-177       | 2.4E-11                            | Pa-231       | 5.9E-16                            |
| Lu-177m      | 3.6E-13                            | Pa-233       | 4.8E-12                            |
| Mg-28        | 1.5E-11                            | Pa-234       | 1.1E-10                            |
| Mn-52        | 2.8E-12                            | Pb-203       | 6.2E-11                            |
| Mn-52m       | 6.2E-10                            | Pb-205       | 5.6E-12                            |
| Mn-53        | 1.5E-11                            | Pb-209       | 1.3E-08                            |
| Mn-54        | 2.8E-13                            | Pb-210       | 2.8E-15                            |
| Mn-56        | 2.9E-10                            | Pb-211       | 1.4E-10                            |
| Mo-93        | 1.1E-12                            | Pb-212       | 6.3E-12                            |
| Mo-99        | 1.4E-11                            | Pb-214       | 1.2E-10                            |
| Mo-101       | 1.0E-09                            | Pd-103       | 3.8E-11                            |
| Na-22        | 2.6E-14                            | Pd-107       | 3.1E-11                            |
| Na-24        | 2.6E-11                            | Pd-109       | 4.8E-10                            |
| Nb-90        | 2.6E-11                            | Pm-143       | 9.1E-13                            |
| Nb-93m       | 1.0E-11                            | Pm-144       | 1.3E-13                            |
| Nb-94        | 7.1E-15                            | Pm-145       | 6.2E-13                            |
| Pm-146       | 5.3E-14                            | Re-184m      | 3.7E-13                            |
| Pm-147       | 1.1E-11                            | Re-186       | 1.8E-11                            |
| Pm-148       | 5.0E-12                            | Re-187       | 2.6E-10                            |
| Pm-148m      | 6.7E-13                            | Re-188       | 1.7E-10                            |
| Pm-149       | 4.2E-11                            | Rh-103m      | 2.1E-07                            |
| Pm-151       | 7.1E-11                            | Rh-105       | 1.3E-10                            |
| Po-210       | 7.1E-15                            | Ru-97        | 6.7E-11                            |
| Pr-142       | 1.1E-10                            | Ru-103       | 2.6E-12                            |
| Pr-143       | 7.1E-12                            | Ru-105       | 2.8E-10                            |
| Pr-144       | 1.8E-08                            | Ru-106       | 3.4E-13                            |
| Pt-191       | 4.3E-11                            | S-35         | 1.3E-12                            |
| Pt-193       | 1.8E-11                            | Sb-117       | 2.4E-09                            |
| Pt-193m      | 4.8E-11                            | Sb-122       | 1.4E-11                            |
| Pt-195m      | 3.2E-11                            | Sb-124       | 5.3E-13                            |
| Pt-197       | 4.0E-10                            | Sb-125       | 1.6E-13                            |
| Pt-197m      | 2.6E-09                            | Sb-126       | 1.4E-12                            |
| Pu-236       | 5.9E-15                            | Sb-126m      | 9.1E-10                            |
| Pu-237       | 1.9E-11                            | Sb-127       | 7.1E-12                            |
| Pu-238       | 2.1E-15                            | Sb-129       | 7.7E-11                            |
| Pu-239       | 2.0E-15                            | Sc-44        | 1.7E-10                            |
| Pu-240       | 2.0E-15                            | Sc-46        | 4.2E-13                            |
| Pu-241       | 1.0E-13                            | Sc-47        | 3.8E-11                            |
| Pu-242       | 2.0E-15                            | Sc-48        | 9.1E-12                            |
| Pu-243       | 4.2E-09                            | Sc-49        | 1.2E-08                            |
| Pu-244       | 2.0E-15                            | Se-73        | 1.7E-10                            |
| Pu-245       | 2.1E-10                            | Se-75        | 1.7E-13                            |
| Pu-246       | 2.2E-12                            | Se-79        | 1.1E-13                            |
| Ra-223       | 4.2E-14                            | Si-31        | 5.6E-09                            |
| Ra-224       | 1.5E-13                            | Si-32        | 3.4E-14                            |

TABLE 2—CONCENTRATION LEVELS FOR ENVIRONMENTAL COMPLIANCE—Continued

| Radionuclide | Concentration (Ci/m <sup>3</sup> ) | Radionuclide | Concentration (Ci/m <sup>3</sup> ) |
|--------------|------------------------------------|--------------|------------------------------------|
| Ra-225       | 5.0E-14                            | Sm-147       | 1.4E-14                            |
| Ra-226       | 3.3E-15                            | Sm-151       | 2.1E-11                            |
| Ra-228       | 5.9E-15                            | Sm-153       | 5.9E-11                            |
| Rb-81        | 5.0E-10                            | Sn-113       | 1.4E-12                            |
| Rb-83        | 3.4E-13                            | Sn-117m      | 5.6E-12                            |
| Rb-84        | 3.6E-13                            | Sn-119m      | 5.3E-12                            |
| Rb-86        | 5.6E-13                            | Sn-123       | 1.1E-12                            |
| Rb-87        | 1.6E-13                            | Sn-125       | 1.7E-12                            |
| Rb-88        | 2.1E-09                            | Sn-126       | 5.3E-15                            |
| Rb-89        | 7.1E-10                            | Sr-82        | 6.2E-13                            |
| Re-184       | 1.5E-12                            | Sr-85        | 1.8E-12                            |
| Sr-85m       | 1.6E-09                            | Th-232       | 6.2E-16                            |
| Sr-87m       | 1.4E-09                            | Th-234       | 2.2E-12                            |
| Sr-89        | 1.8E-12                            | Ti-44        | 6.2E-15                            |
| Sr-90        | 1.9E-14                            | Ti-45        | 4.8E-10                            |
| Sr-91        | 9.1E-11                            | Ti-200       | 4.5E-11                            |
| Sr-92        | 2.9E-10                            | Ti-201       | 1.0E-10                            |
| Ta-182       | 4.5E-13                            | Ti-202       | 5.0E-12                            |
| Tb-157       | 2.5E-12                            | Ti-204       | 1.2E-12                            |
| Tb-160       | 7.7E-13                            | Tm-170       | 3.3E-12                            |
| Tc-95        | 1.0E-10                            | Tm-171       | 2.6E-11                            |
| Tc-95m       | 1.4E-12                            | U-230        | 1.5E-14                            |
| Tc-96        | 5.6E-12                            | U-231        | 4.2E-11                            |
| Tc-96m       | 6.7E-10                            | U-232        | 1.3E-15                            |
| Tc-97        | 7.1E-13                            | U-233        | 7.1E-15                            |
| Tc-97m       | 7.1E-12                            | U-234        | 7.7E-15                            |
| Tc-98        | 6.7E-15                            | U-235        | 7.1E-15                            |
| Tc-99        | 1.4E-13                            | U-236        | 7.7E-15                            |
| Tc-99m       | 1.7E-09                            | U-237        | 1.0E-11                            |
| Tc-101       | 4.5E-09                            | U-238        | 8.3E-15                            |
| Te-121       | 1.0E-12                            | U-239        | 4.3E-09                            |
| Te-121m      | 1.2E-13                            | U-240        | 1.3E-10                            |
| Te-123       | 1.4E-13                            | V-48         | 1.0E-12                            |
| Te-123m      | 2.0E-13                            | V-49         | 1.6E-10                            |
| Te-125m      | 3.6E-13                            | W-181        | 6.7E-12                            |
| Te-127       | 1.0E-09                            | W-185        | 2.6E-12                            |
| Te-127m      | 1.5E-13                            | W-187        | 7.7E-11                            |
| Te-129       | 7.7E-09                            | W-188        | 5.3E-13                            |
| Te-129m      | 1.4E-13                            | Xe-122       | 9.1E-11                            |
| Te-131       | 9.1E-11                            | Xe-123       | 1.6E-09                            |
| Te-131m      | 1.0E-12                            | Xe-125       | 1.1E-11                            |
| Te-132       | 7.1E-13                            | Xe-127       | 8.3E-09                            |
| Te-133       | 9.1E-10                            | Xe-129m      | 9.1E-08                            |
| Te-133m      | 2.2E-10                            | Xe-131m      | 2.6E-07                            |
| Te-134       | 5.3E-10                            | Xe-133       | 6.2E-08                            |
| Th-226       | 3.4E-11                            | Xe-133m      | 7.1E-08                            |
| Th-227       | 3.8E-14                            | Xe-135       | 9.1E-09                            |
| Th-228       | 3.1E-15                            | Xe-135m      | 5.0E-09                            |
| Th-229       | 5.3E-16                            | Xe-138       | 1.2E-09                            |
| Th-230       | 3.4E-15                            | Y-86         | 3.0E-11                            |
| Th-231       | 2.9E-10                            | Y-87         | 1.7E-11                            |
| Y-88         | 2.7E-13                            | Zn-65        | 9.1E-14                            |
| Y-90         | 1.3E-11                            | Zn-69        | 3.2E-08                            |
| Y-90m        | 1.9E-10                            | Zn-69m       | 1.7E-10                            |
| Y-91         | 2.1E-12                            | Zr-86        | 2.4E-11                            |
| Y-91m        | 1.3E-09                            | Zr-88        | 3.1E-13                            |
| Y-92         | 8.3E-10                            | Zr-89        | 1.3E-11                            |
| Y-93         | 2.9E-10                            | Zr-93        | 2.6E-12                            |
| Yb-169       | 3.7E-12                            | Zr-95        | 6.7E-13                            |
| Yb-175       | 4.3E-11                            | Zr-97        | 3.8E-11                            |
| Zn-62        | 9.1E-11                            |              |                                    |

6. References

(1) Environmental Protection Agency, "A Guide for Determining Compliance with the Clean Air Act Standards for Radionuclides

Emissions from NRC-Licensed and Non-DOE Federal Facilities", EPA 520/1-89-002, October 1989.

**Pt. 62**

(2) Environmental Protection Agency, "User's Guide for the COMPLY Code", EPA 520/1-89-003, October 1989.

(3) Environmental Protection Agency, "Background Information Document: Procedures Approved for Demonstrating Compliance with 40 CFR Part 61, Subpart I", EPA 520/1-89-001, January 1989.

(4) National Council on Radiation Protection and Measurement, "Screening Techniques for Determining Compliance with Environmental Standards" NCRP Commentary No. 3, Revision of January 1989 with addendum of October, 1989.

[54 FR 51711, Dec. 15, 1989]

**PART 62—APPROVAL AND PROMULGATION OF STATE PLANS FOR DESIGNATED FACILITIES AND POLLUTANTS**

**Subpart A—General Provisions**

Sec.

- 62.01 Definitions.
- 62.02 Introduction.
- 62.03 Extensions.
- 62.04 Approval status.
- 62.05 Legal authority.
- 62.06 Negative declarations.
- 62.07 Emissions standards, compliance schedules.
- 62.08 Emission inventories and source surveillance.
- 62.09 Revision of plans by Administrator.
- 62.10 Submission to Administrator.
- 62.11 Severability.
- 62.12 Availability of applicable plans.
- 62.13 Federal plans.

**Subpart B—Alabama**

PLAN FOR THE CONTROL OF DESIGNATED POLLUTANTS FROM EXISTING FACILITIES (SECTION 111(d) PLAN)

62.100 Identification of plan.

SULFURIC ACID MIST FROM EXISTING SULFURIC ACID PLANTS

62.101 Identification of sources.

FLUORIDE EMISSIONS FROM PHOSPHATE FERTILIZER PLANTS

62.102 Identification of sources.

LANDFILL GAS EMISSIONS FROM EXISTING MUNICIPAL SOLID WASTE LANDFILLS

62.103 Identification of sources.

**40 CFR Ch. I (7-1-00 Edition)**

METALS, ACID GASES, ORGANIC COMPOUNDS AND NITROGEN OXIDE EMISSIONS FROM EXISTING MUNICIPAL WASTE COMBUSTORS WITH THE CAPACITY TO COMBUST GREATER THAN 250 TONS PER DAY OF MUNICIPAL SOLID WASTE

62.104 Identification of sources.

AIR EMISSIONS FROM HOSPITAL/MEDICAL/INFECTIOUS WASTE INCINERATORS

62.105 Identification of sources.

**Subpart C—Alaska**

FLUORIDE EMISSIONS FROM PHOSPHATE FERTILIZER PLANTS

62.350 Identification of plan—negative declaration.

ACID MIST FROM SULFURIC ACID PLANTS

62.351 Identification of plan—negative declaration.

TOTAL REDUCED SULFUR EMISSIONS FROM KRAFT PULP MILLS

62.352 Identification of plan—negative declaration.

FLUORIDE EMISSIONS FROM PRIMARY ALUMINUM REDUCTION PLANTS

62.353 Identification of plan—negative declaration.

EMISSIONS FROM EXISTING MUNICIPAL WASTE COMBUSTORS WITH THE CAPACITY TO BURN GREATER THAN 250 TONS PER DAY OF MUNICIPAL SOLID WASTE

62.354 Identification of plan—negative declaration.

**Subpart D—Arizona**

LANDFILL GAS EMISSIONS FROM EXISTING MUNICIPAL SOLID WASTE LANDFILLS

62.600 Identification of plan.

62.601 Identification of sources.

62.602 Effective date.

EMISSIONS FROM EXISTING MUNICIPAL WASTE COMBUSTORS WITH THE CAPACITY TO BURN GREATER THAN 250 TONS PER DAY OF MUNICIPAL SOLID WASTE

62.620 Identification of plan—negative declaration.

EMISSIONS FROM EXISTING HOSPITAL/MEDICAL/INFECTIOUS WASTE INCINERATORS

62.630 Identification of plan.

62.631 Identification of sources.

62.632 Effective date.